



## Ceiling-mount type Centrifugal fan



**HIGH PERFORMANCE**

**SUPER QUIET SERIES**



**2 YEAR WARRANTY**

BRANCH OF BIN MAHRI TRADING EST.  
JEDDAH - SAUDI ARABIA.  
TEL; + 966 12 284 2402  
FAX: + 966 12 2842557  
E-MAIL: [hbmvent@hbm-sa.com](mailto:hbmvent@hbm-sa.com)  
Website: [hbm-sa.com](http://hbm-sa.com)

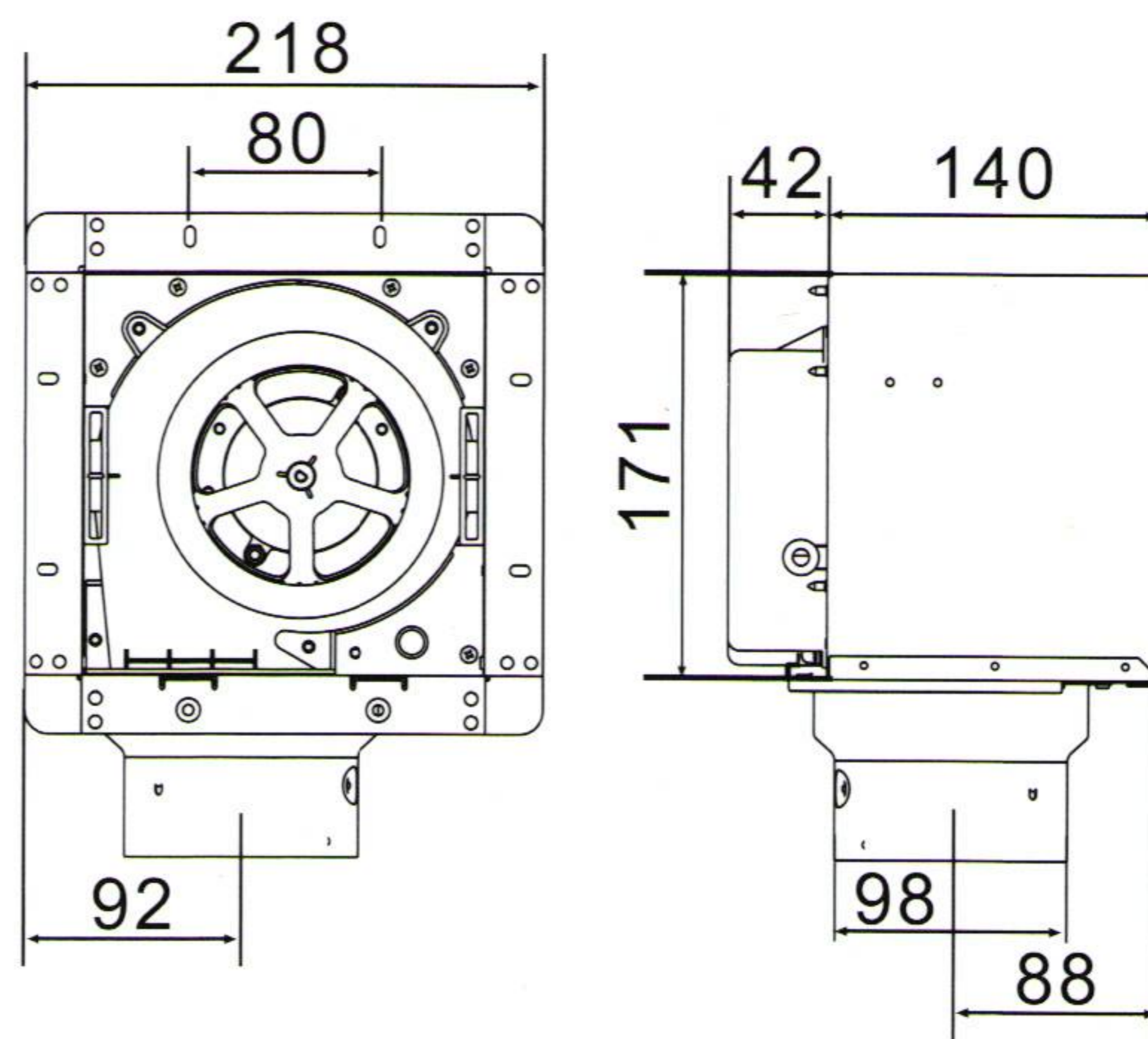


## CEF17

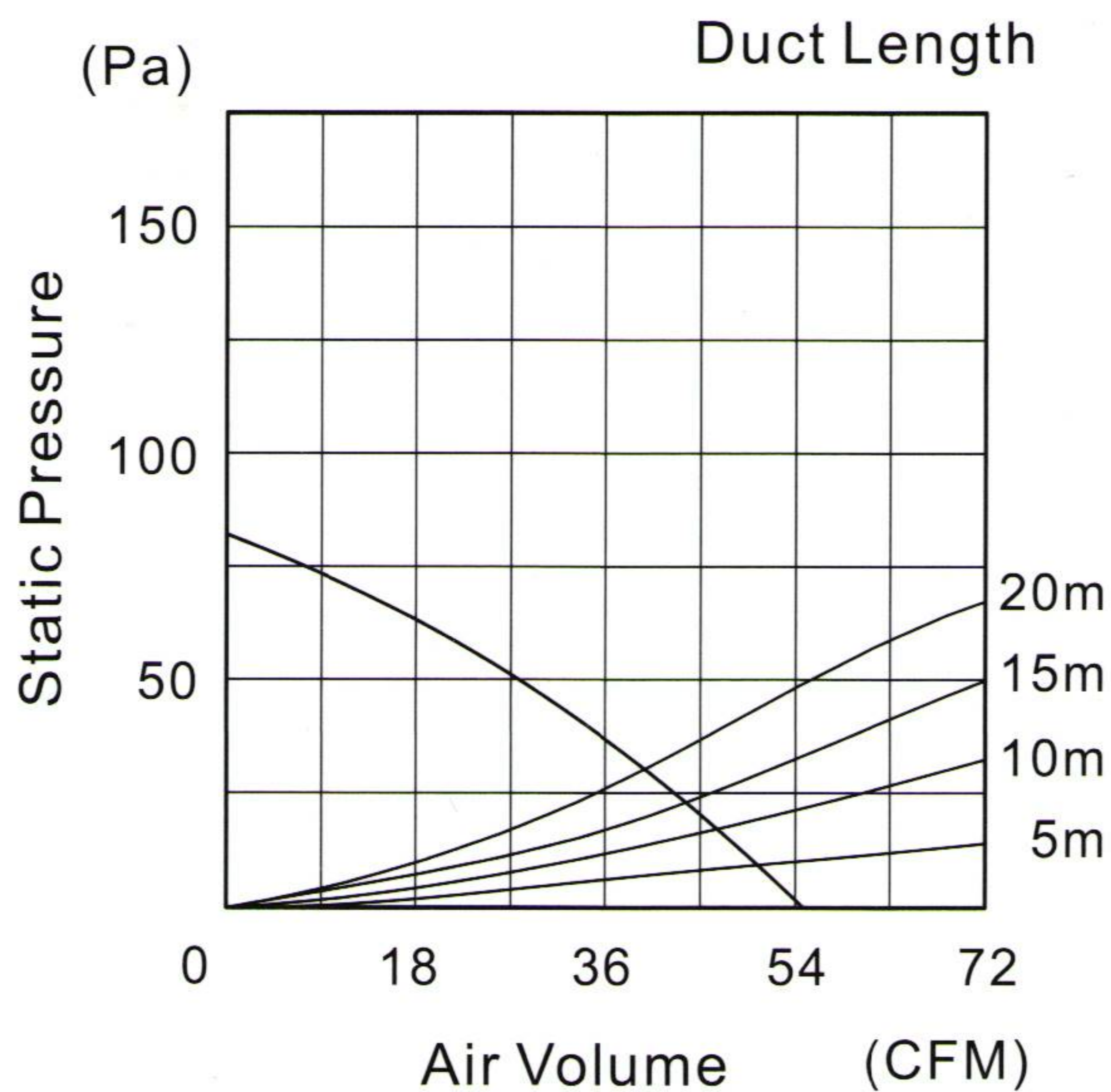
### Description

- Centrifugal Fan (Tubular Sirocco).
- Capacitor motor, built-in thermal cut-out, 100% copper.
- Long life Ball bearing.
- High performance & super quiet.
- Metal housing with rust-proof painting.
- Contemporary design of Top quality ABS Front panel.

### DIMENSIONS (mm)



### Performance Data



### SPECIFICATIONS

Model	Size mm	Volt V	Freq Hz	Power W	RPM	Air Volume CFM	S.P. Pa	Noise dB
CEF17	100	220	60	15	800	55	80	32
		220	50	13	790	52	75	32



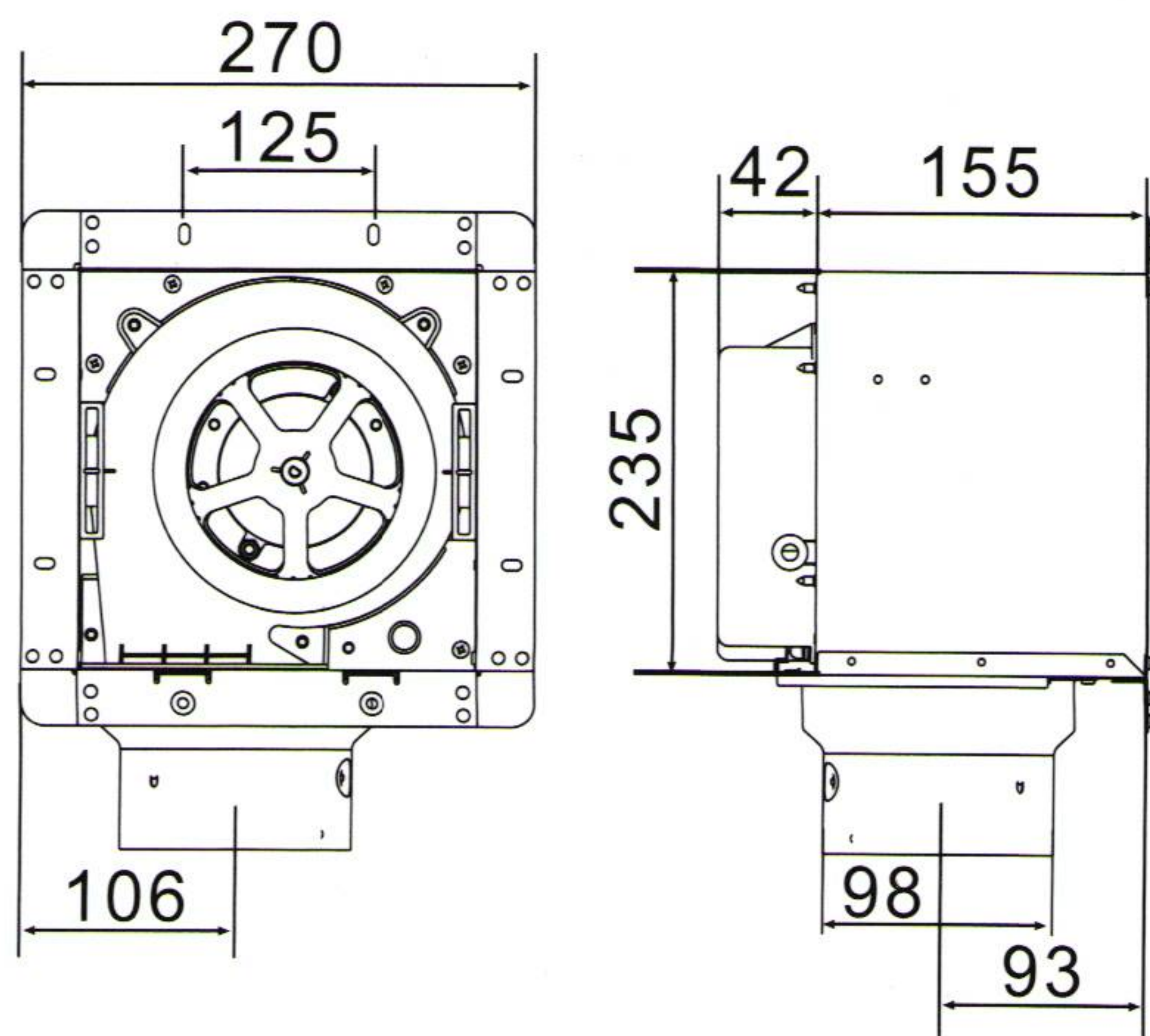
## CEF24

### Description

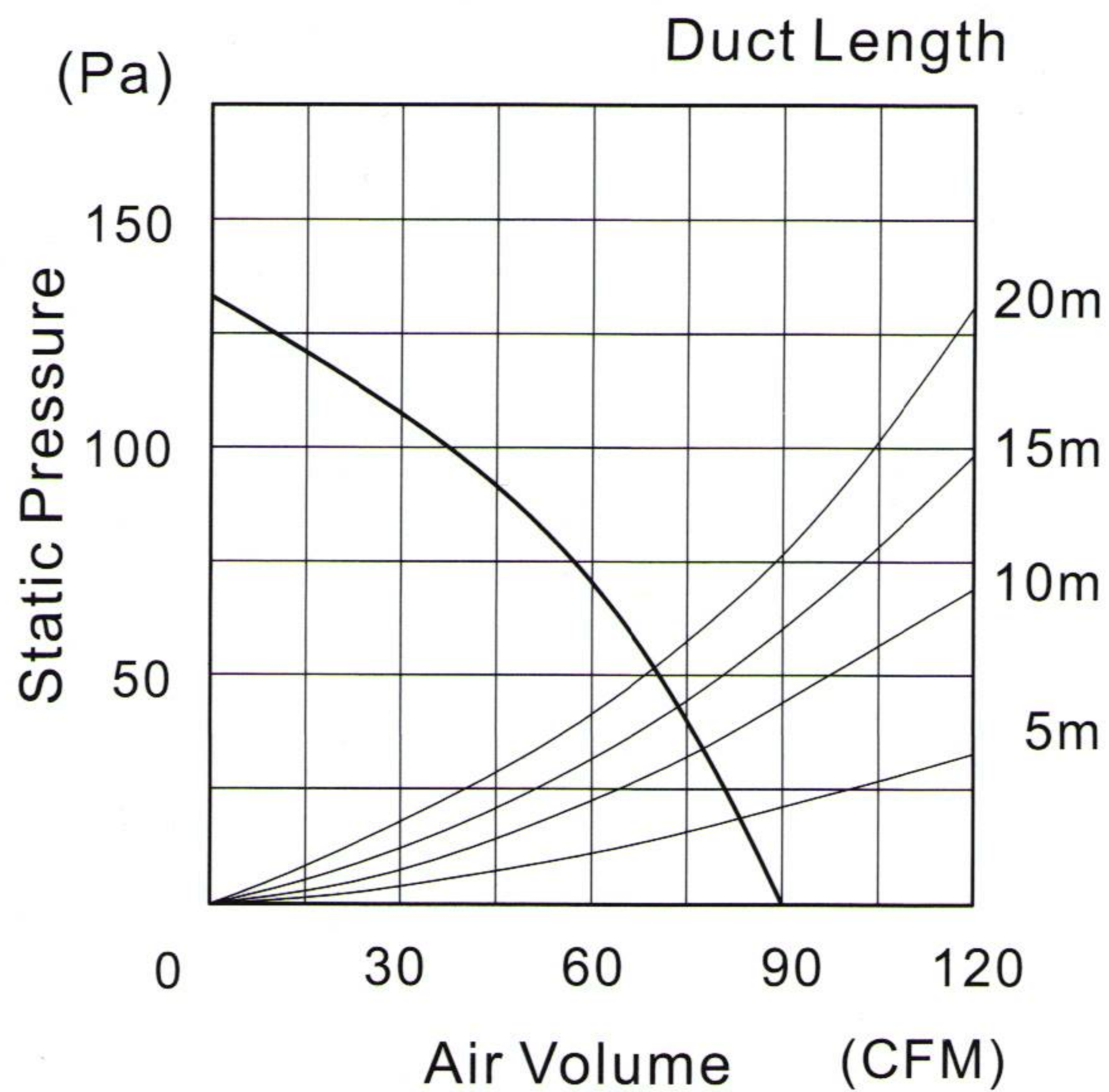
- Centrifugal Fan (Tubular Sirocco).
- Capacitor motor, built-in thermal cut-out, 100% copper.
- Long life Ball bearing.
- High performance & super quiet.
- Metal housing with rust-proof painting.
- Contemporary design of Top quality ABS Front panel.



### DIMENSIONS (mm)



### Performance Data



### SPECIFICATIONS

Model	Size mm	Volt V	Freq Hz	Power W	RPM	Air Volume CFM	S.P. Pa	Noise dB
CEF24	100	220	60	20	740	90	130	36
		220	50	18	750	92	100	35



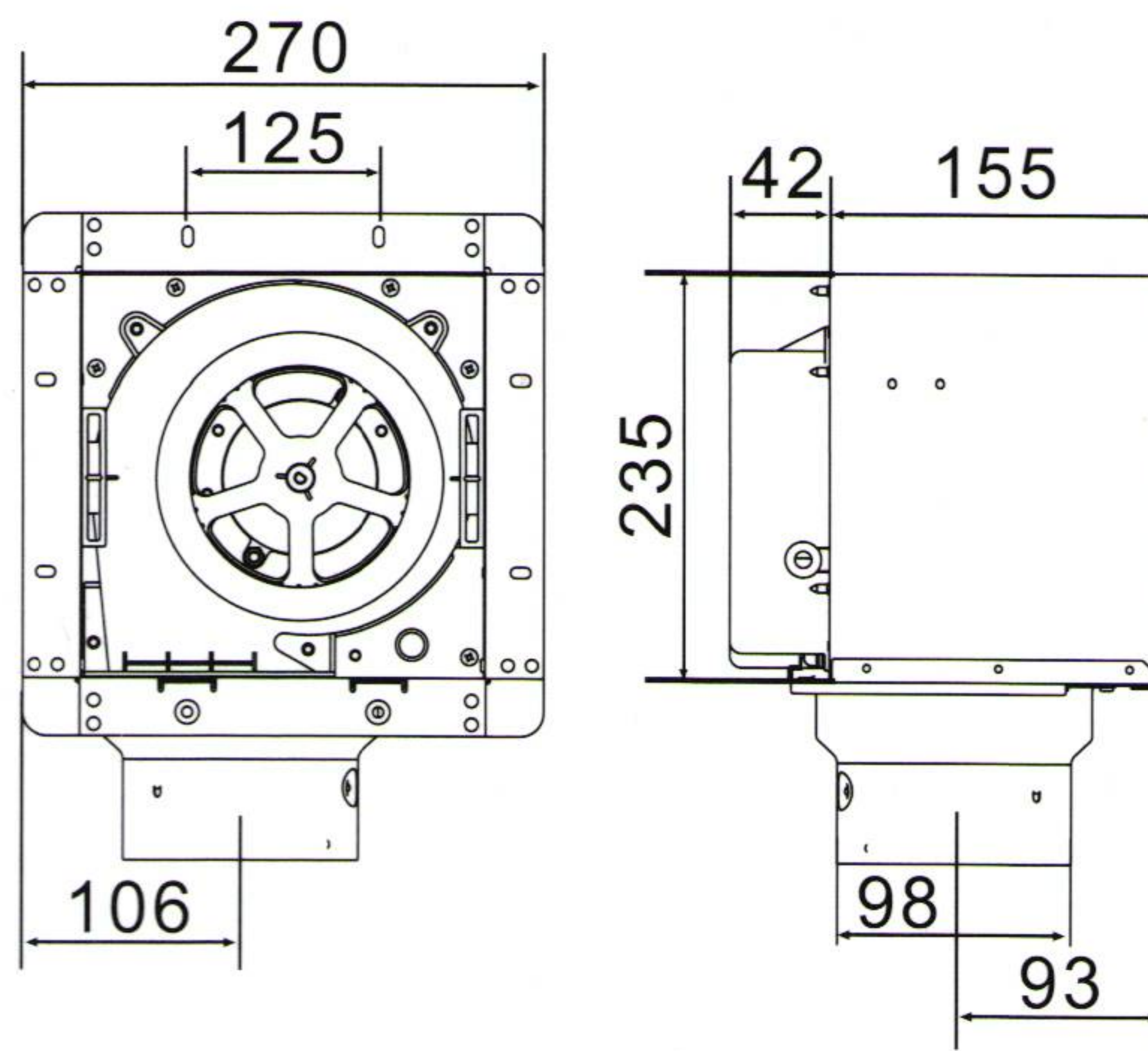
## CSF24

### Description

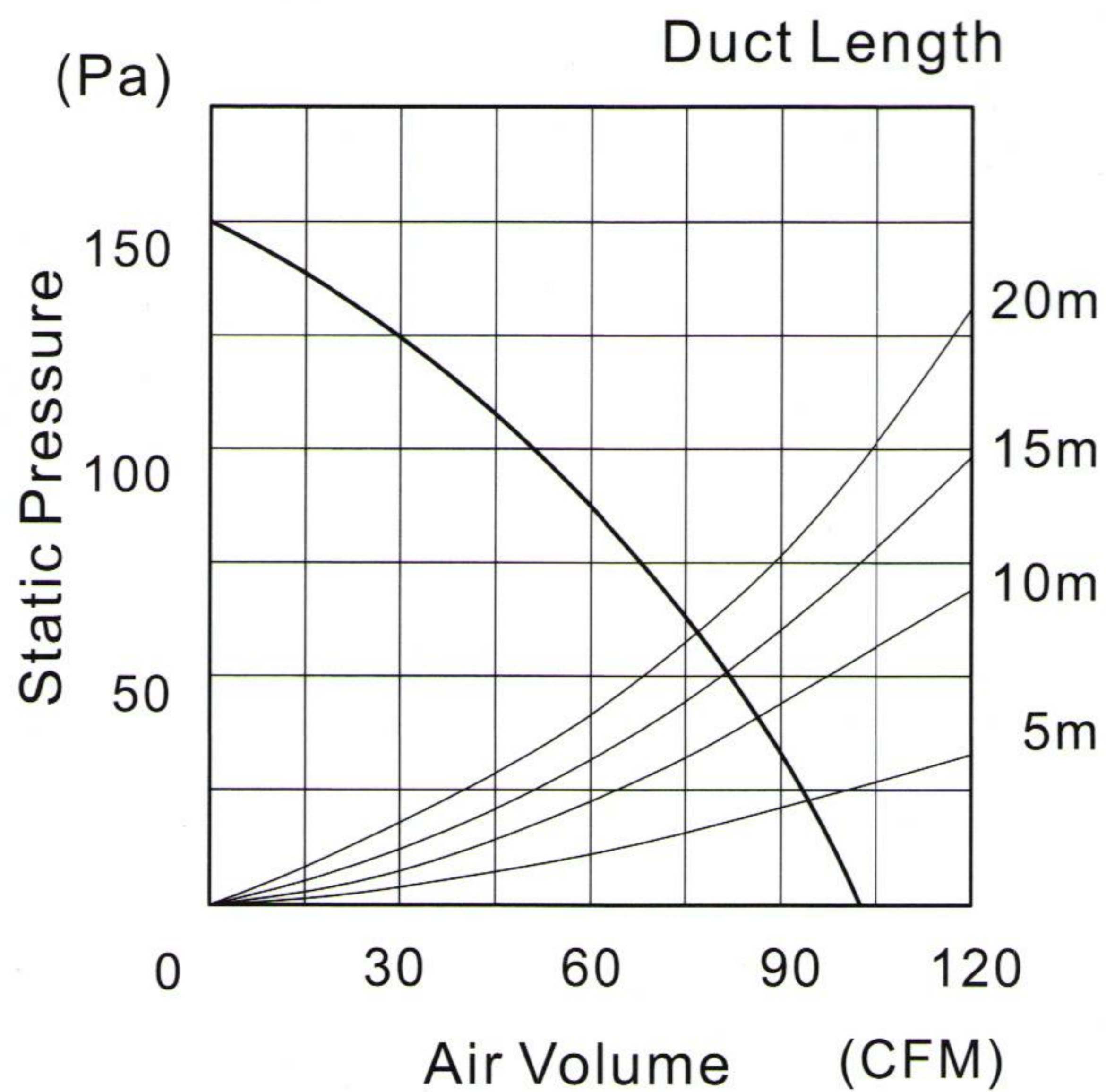
- Centrifugal Fan (Tubular Sirocco).
- Capacitor motor, built-in thermal cut-out, 100% copper.
- Long life Ball bearing.
- High performance & super quiet.
- Metal housing with rust-proof painting.
- Contemporary design of Top quality ABS Front panel.



### DIMENSIONS (mm)



### Performance Data



### SPECIFICATIONS

Model	Size mm	Volt V	Freq Hz	Power W	RPM	Air Volume CFM	S.P. Pa	Noise dB
CSF24	100	220	60	24	830	107	151	40
		220	50	22	820	110	110	40



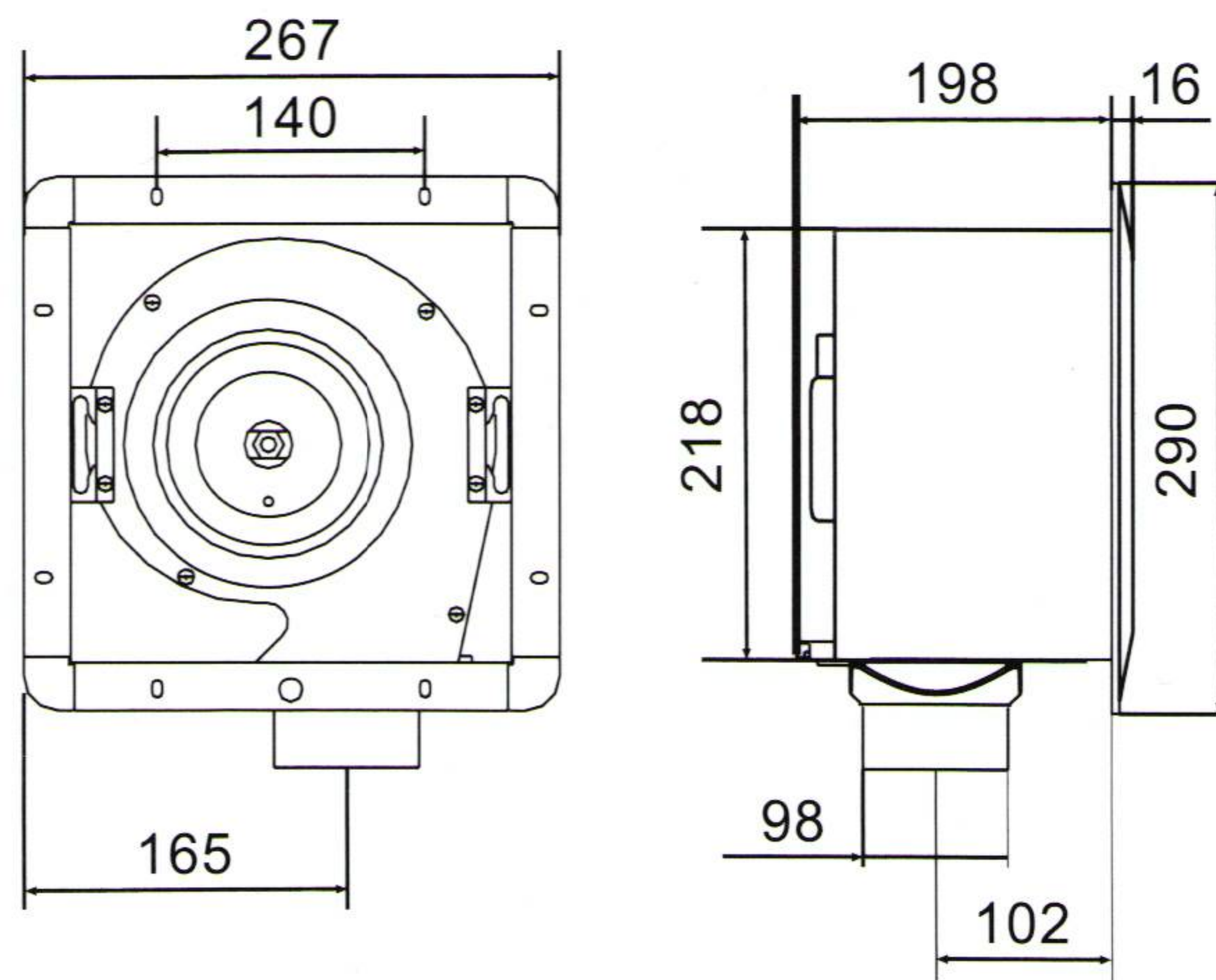
## CEF23MS

### Description

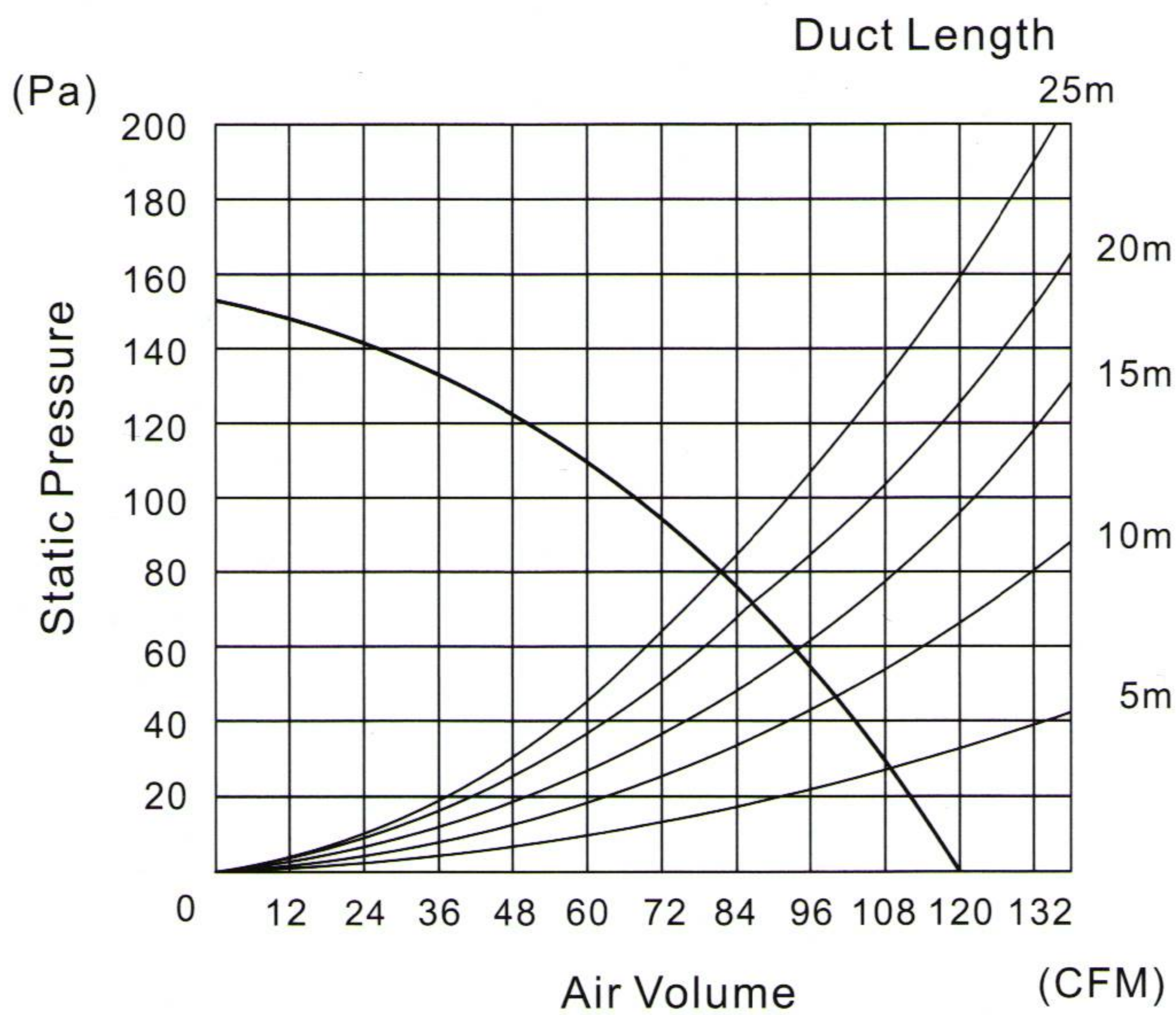
- Centrifugal Fan (Tubular Sirocco).
- Capacitor motor, built-in thermal cut-out, 100% copper.
- Long life Ball bearing.
- High performance & super quiet.
- Metal housing with rust-proof painting and Metal blower for high air volume.
- Contemporary design of Top quality ABS Front panel.



### DIMENSIONS (mm)



### Performance Data



### SPECIFICATIONS

Model	Size mm	Volt V	Freq Hz	Power W	RPM	Air Volume CFM	S.P. Pa	Noise dB
CEF23MS	100	220	60	29	1083	120	153	42
		220	50	27	1082	120	153	43



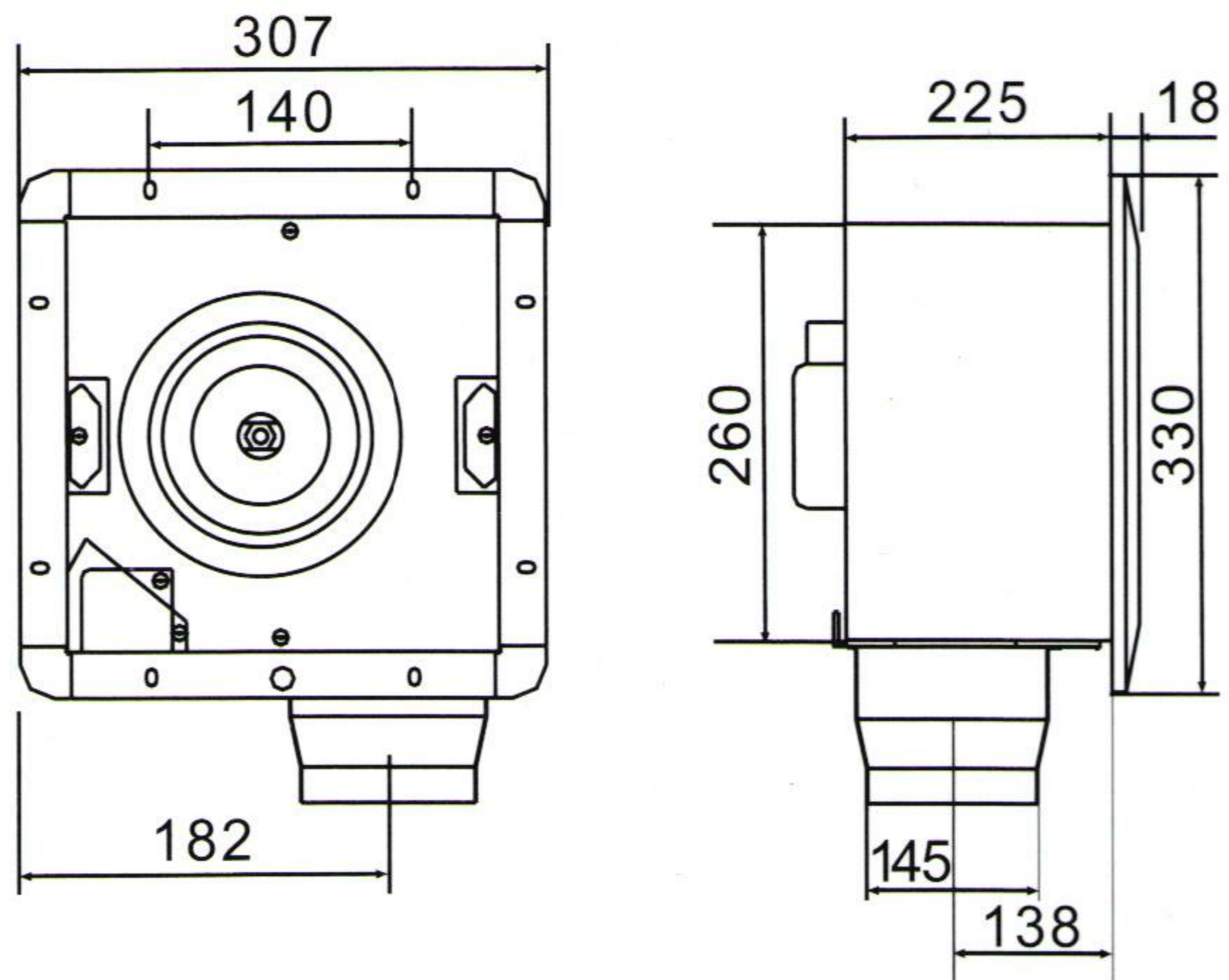
## CEF27MS

### Description

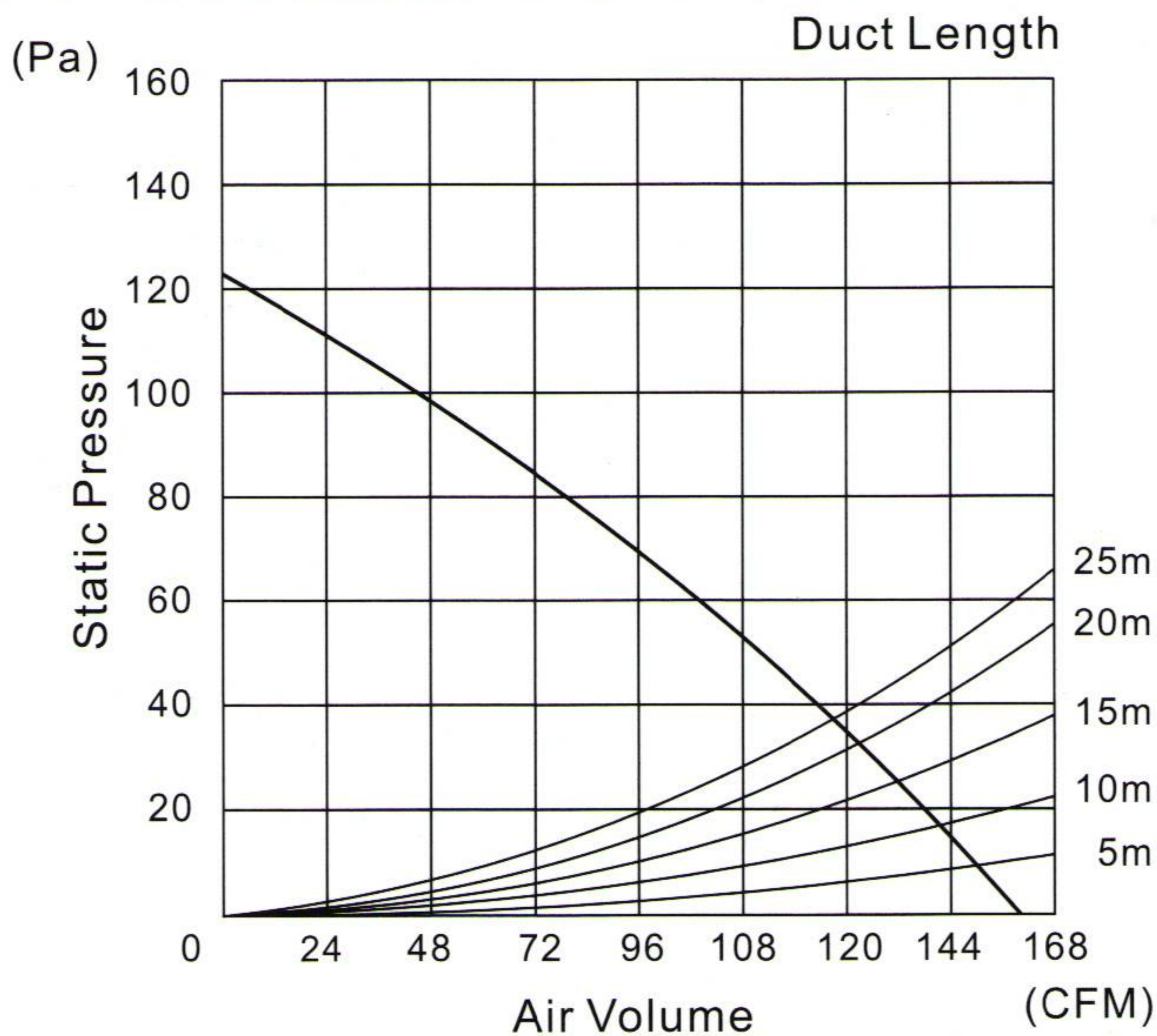
- Centrifugal Fan (Tubular Sirocco).
- Capacitor motor, built-in thermal cut-out, 100% copper.
- Long life Ball bearing.
- High performance & super quiet.
- Metal housing with rust-proof painting and Metal blower for high air volume.
- Contemporary design of Top quality ABS Front panel.



### DIMENSIONS (mm)



### Performance Data

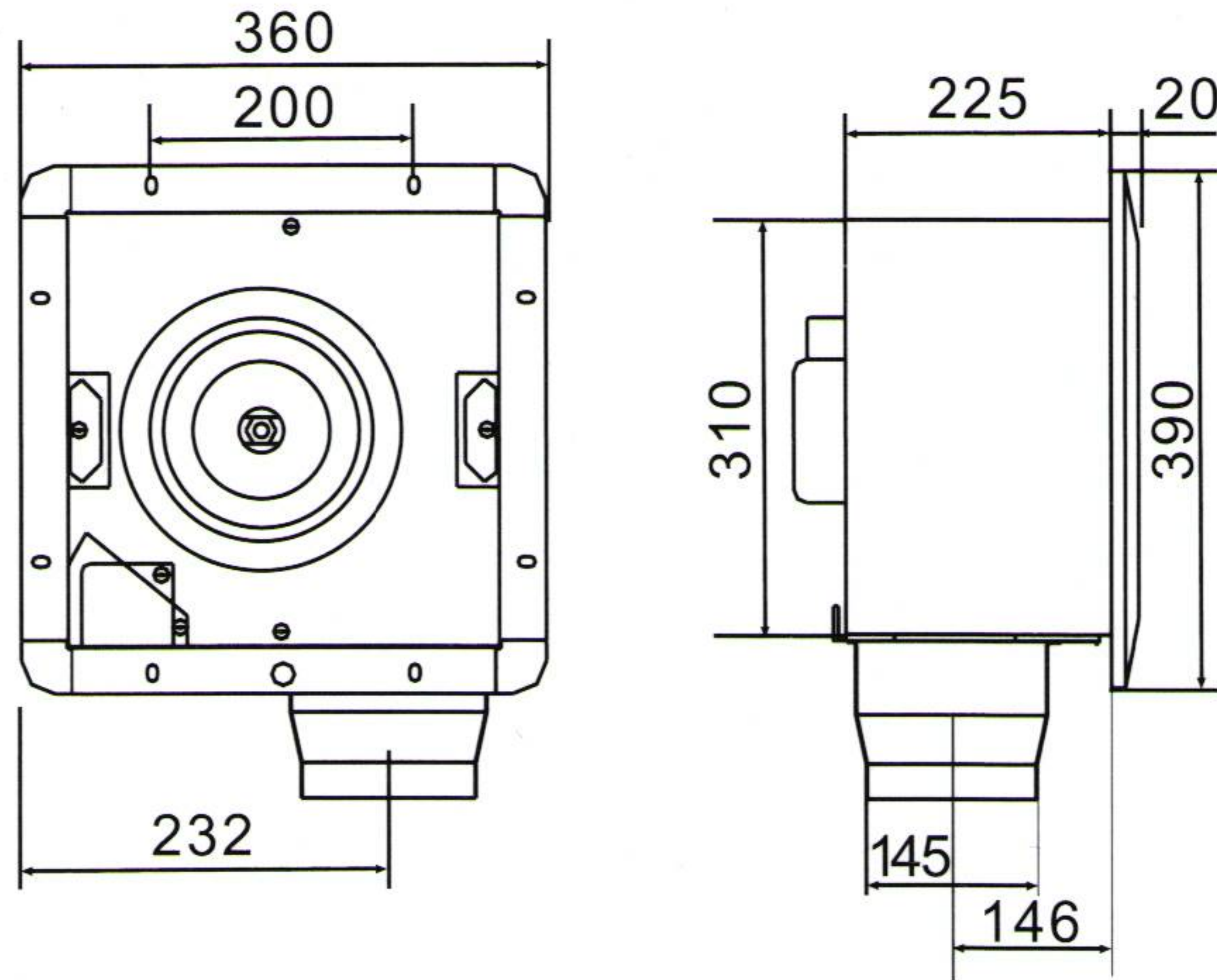


### SPECIFICATIONS

Model	Size mm	Volt V	Freq Hz	Power W	RPM	Air Volume CFM	S.P. Pa	Noise dB
CEF27MS	150	220	60	32	642	160	123	38
		220	50	28	653	163	124	39



## DIMENSIONS (mm)



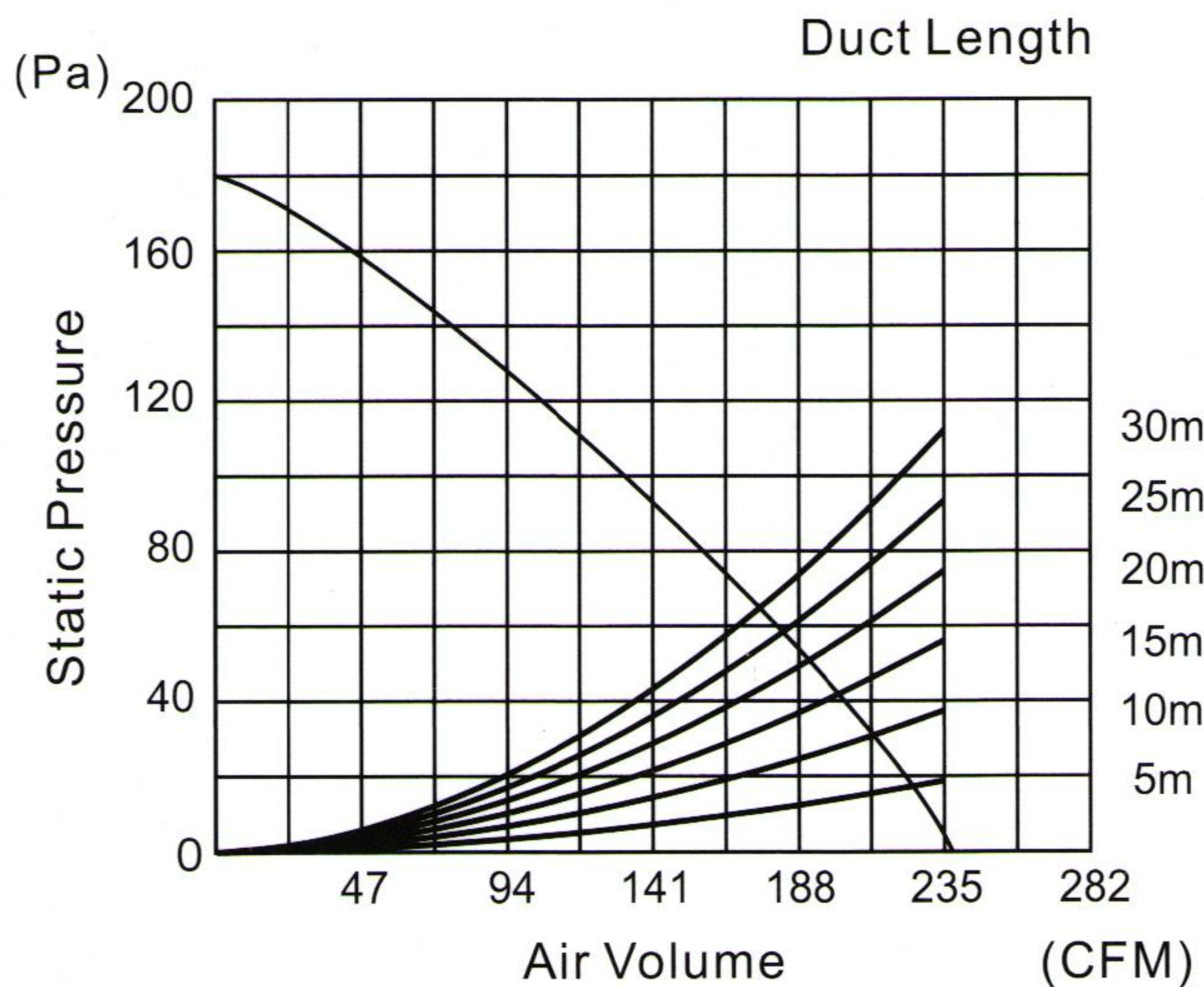
## CEF32MS

### Description

- Centrifugal Fan (Tubular Sirocco).
- Capacitor motor, built-in thermal cut-out, 100% copper.
- Long life Ball bearing.
- High performance & super quiet.
- Metal housing with rust-proof painting and Metal blower for high air volume.
- Contemporary design of Top quality ABS Front panel.



## Performance Data

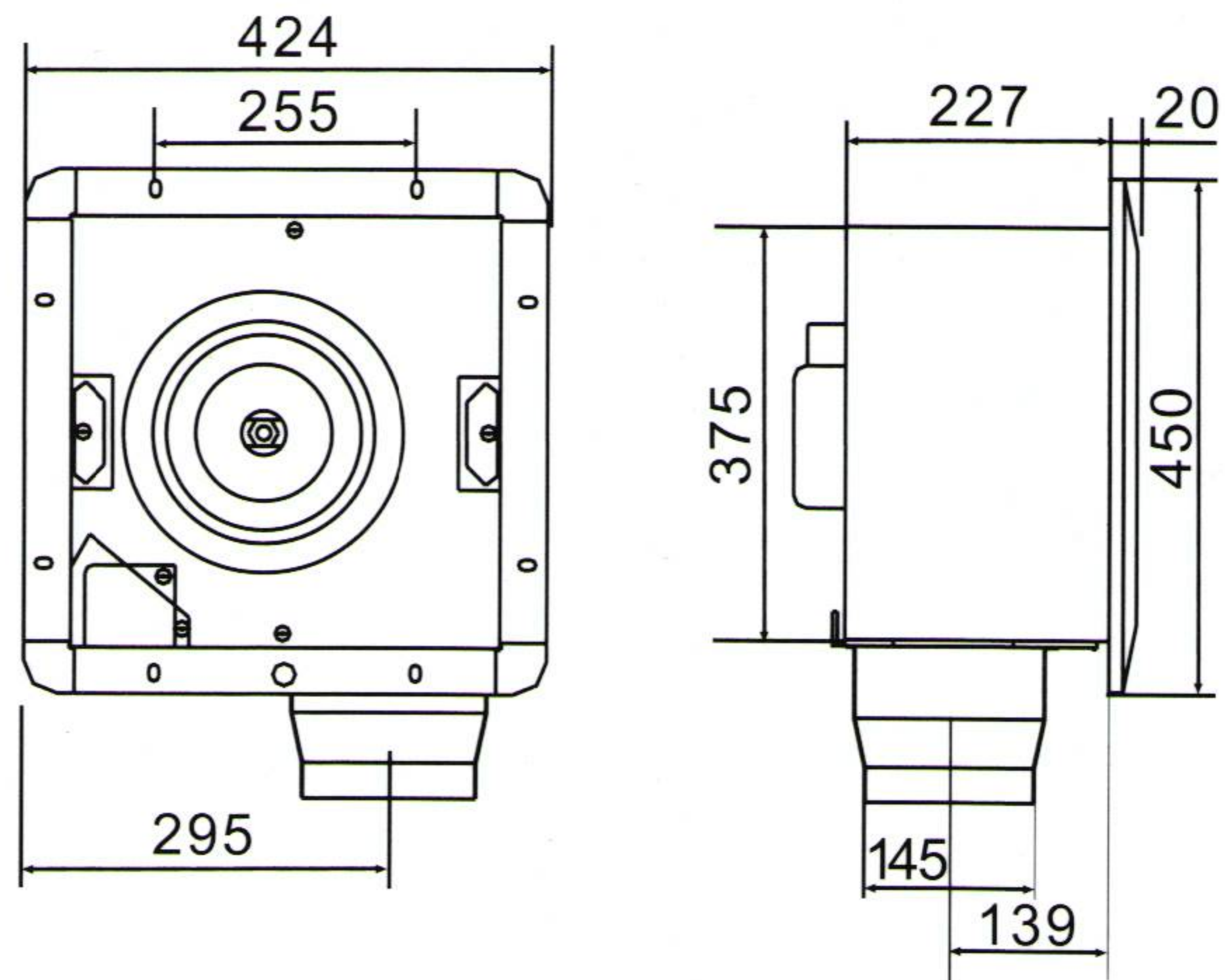


## SPECIFICATIONS

Model	Size mm	Speed	Volt V	Freq Hz	Power W	RPM	Air Volume CFM	S.P. Pa	Noise dB
CEF32MS	150	High	220	60	52	694	237	180	44
			220	50	43	708	242	157	45
		Low	220	60	33	530	167	105	40
			220	50	33	550	161	105	41



## DIMENSIONS (mm)



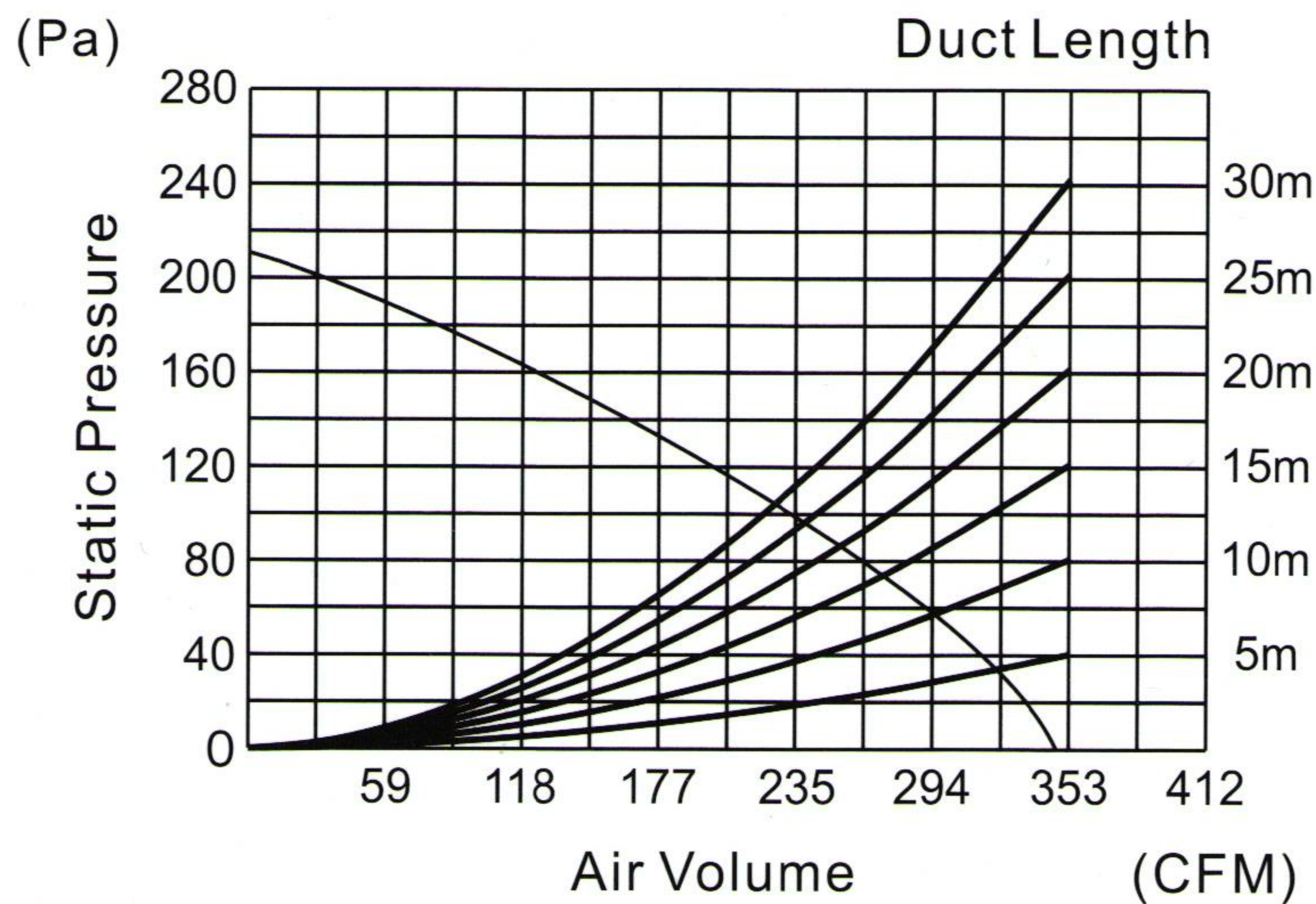
## CEF38MS

### Description

- Centrifugal Fan (Tubular Sirocco).
- Capacitor motor, built-in thermal cut-out, 100% copper.
- Long life Ball bearing.
- High performance & super quiet.
- Metal housing with rust-proof painting and Metal blower for high air volume.
- Contemporary design of Top quality ABS Front panel.



## Performance Data



## SPECIFICATIONS

Model	Size mm	Speed	Volt V	Freq Hz	Power W	RPM	Air Volume CFM	S.P. Pa	Noise dB
CEF38MS	150	High	220	60	115	738	346	213	51
			220	50	85	742	354	201	52
		Low	220	60	80	630	296	170	47
			220	50	70	650	306	175	48