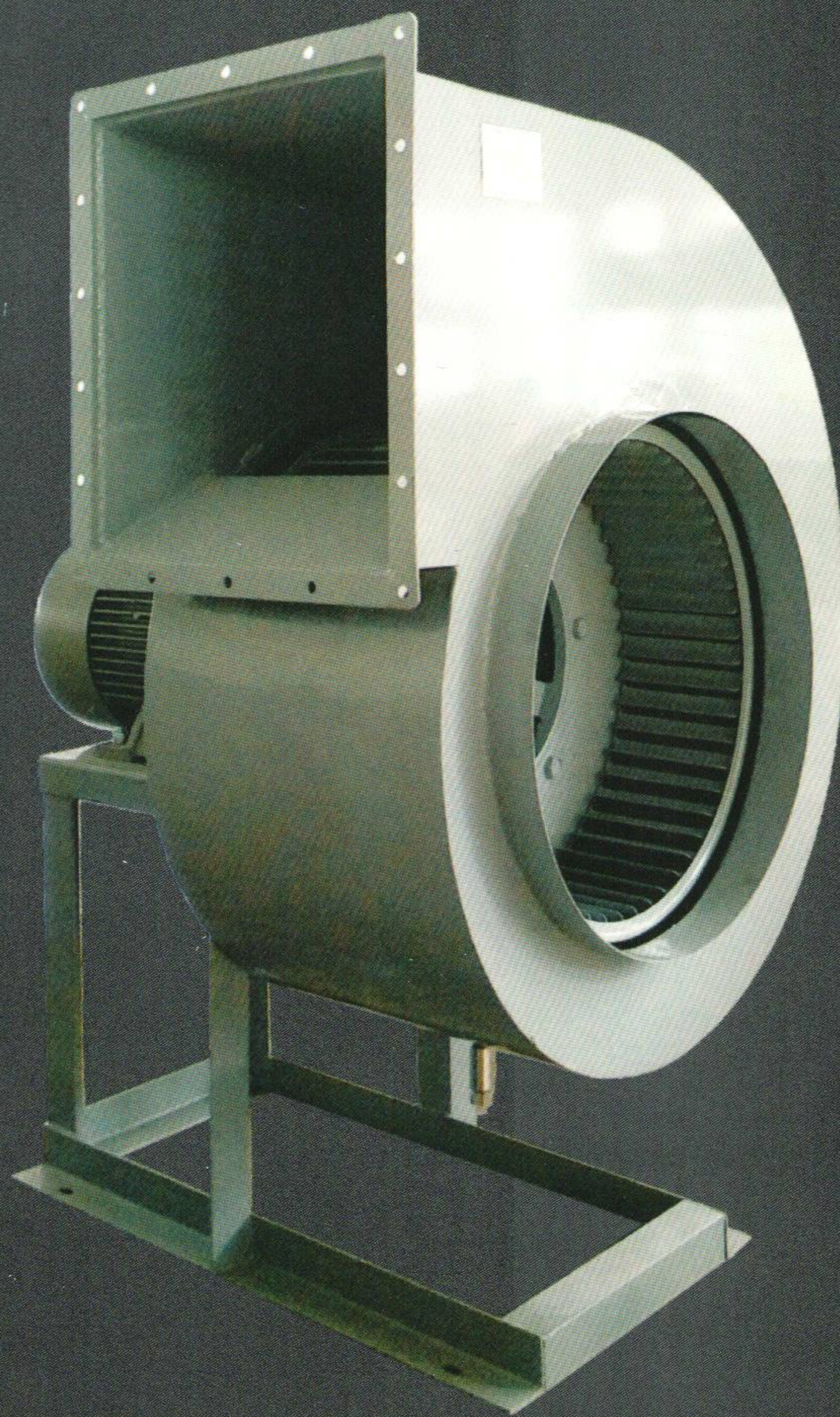


SINCE 2005

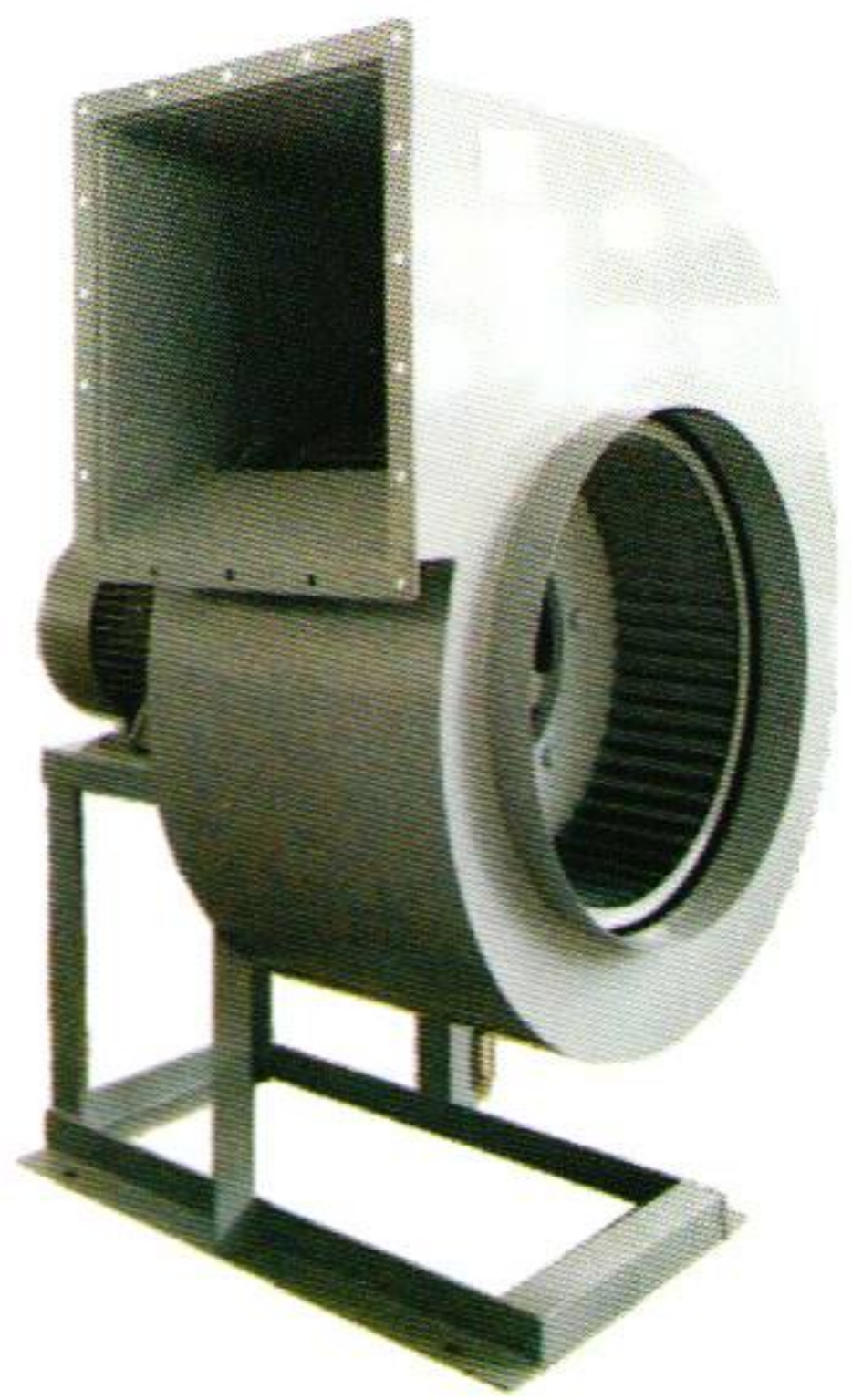
UHF Centrifugal Fan



SASO COC CE

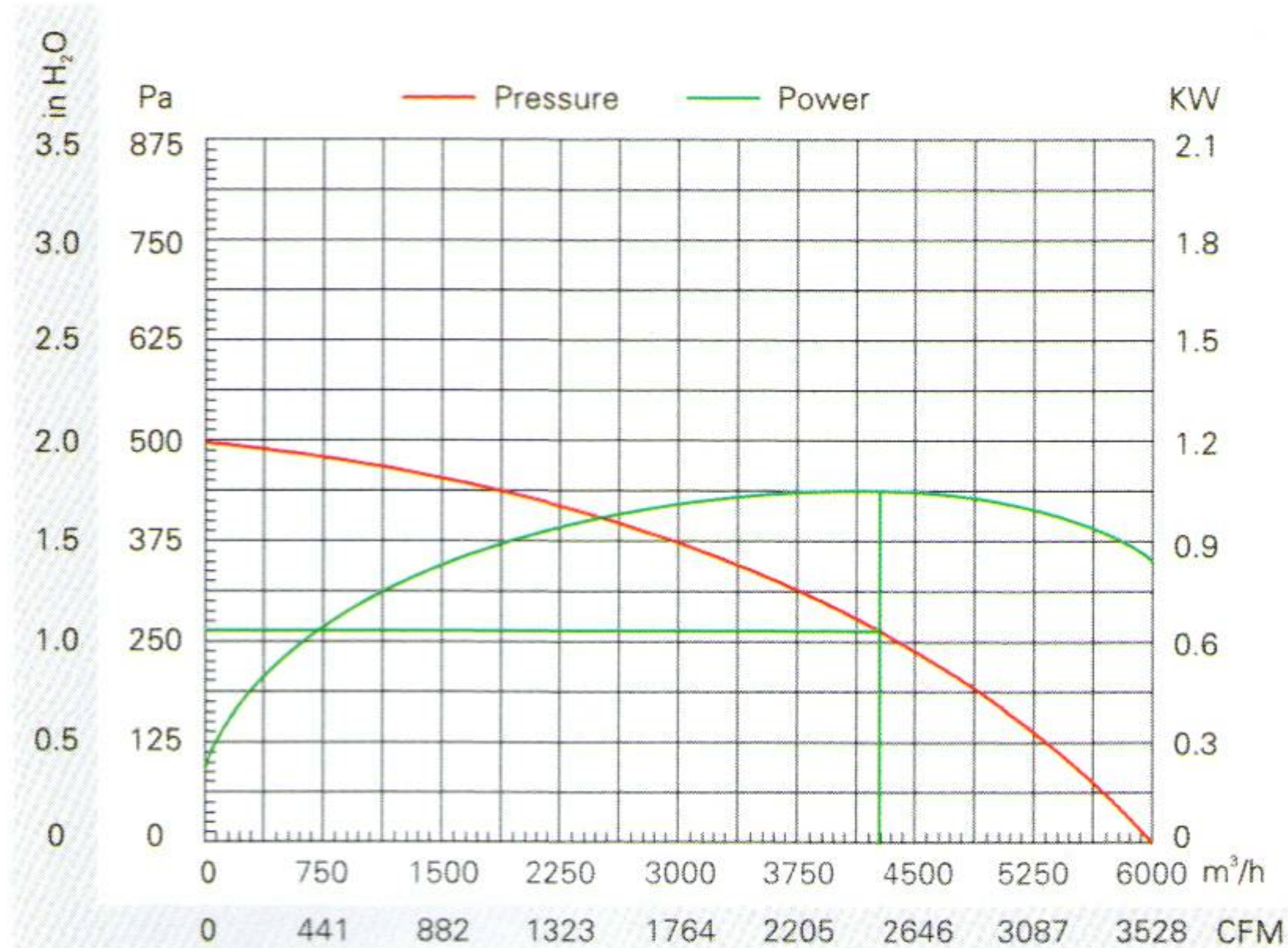


UHF 2.8A 1.1KW



Description:

- ◆ SIEMENS motor, IP 55 with class F insulation
- ◆ Motor voltage: Three Phase 220/380V, 50/60Hz
- ◆ High efficiency motor
- ◆ Bearing: High quality ball bearing
- ◆ Thermal overload protection
- ◆ Direction of rotation: Clockwise, seen on impeller
- ◆ The wheel diameter: 270mm
- ◆ The scroll housing thickness: 2.8mm
- ◆ The operating ambient temperature: $-30^{\circ}\text{C} \sim +90^{\circ}\text{C}$



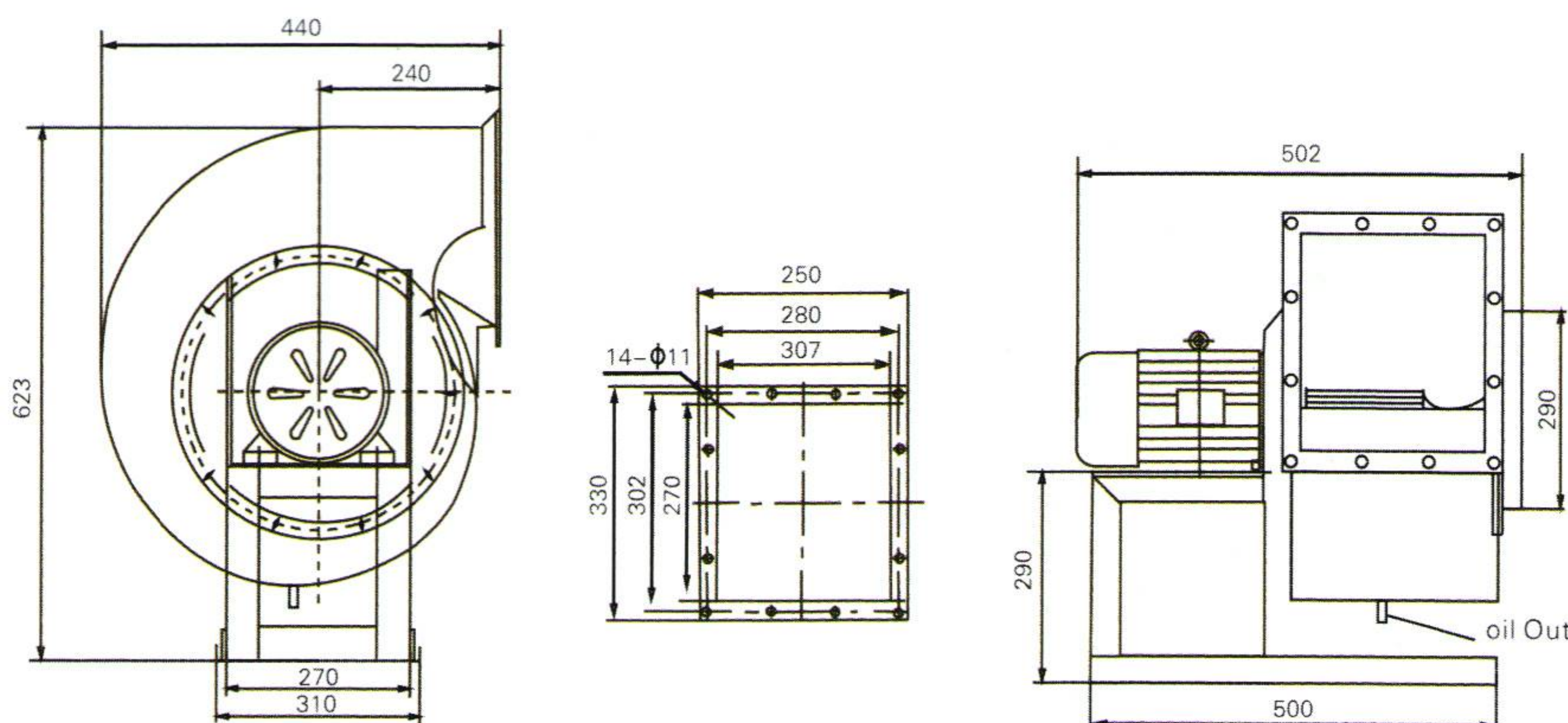
Performance Data:

	m³/h @ Pa									
	0	62.5	125	187.5	250	312.5	375	437.5	500	562.5
m³/h	6000	5700	5320	4875	4390	3750	3000	1875		
dB(A)	67	67	68	68	69	69	70	70		
BKW	0.846	0.918	0.962	1.018	1.041	1.035	1.015	0.906		

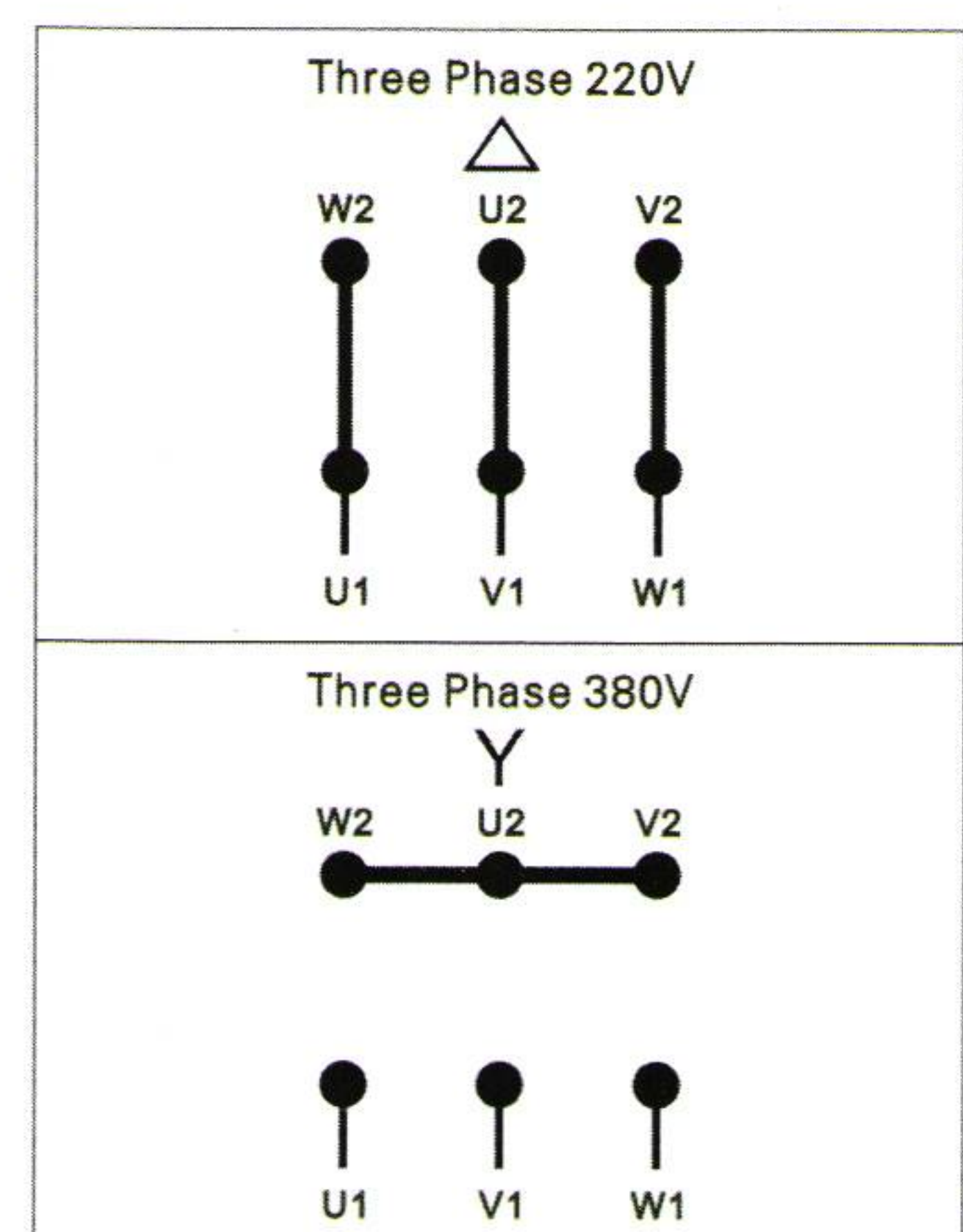
Specifications:

Model	Voltage (V)	Frequency (Hz)	Power (KW)	Current (A)	Speed (RPM)	Air Flow		Noise (dB)	Pressure (Pa)	Weight (Kg)
						m³/h	CFM			
UHF2.8A	220	60	1.1	4.60	1730	6000	3530	67	498	75
	380	60	1.1	2.65	1730	6000	3530	67	498	75

Dimension: mm

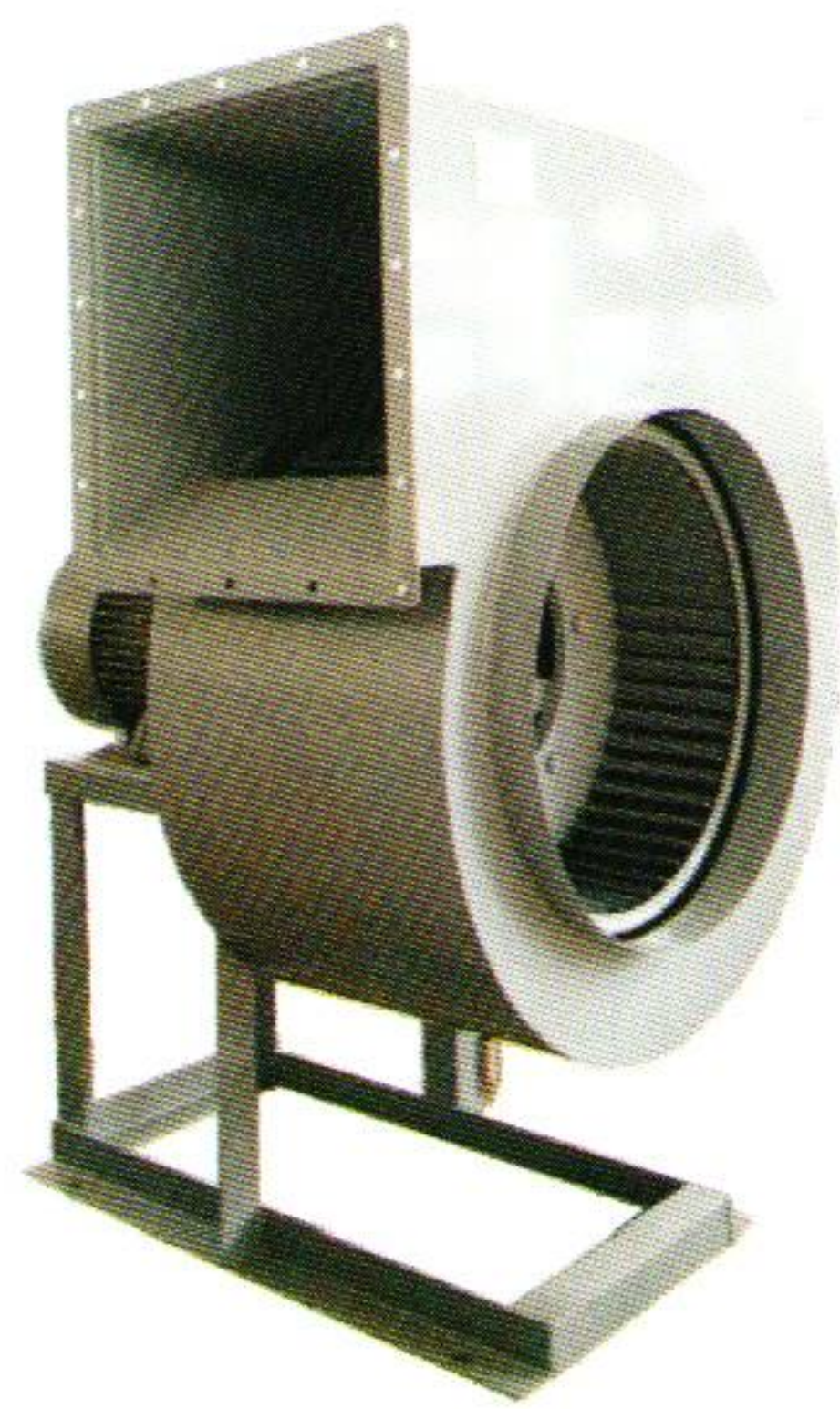


Wiring Diagram:



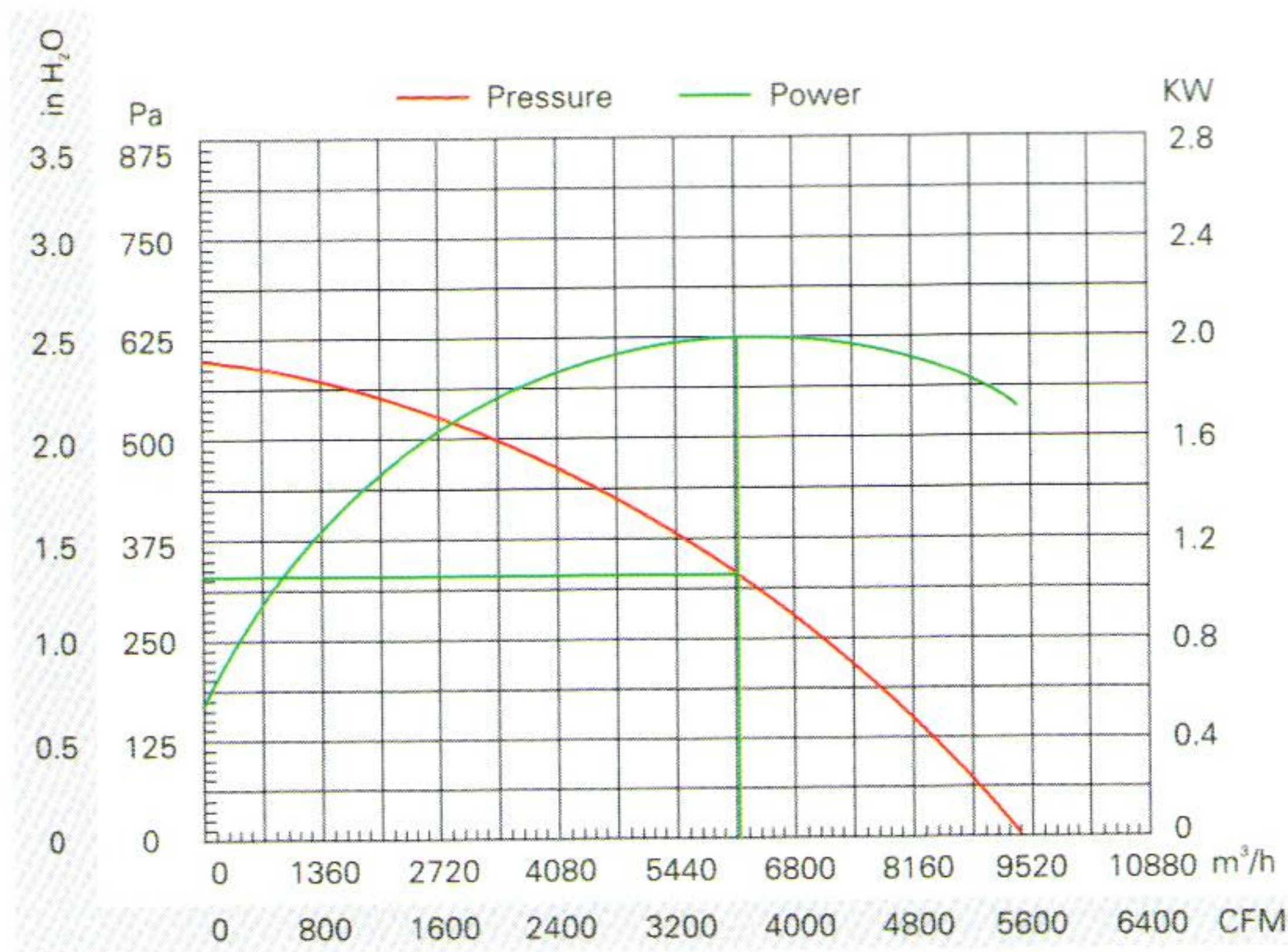


UHF 3.2A 2.2KW



Description:

- ◆ SIEMENS motor, IP 55 with class F insulation
- ◆ Motor voltage: Three Phase 220/380V, 50/60Hz
- ◆ High efficiency motor
- ◆ Bearing: High quality ball bearing
- ◆ Thermal overload protection
- ◆ Direction of rotation: Clockwise, seen on impeller
- ◆ The wheel diameter: 310mm
- ◆ The scroll housing thickness: 2.8mm
- ◆ The operating ambient temperature: -30°C ~ +90°C



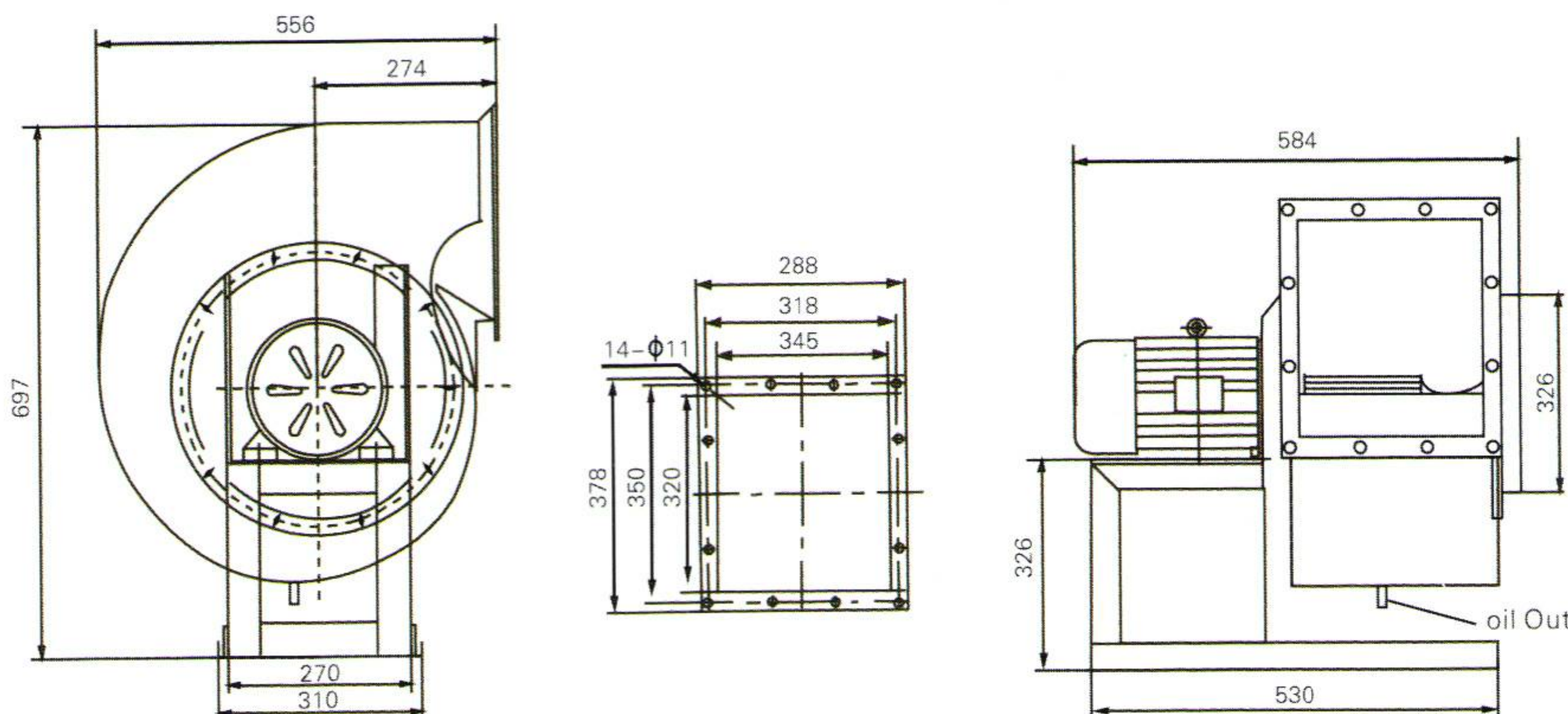
Performance Data:

	m³/h @ Pa									
	0	62.5	125	187.5	250	312.5	375	437.5	500	562.5
m³/h	9400	8970	8840	8160	7450	6780	5780	4488	3450	1700
dB(A)	68	68	69	69	70	70	71	71	72	72
BKW	1.725	1.822	1.855	1.923	1.978	1.989	1.998	1.913	1.786	1.403

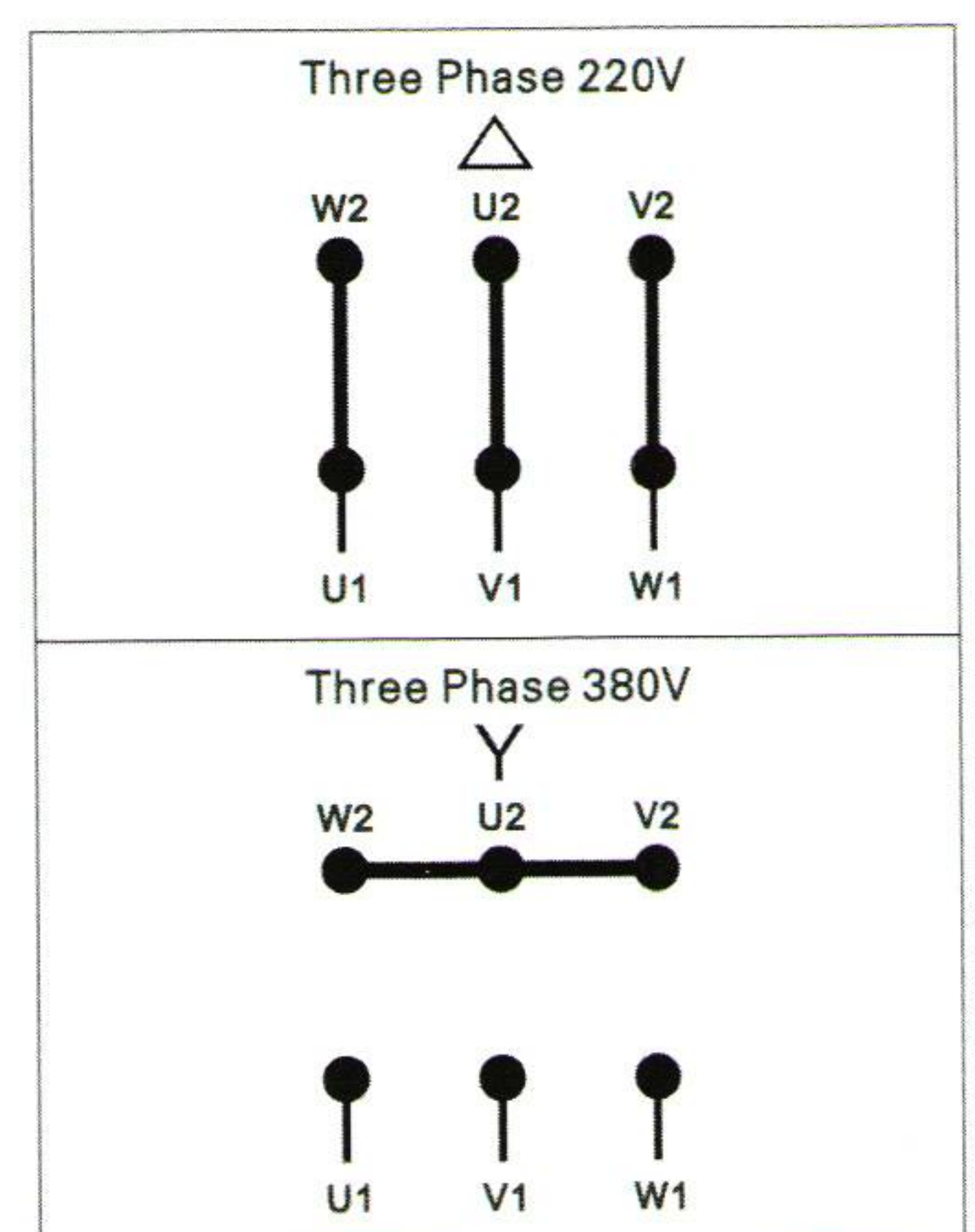
Specifications:

Model	Voltage (V)	Frequency (Hz)	Power (KW)	Current (A)	Speed (RPM)	Air Flow		Noise (dB)	Pressure (Pa)	Weight (Kg)
						m³/h	CFM			
UHF3.2A	220	60	2.2	8.4	1720	9400	5529	68	600	86
	380	60	2.2	4.85	1720	9400	5529	68	600	86

Dimension: mm



Wiring Diagram:



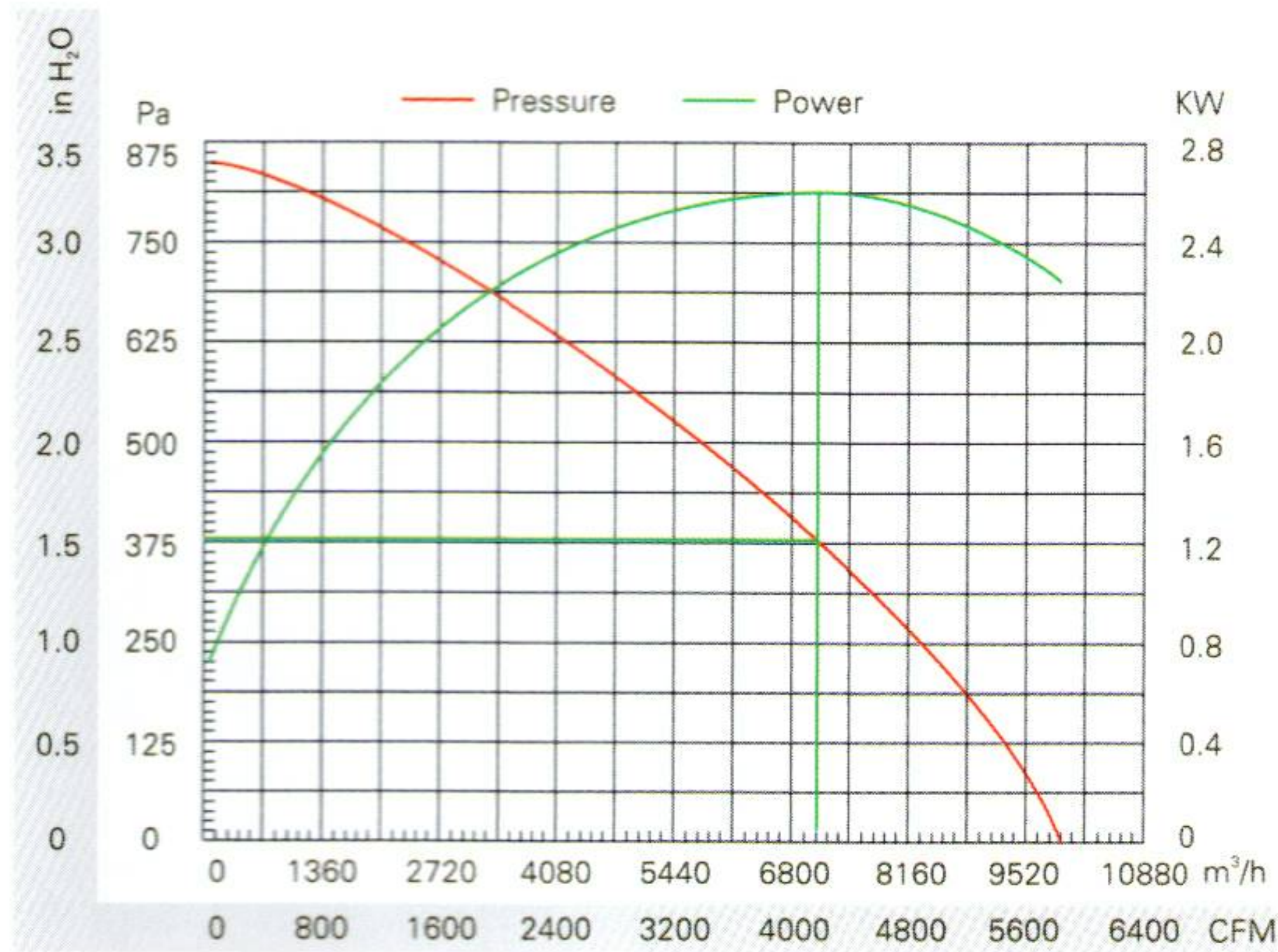


UHF 3.2A 3KW



Description:

- ◆ SIEMENS motor, IP 55 with class F insulation
- ◆ Motor voltage: Three Phase 220/380V, 50/60Hz
- ◆ High efficiency motor
- ◆ Bearing: High quality ball bearing
- ◆ Thermal overload protection
- ◆ Direction of rotation: Clockwise, seen on impeller
- ◆ The wheel diameter: 310mm
- ◆ The scroll housing thickness: 2.8mm
- ◆ The operating ambient temperature: $-30^{\circ}\text{C} \sim +90^{\circ}\text{C}$



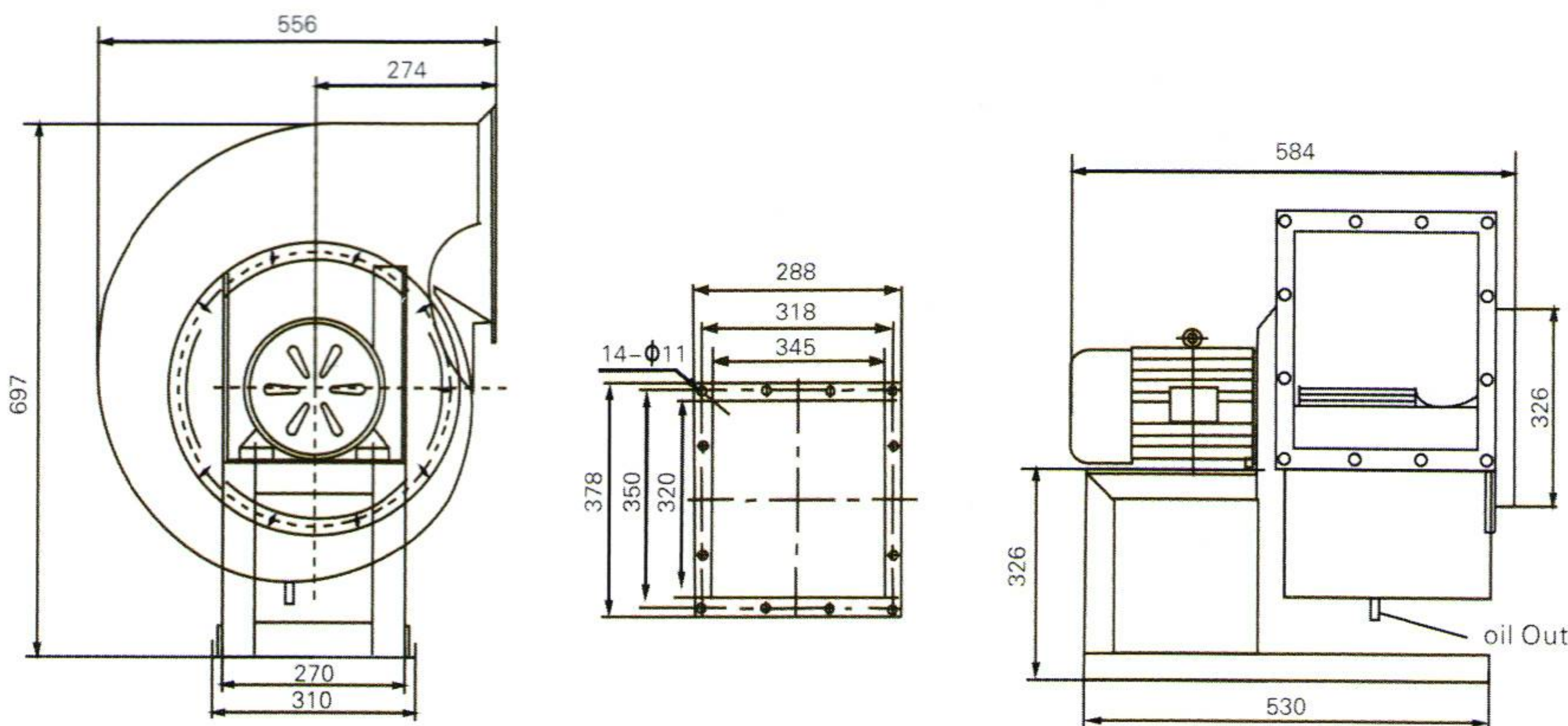
Performance Data:

	m³/h @ Pa									
	0	62.5	125	187.5	250	312.5	375	437.5	500	562.5
m³/h	9900	9683	9248	8840	8400	7750	7050	6390	5750	4964
dB(A)	73	73	74	74	74	75	75	76	76	76
BKW	2.225	2.305	2.379	2.465	2.532	2.586	2.600	2.568	2.557	2.487

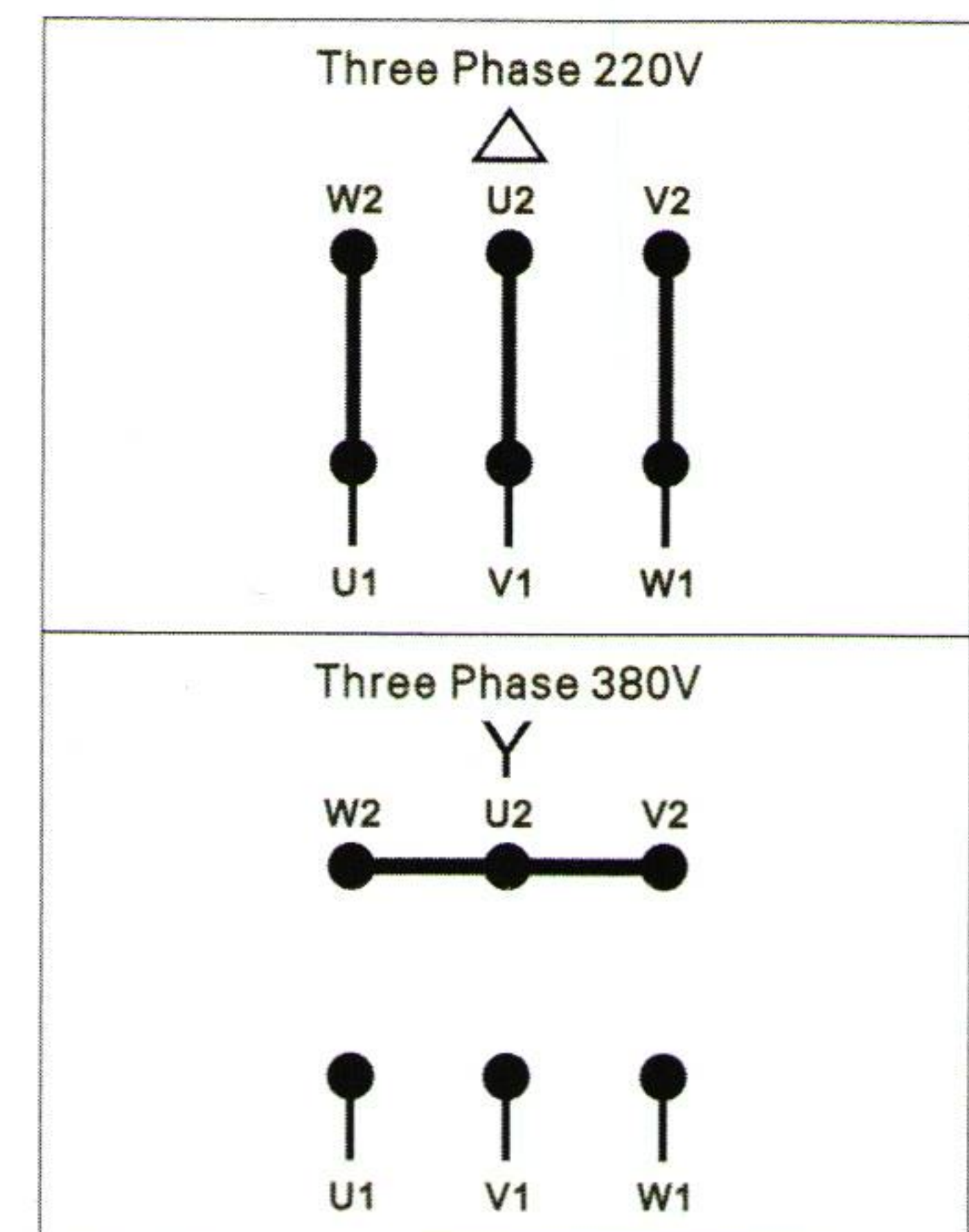
Specifications:

Model	Voltage (V)	Frequency (Hz)	Power (KW)	Current (A)	Speed (RPM)	Air Flow		Noise (dB)	Pressure (Pa)	Weight (Kg)
						m³/h	CFM			
UHF3.2A	220	60	3	11.4	1720	9900	5823	73	850	90
	380	60	3	6.6	1720	9900	5823	73	850	90

Dimension: mm



Wiring Diagram:



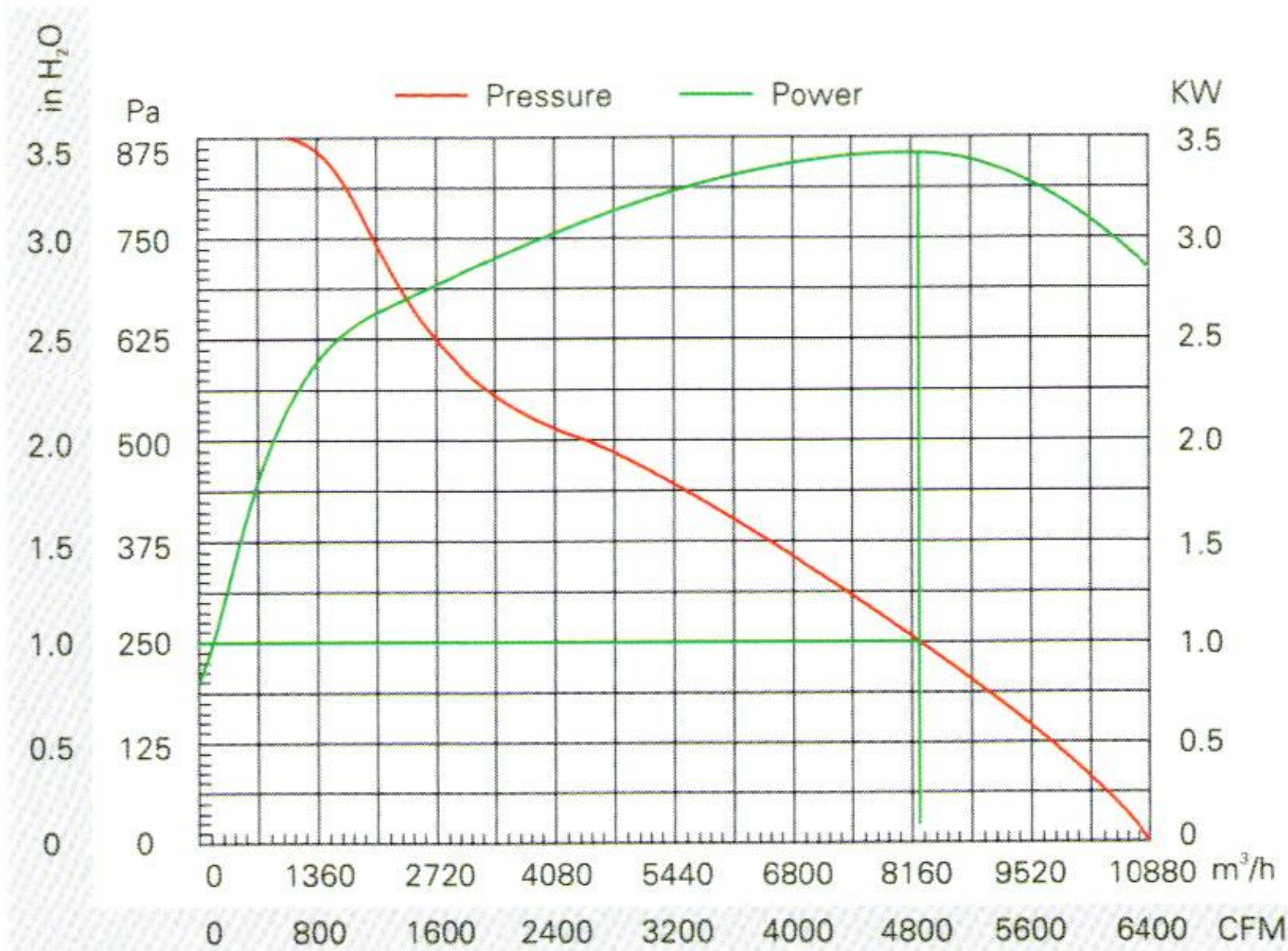


UHF 3.5A 4KW



Description:

- ◆ SIEMENS motor, IP 55 with class F insulation
- ◆ Motor voltage: Three Phase 220/380V, 50/60Hz
- ◆ High efficiency motor
- ◆ Bearing: High quality ball bearing
- ◆ Thermal overload protection
- ◆ Direction of rotation: Clockwise, seen on impeller
- ◆ The wheel diameter: 340mm
- ◆ The scroll housing thickness: 3.2mm
- ◆ The operating ambient temperature: $-30^{\circ}\text{C} \sim +90^{\circ}\text{C}$



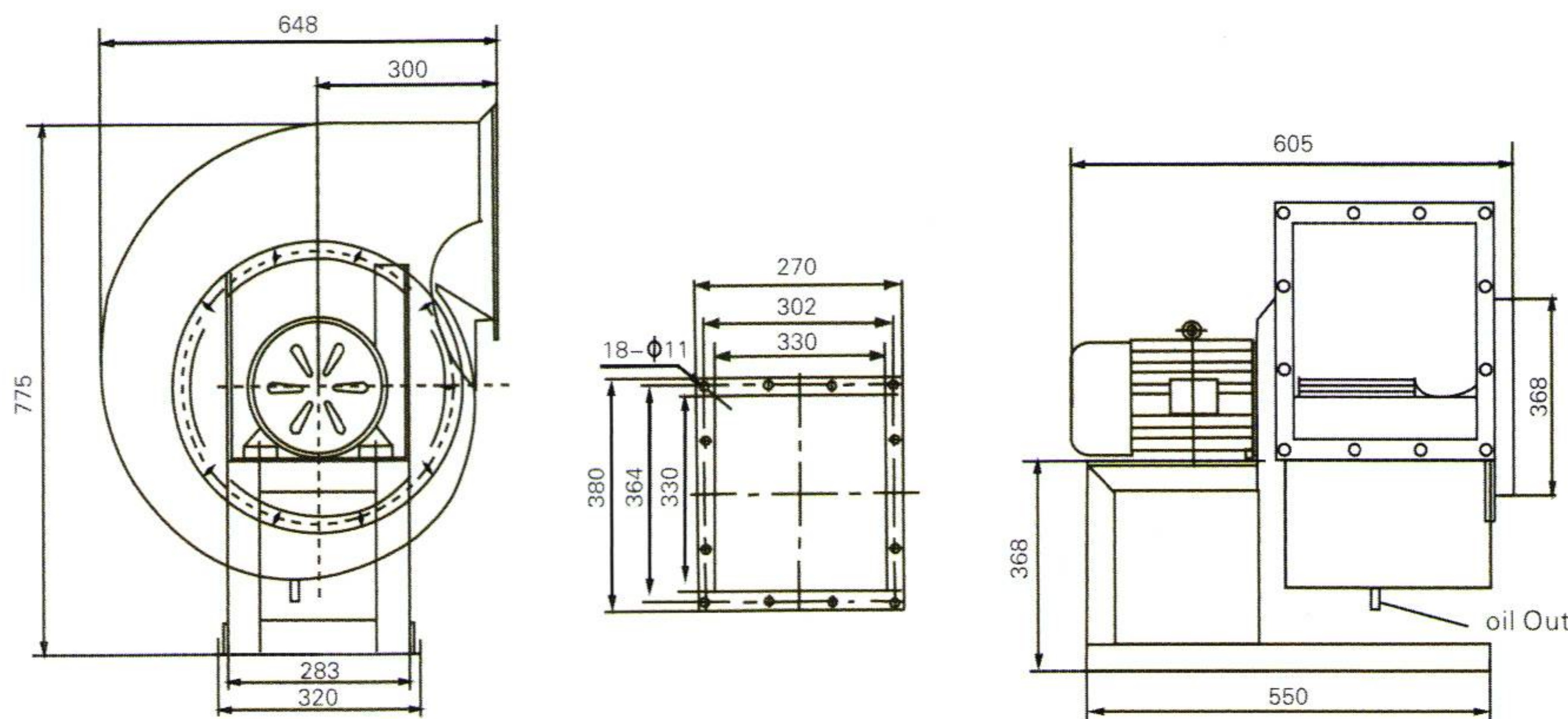
Performance Data:

	m³/h @ Pa									
	0	62.5	125	187.5	250	312.5	375	437.5	500	562.5
m³/h	10880	10336	9724	9040	8280	7400	6528	5576	4420	3264
dB(A)	76	76	76	77	77	77	78	78	78	78
BKW	2.832	3.033	3.205	3.324	3.402	3.396	3.352	3.258	3.106	2.838

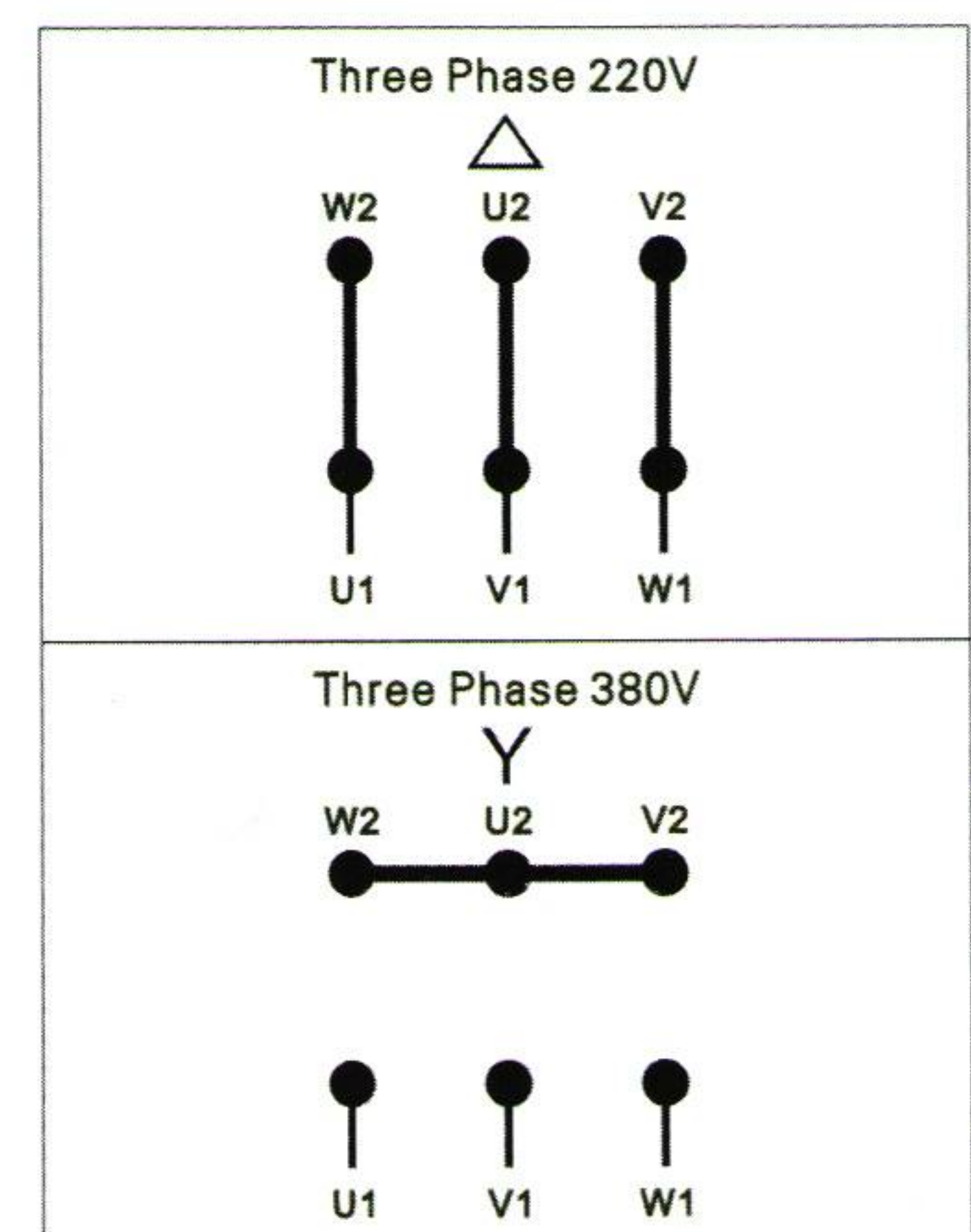
Specifications:

Model	Voltage (V)	Frequency (Hz)	Power (KW)	Current (A)	Speed (RPM)	Air Flow		Noise (dB)	Pressure (Pa)	Weight (Kg)
						m³/h	CFM			
UHF3.5A	220	60	4	15.2	1735	10880	6400	76	920	106
	380	60	4	8.8	1735	10880	6400	76	920	106

Dimension: mm



Wiring Diagram:



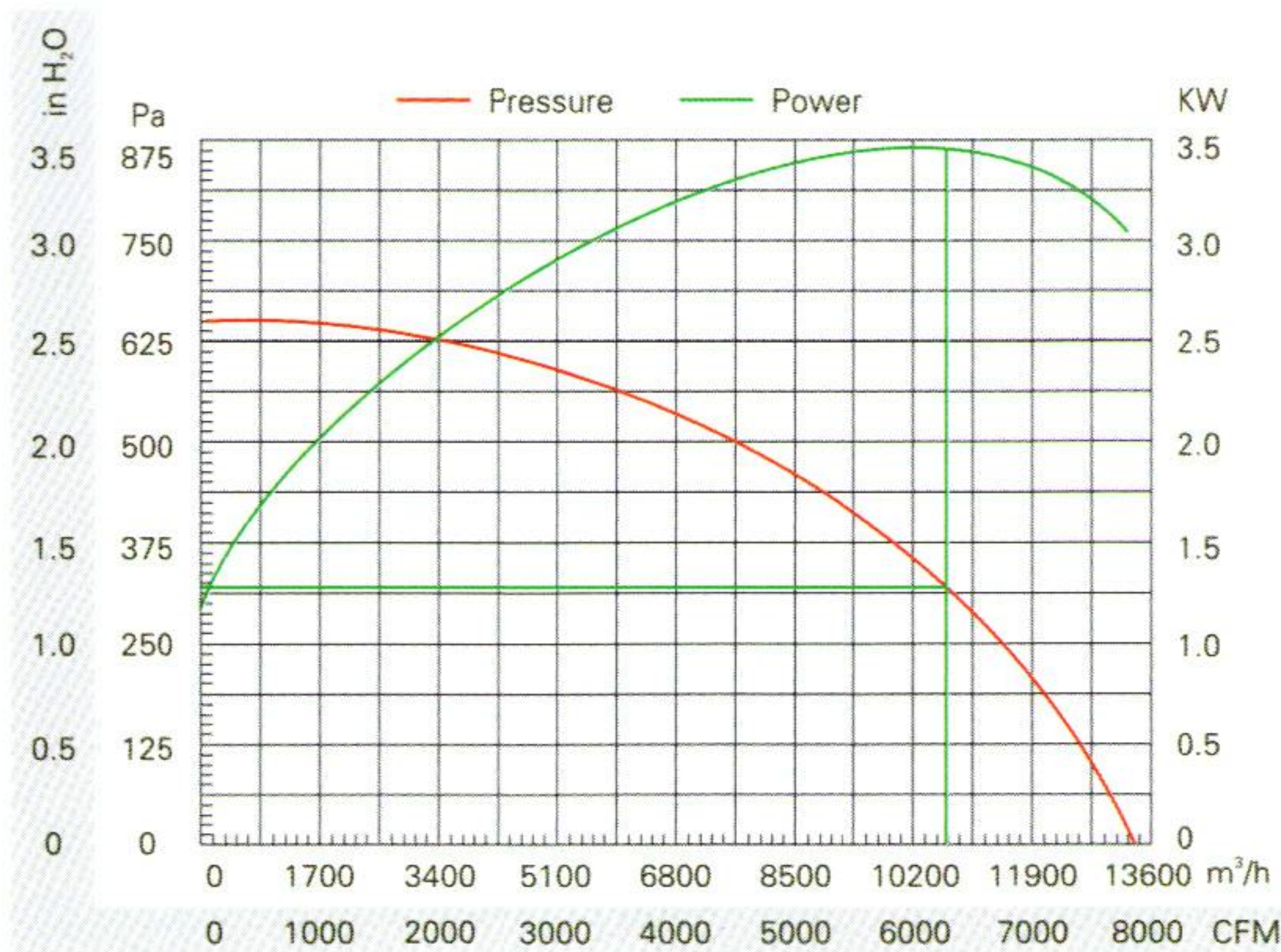


UHF 4A 4KW



Description:

- ◆ SIEMENS motor, IP 55 with class F insulation
- ◆ Motor voltage: Three Phase 220/380V, 50/60Hz
- ◆ High efficiency motor
- ◆ Bearing: High quality ball bearing
- ◆ Thermal overload protection
- ◆ Direction of rotation: Clockwise, seen on impeller
- ◆ The wheel diameter: 390mm
- ◆ The scroll housing thickness: 3.2mm
- ◆ The operating ambient temperature: $-30^{\circ}\text{C} \sim +90^{\circ}\text{C}$



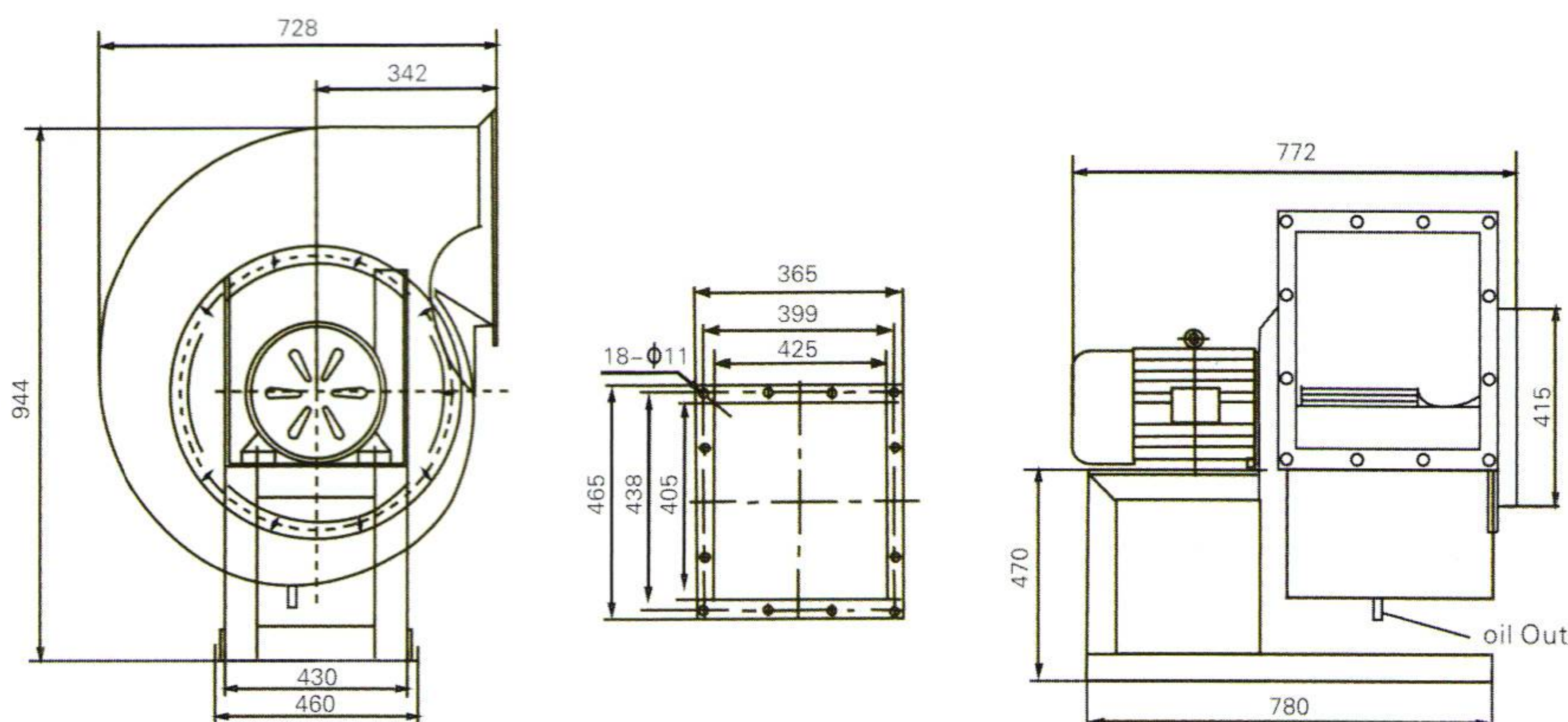
Performance Data:

	m³/h @ Pa									
	0	62.5	125	187.5	250	312.5	375	437.5	500	562.5
m³/h	13430	13000	12580	12070	11475	10795	9987	8840	7650	5950
dB(A)	75	75	75	75	76	76	76	77	77	77
BKW	3.052	3.119	3.249	3.376	3.410	3.451	3.421	3.376	3.303	3.061

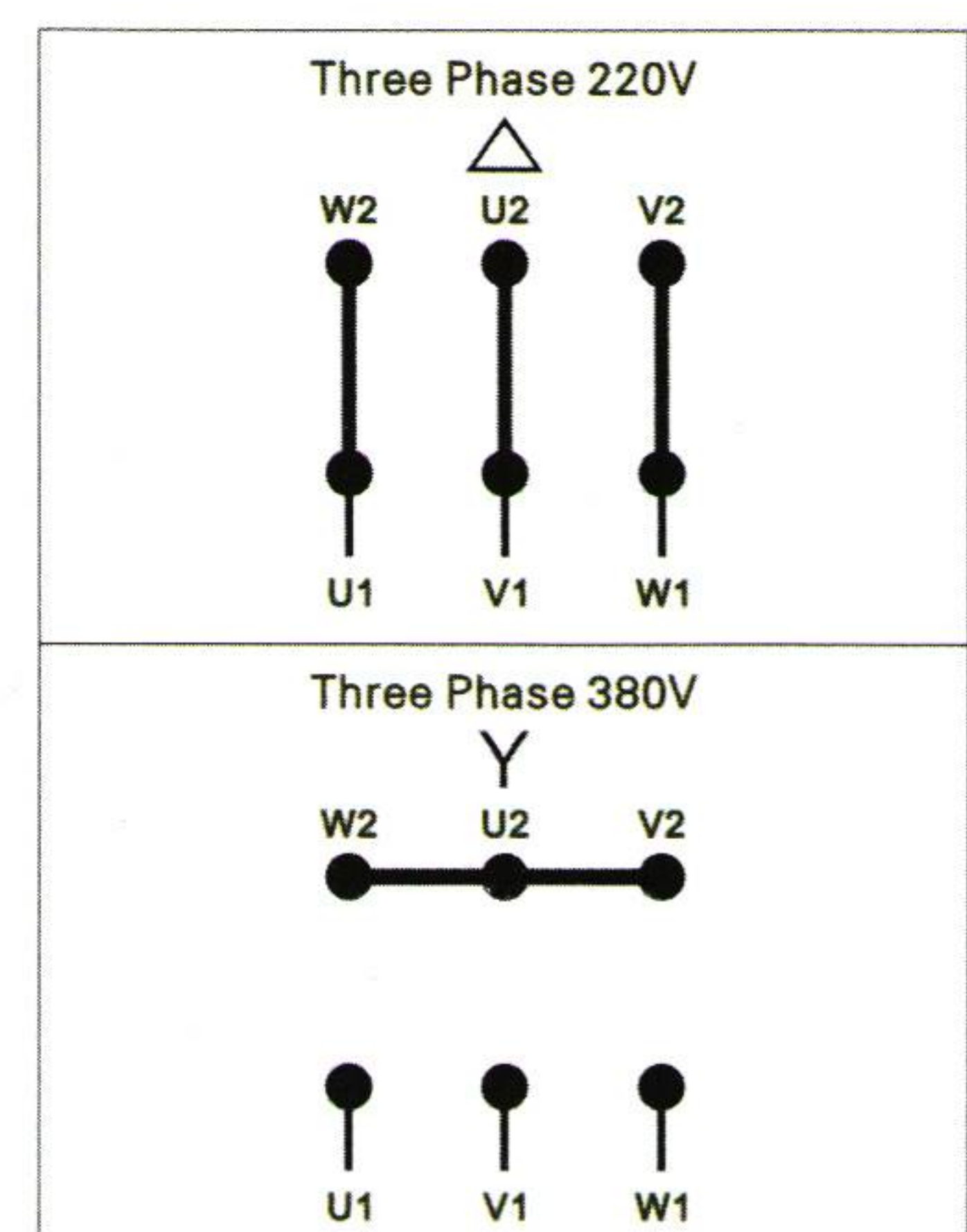
Specifications:

Model	Voltage (V)	Frequency (Hz)	Power (KW)	Current (A)	Speed (RPM)	Air Flow		Noise (dB)	Pressure (Pa)	Weight (Kg)
						m³/h	CFM			
UHF4A	220	60	4	16.4	1150	13430	7900	75	650	165
	380	60	4	9.5	1150	13430	7900	75	650	165

Dimension: mm



Wiring Diagram:



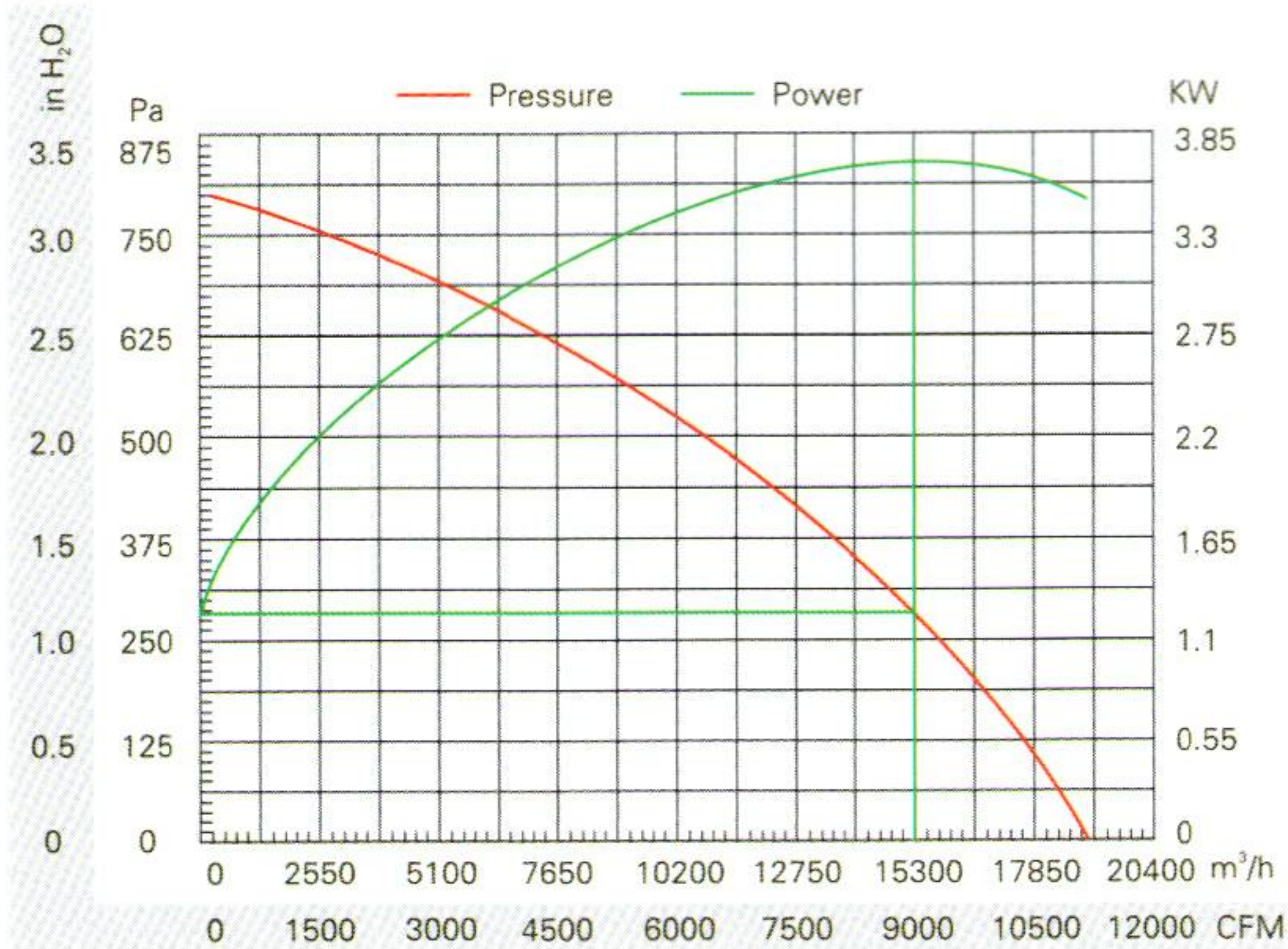


UHF 5A 4KW



Description:

- ◆ SIEMENS motor, IP 55 with class F insulation
- ◆ Motor voltage: Three Phase 220/380V, 50/60Hz
- ◆ High efficiency motor
- ◆ Bearing: High quality ball bearing
- ◆ Thermal overload protection
- ◆ Direction of rotation: Clockwise, seen on impeller
- ◆ The wheel diameter: 490mm
- ◆ The scroll housing thickness: 4mm
- ◆ The operating ambient temperature: $-30^{\circ}\text{C} \sim +90^{\circ}\text{C}$



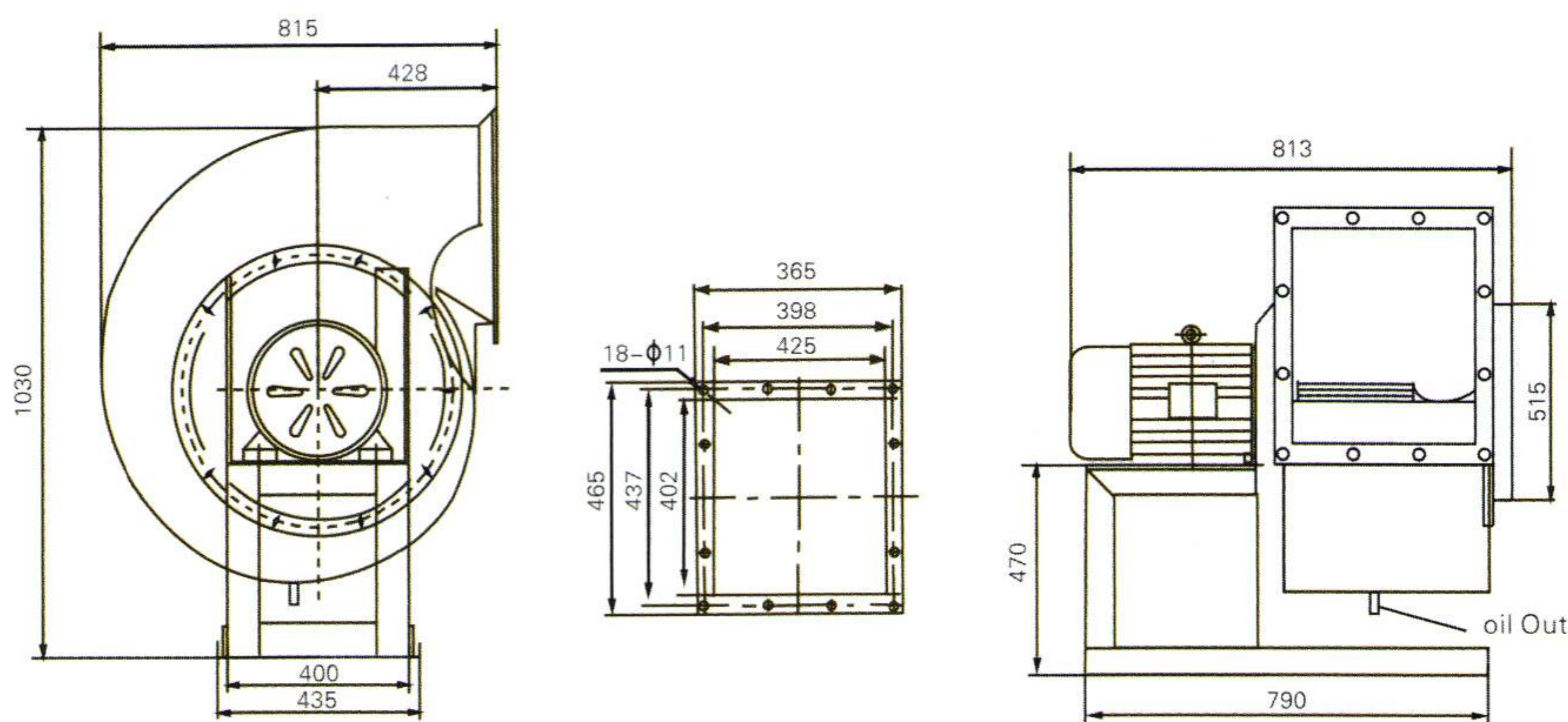
Performance Data:

	m³/h @ Pa									
	0	62.5	125	187.5	250	312.5	375	437.5	500	562.5
m³/h	18870	18360	17600	16830	15800	14780	13500	12240	10830	9180
dB(A)	77	77	77	77	78	78	78	79	79	79
BKW	3.465	3.547	3.639	3.666	3.685	3.701	3.683	3.576	3.465	3.305

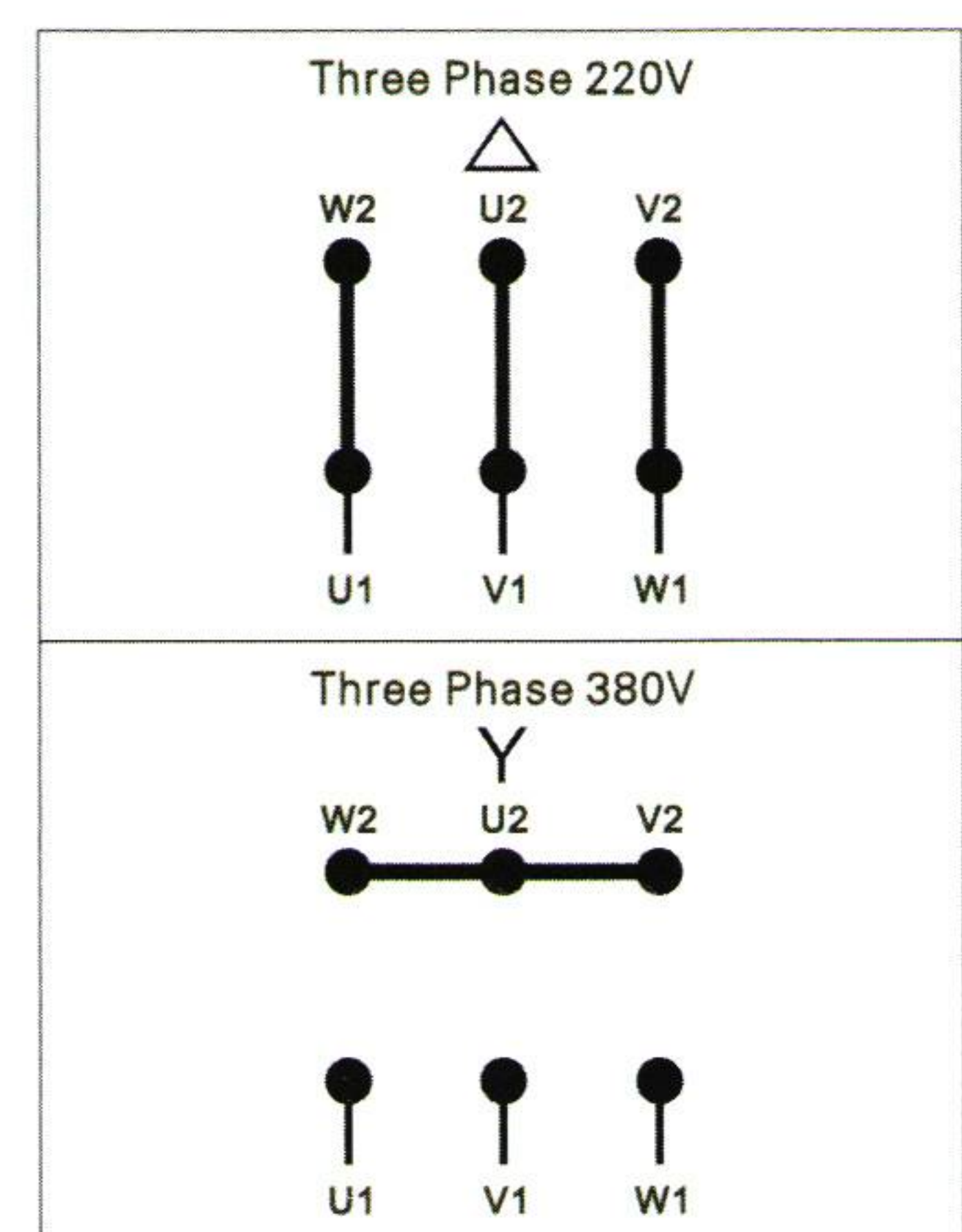
Specifications:

Model	Voltage (V)	Frequency (Hz)	Power (KW)	Current (A)	Speed (RPM)	Air Flow		Noise (dB)	Pressure (Pa)	Weight (Kg)
						m³/h	CFM			
UHF5A	220	60	4	16.4	1150	18870	11100	77	800	182
	380	60	4	9.5	1150	18870	11100	77	800	182

Dimension: mm



Wiring Diagram:



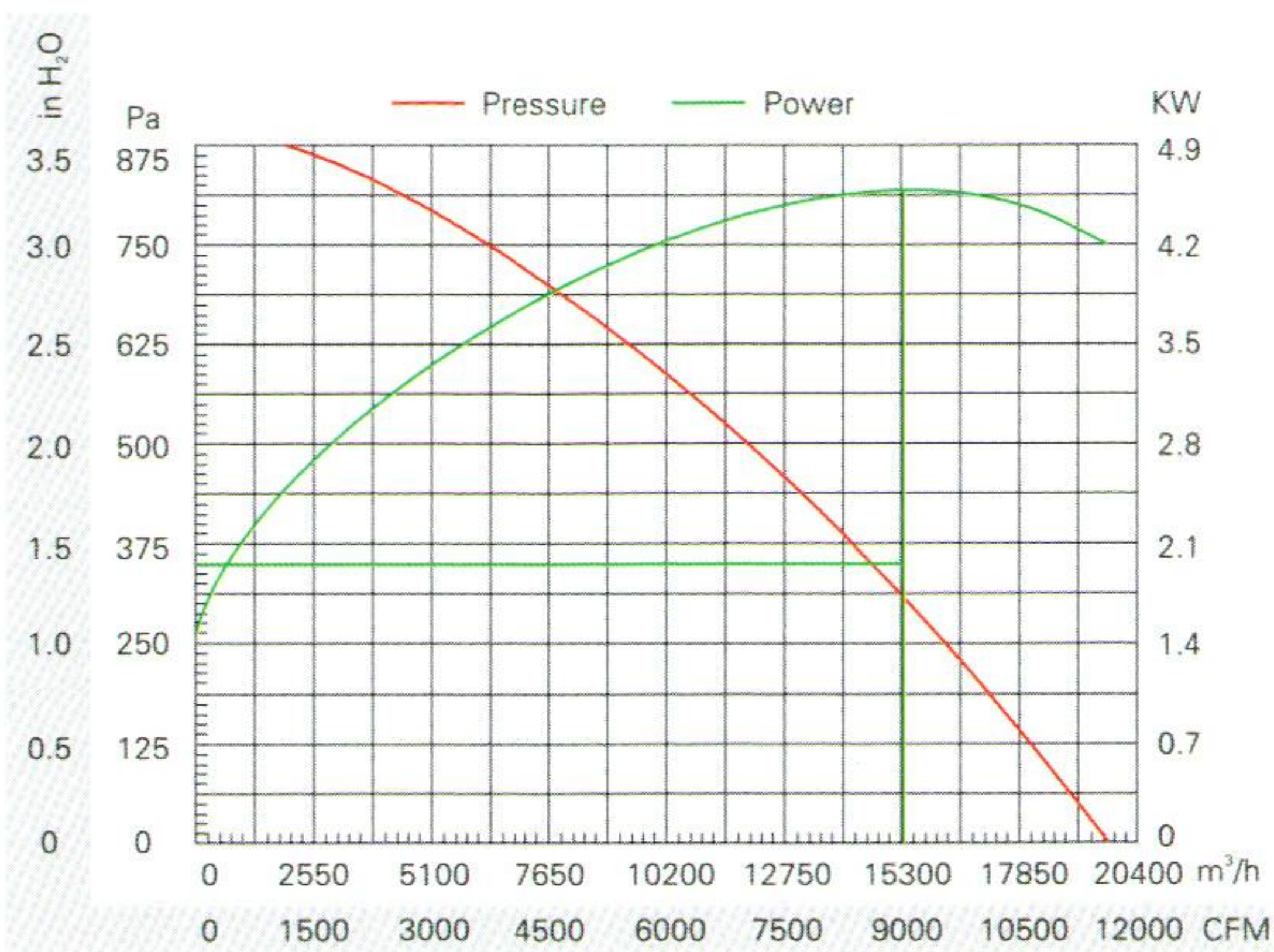


UHF 5A 5.5KW



Description:

- ◆ SIEMENS motor, IP 55 with class F insulation
- ◆ Motor voltage: Three Phase 220/380V, 50/60Hz
- ◆ High efficiency motor
- ◆ Bearing: High quality ball bearing
- ◆ Thermal overload protection
- ◆ Direction of rotation: Clockwise, seen on impeller
- ◆ The wheel diameter: 490mm
- ◆ The scroll housing thickness: 4mm
- ◆ The operating ambient temperature: $-30^{\circ}\text{C} \sim +90^{\circ}\text{C}$



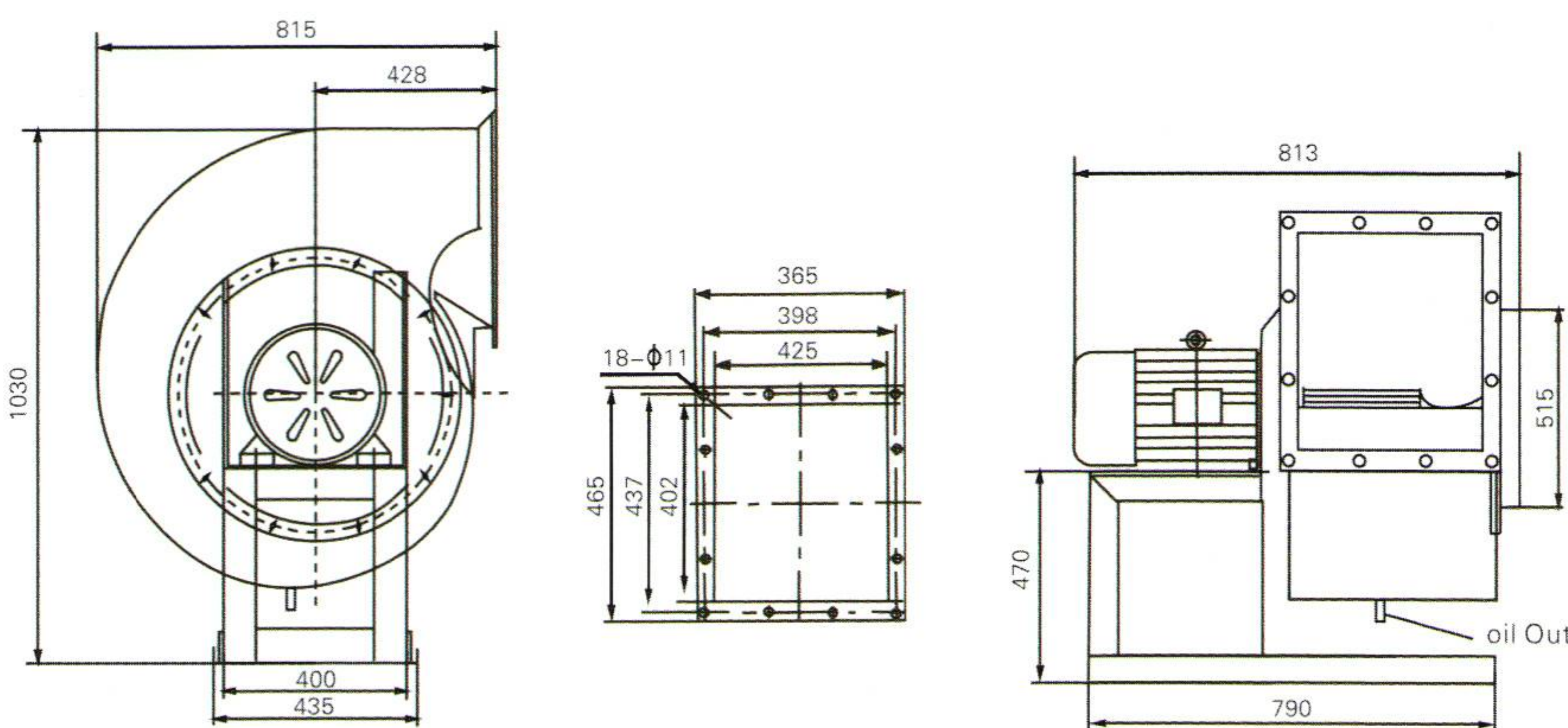
Performance Data:

	m³/h @ Pa									
	0	62.5	125	187.5	250	312.5	375	437.5	500	562.5
m³/h	19635	18921	18105	17212	16320	15300	14280	13056	11934	10710
dB(A)	79	79	79	79	80	80	80	81	81	81
BKW	4.206	4.342	4.445	4.541	4.565	4.588	4.551	4.494	4.396	4.305

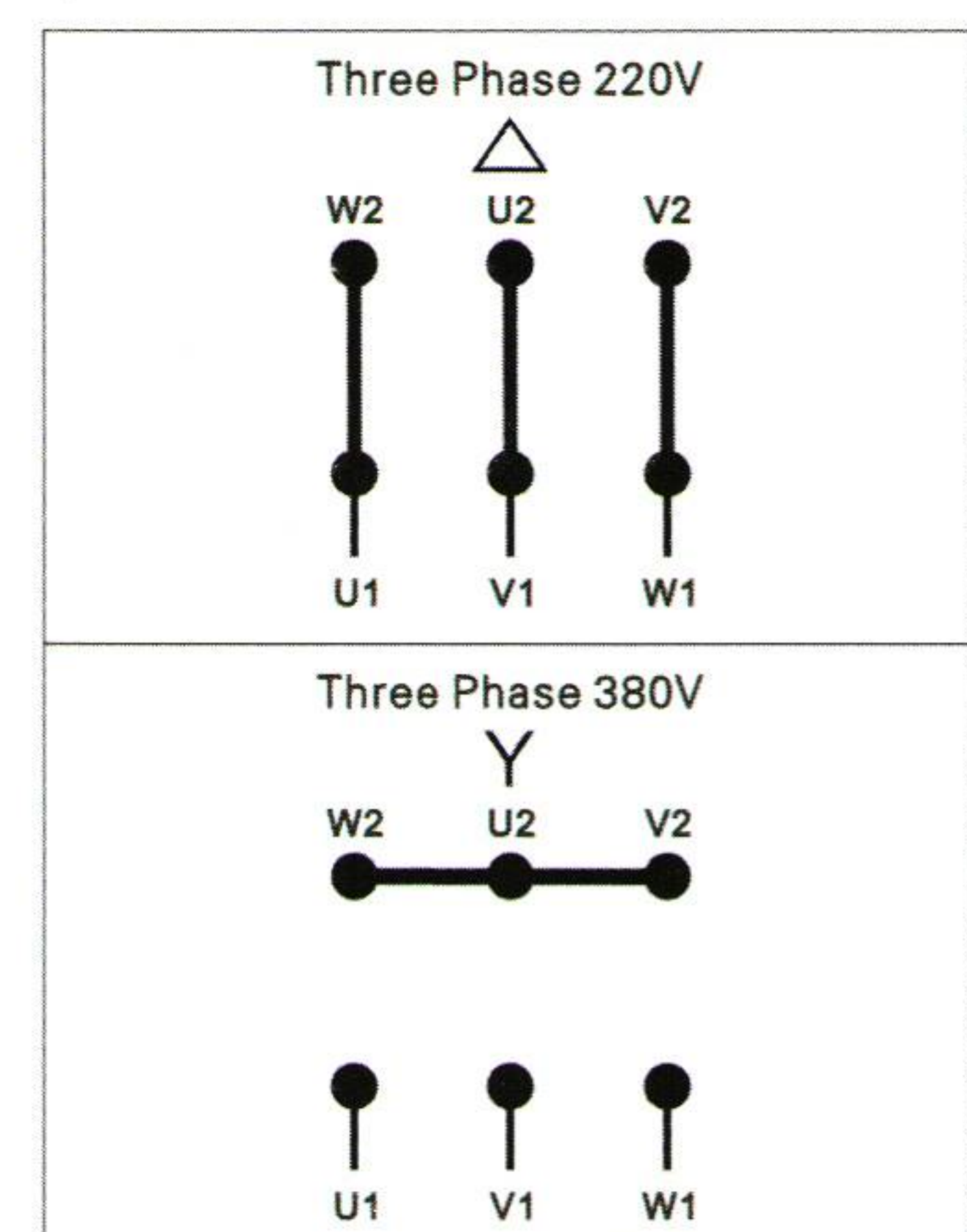
Specifications:

Model	Voltage (V)	Frequency (Hz)	Power (KW)	Current (A)	Speed (RPM)	Air Flow		Noise (dB)	Pressure (Pa)	Weight (Kg)
						m³/h	CFM			
UHF5A	220	60	5.5	21.5	1150	19635	11550	79	940	197
	380	60	5.5	12.4	1150	19635	11550	79	940	197

Dimension: mm

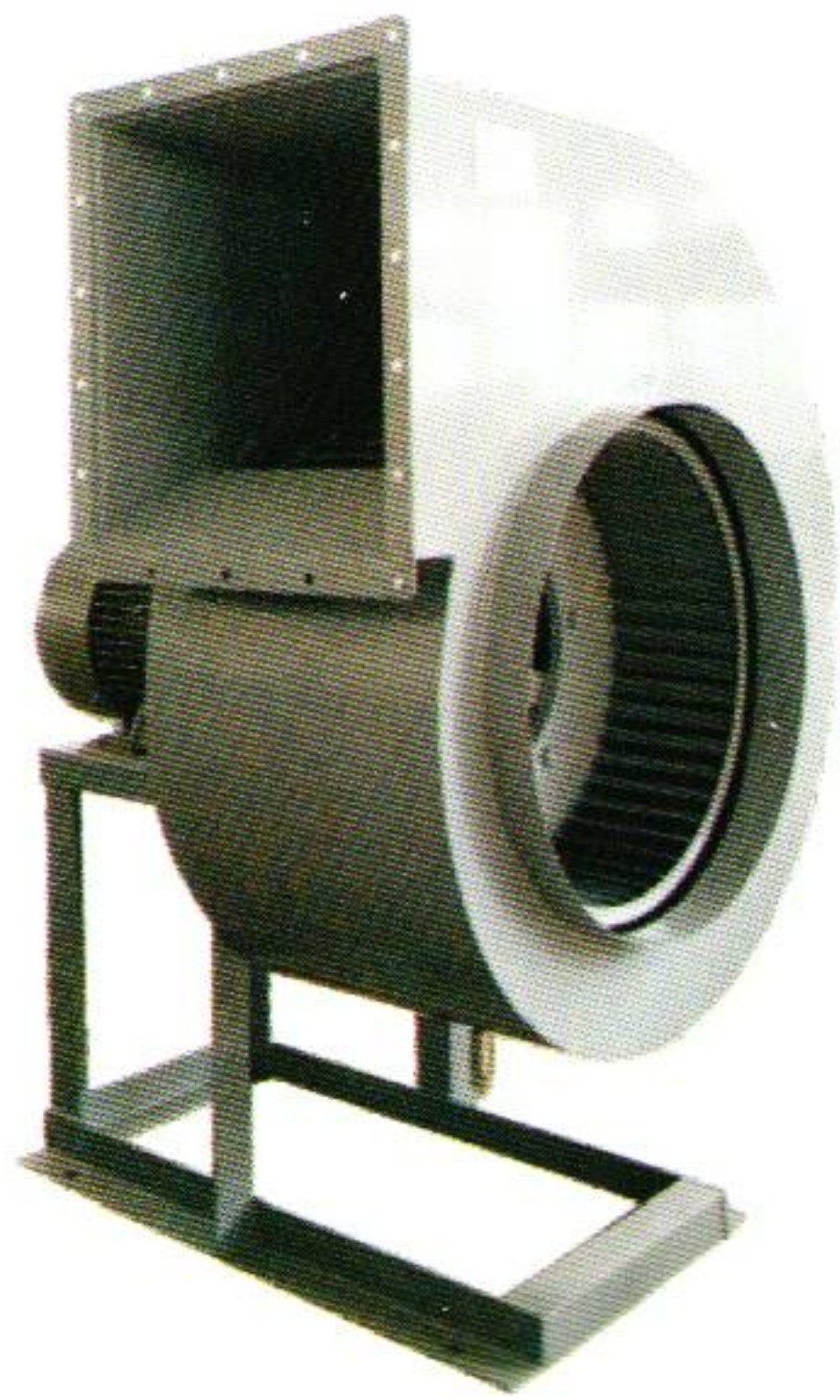


Wiring Diagram:





UHF 5A 7.5KW



Description:

- ◆ SIEMENS motor, IP 55 with class F insulation
- ◆ Motor voltage: Three Phase 220/380V, 50/60Hz
- ◆ High efficiency motor
- ◆ Bearing: High quality ball bearing
- ◆ Thermal overload protection
- ◆ Direction of rotation: Clockwise, seen on impeller
- ◆ The wheel diameter: 490mm
- ◆ The scroll housing thickness: 4mm
- ◆ The operating ambient temperature: $-30^{\circ}\text{C} \sim +90^{\circ}\text{C}$



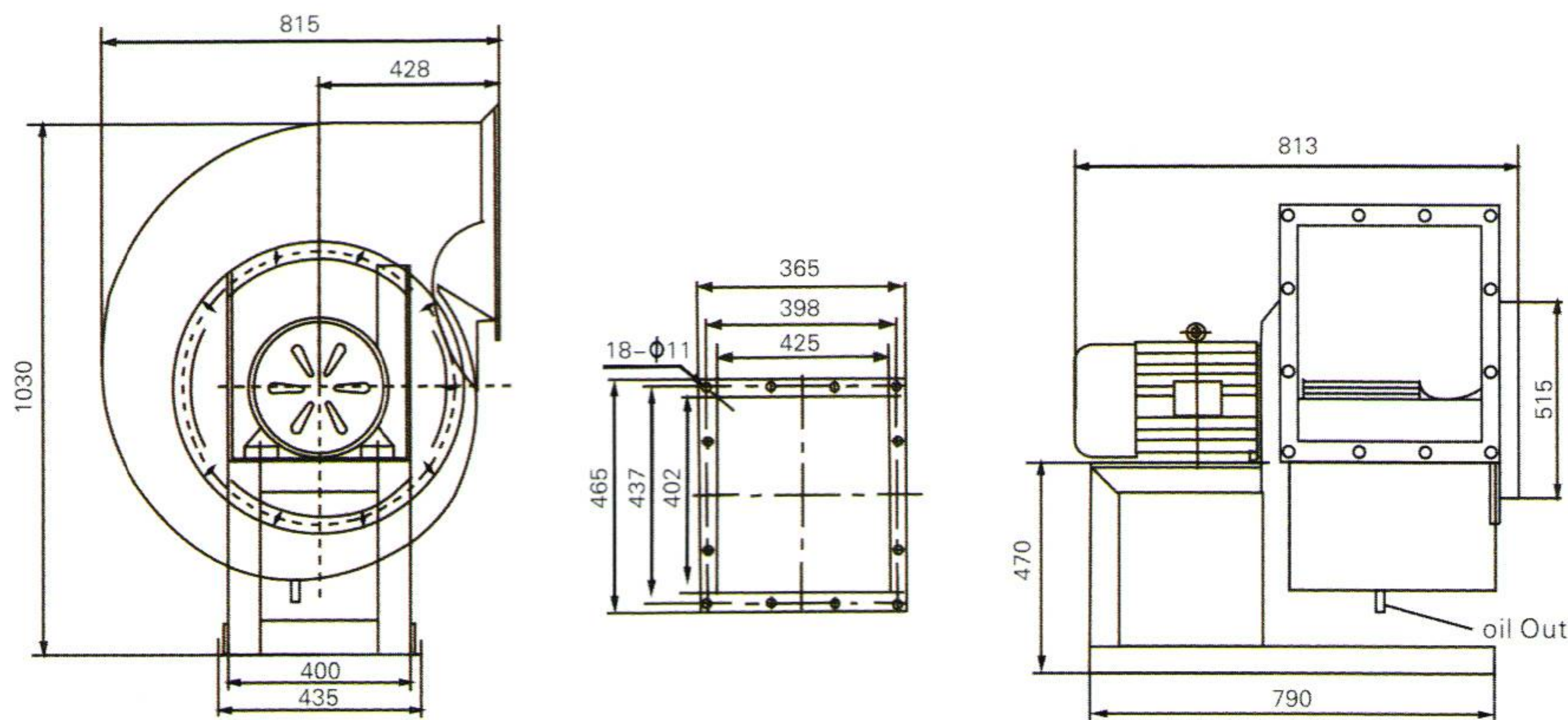
Performance Data:

	$\text{m}^3/\text{h} @ \text{Pa}$									
	0	62.5	125	187.5	250	312.5	375	437.5	500	562.5
m^3/h	20500	19762	19200	18500	17850	17200	16300	15427	14400	13132
dB(A)	80	80	80	80	81	81	81	82	82	82
BKW	5.676	5.789	6.000	6.183	6.253	6.398	6.422	6.444	6.388	6.267

Specifications:

Model	Voltage (V)	Frequency (Hz)	Power (KW)	Current (A)	Speed (RPM)	Air Flow		Noise (dB)	Pressure (Pa)	Weight (Kg)
						m^3/h	CFM			
UHF5A	220	60	7.5	28.5	1160	20500	12058	80	960	225
	380	60	7.5	16.5	1160	20500	12058	80	960	225

Dimension: mm



Wiring Diagram:

