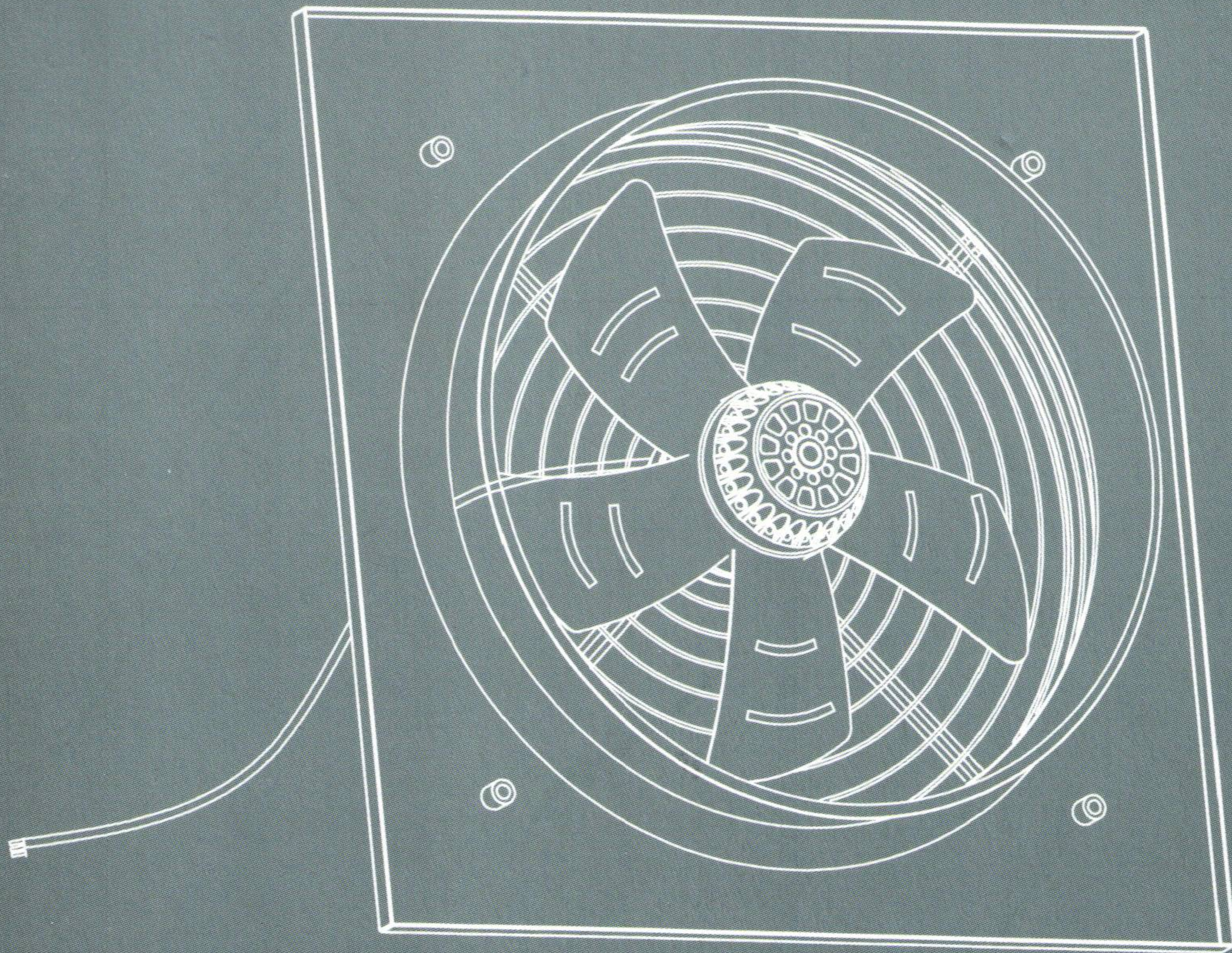


SASO COC CE

SINCE 2005

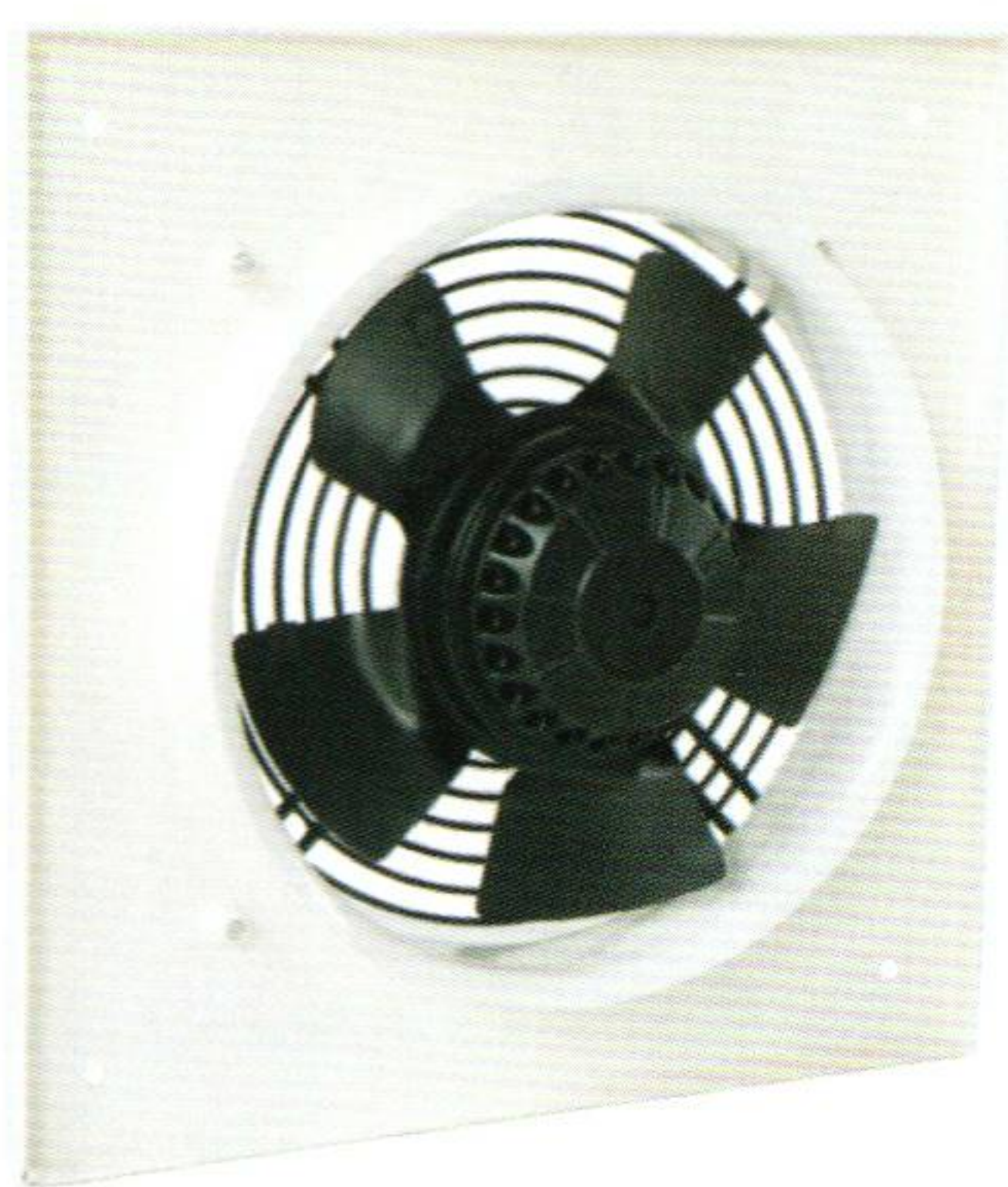
Compact Axial Fan



BRANCH OF BIN MAHRI TRADING EST.
JEDDAH-SAUDI ARABIA.
TEL:+966 12 2842402
FAX:+966 12 2842557
EMAIL:hbmvent@hbm-sa.com
Website:hbm-sa.com

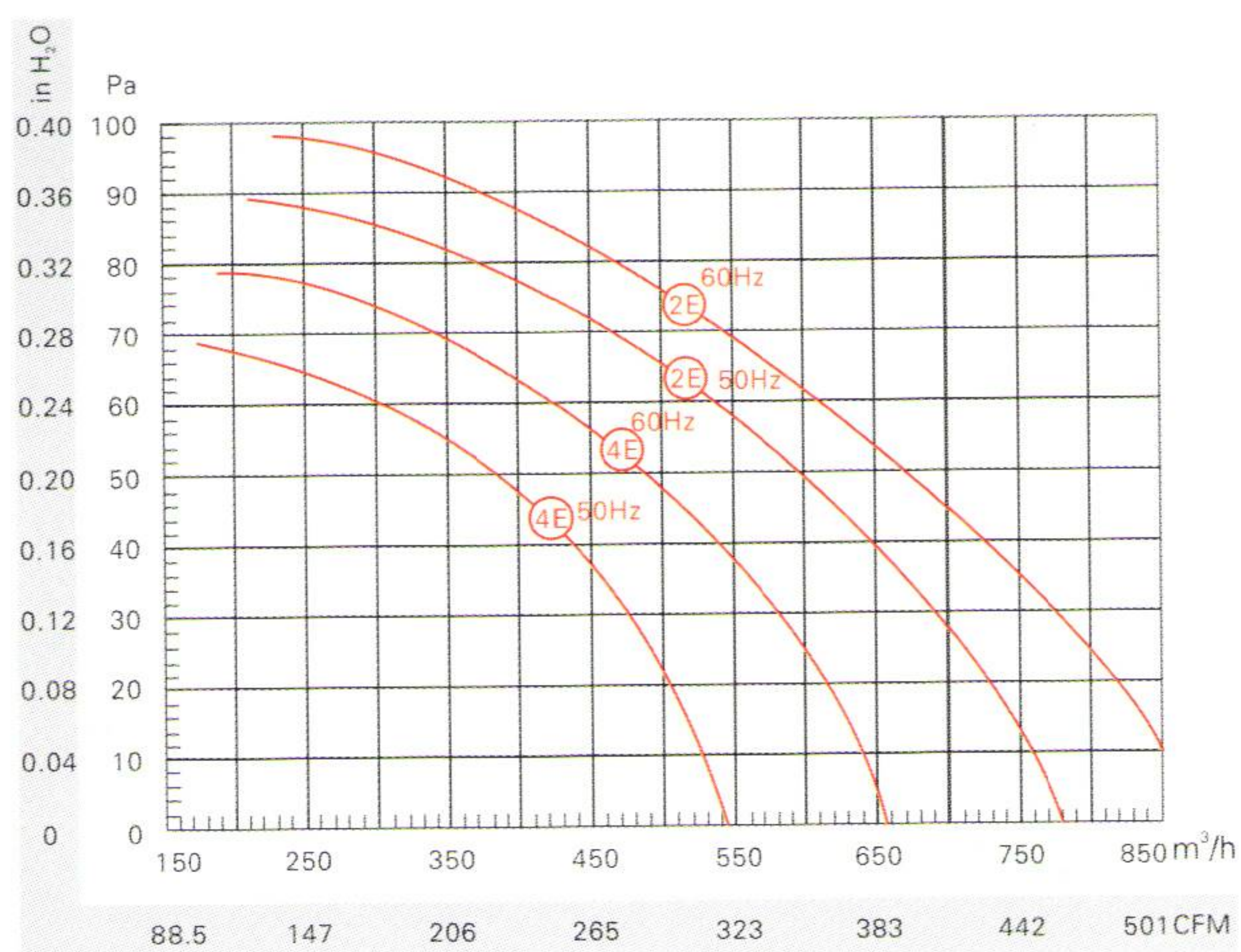


SWE200



Description:

- ◆ Motor is external rotor motor, IP 44 with class F insulation
- ◆ Motor voltage: 220–240V, 50/60Hz
- ◆ Direction of rotation: Clockwise, seen on rotor
- ◆ Bearing: High quality ball bearing
- ◆ The Impeller made of high quality ST12 steel
- ◆ Thermal overload protection
- ◆ Mode of operation: Continuous operation (S1)
- ◆ The using ambient temperature: $-30^{\circ}\text{C} \sim +60^{\circ}\text{C}$



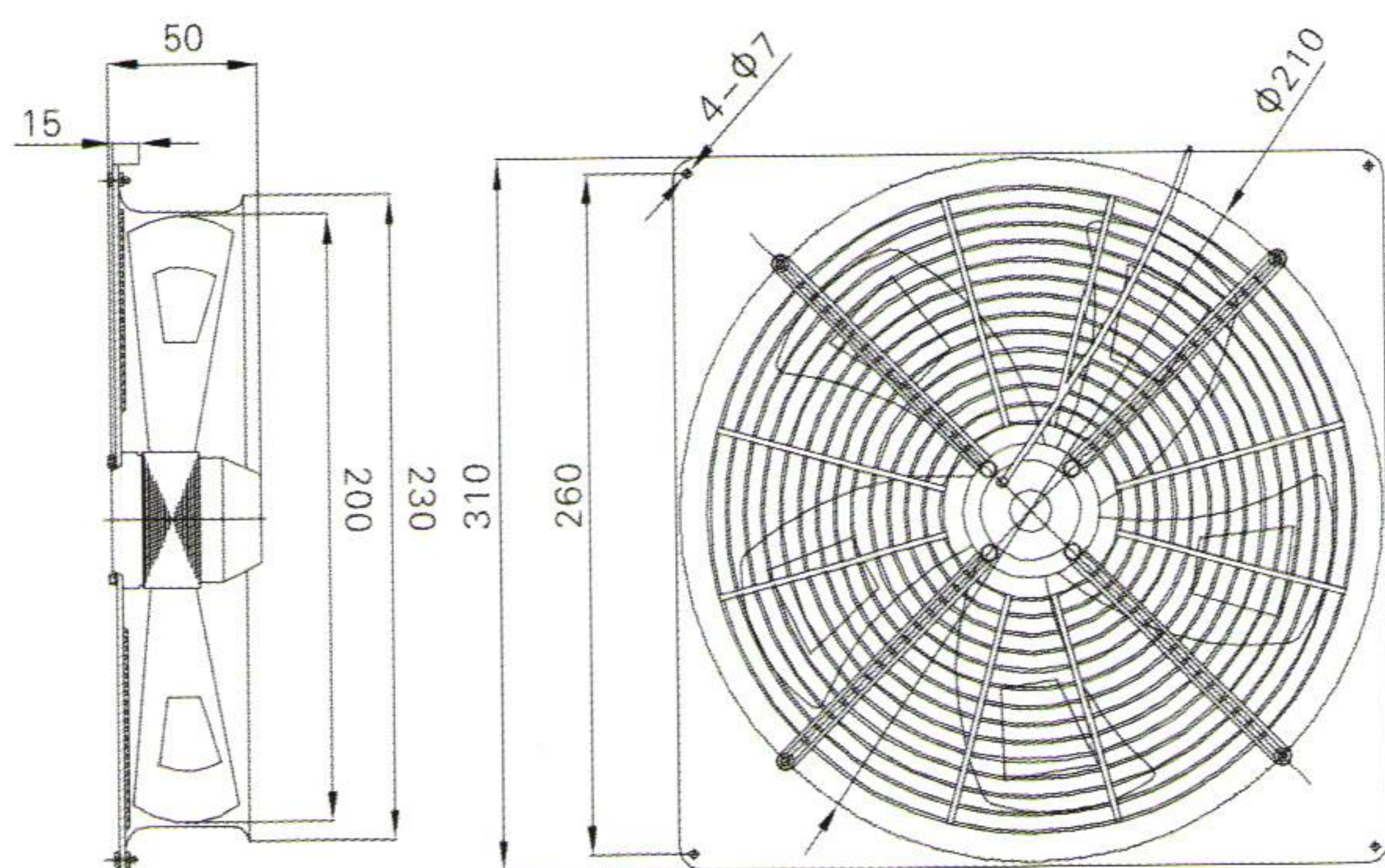
Performance Data:

Pole/Fre.	m ³ /h @ Pa									
	0	10	20	30	40	50	60	70	80	90
2E-50Hz	779	760	730	690	650	600	550	470	370	
2E-60Hz	915	850	820	875	725	670	615	540	470	372
4E-50Hz	542	525	505	475	439	382	302			
4E-60Hz	655	640	612	580	540	489	422	340		

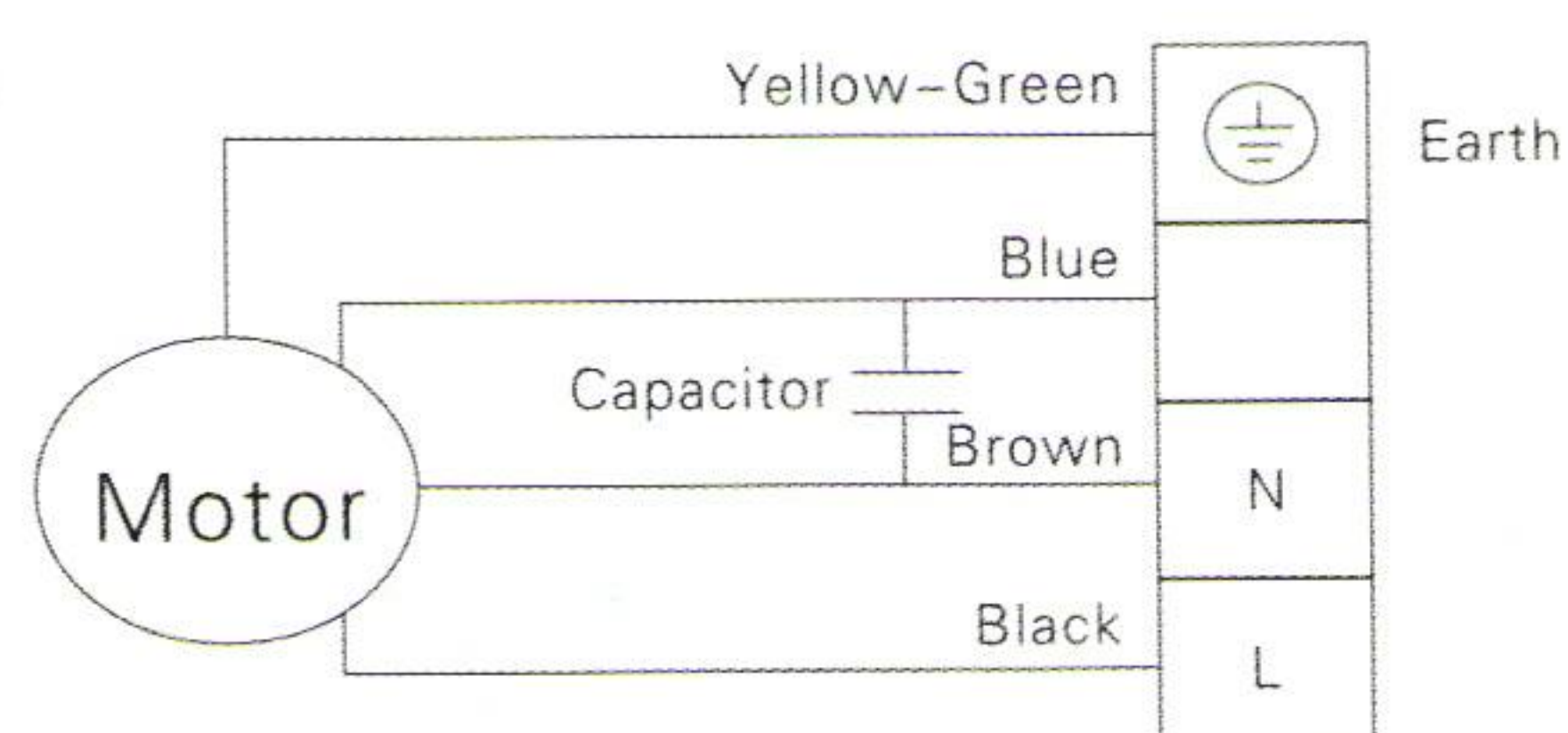
Specifications:

Model	Voltage (V)	Frequency (Hz)	Current (A)	Input Power (W)	Speed (RPM)	Max Air Flow		Capacitor (uF)	Noise (dB)
						m ³ /h	CFM		
SWE200-2E	220–240	50	0.35	75	2300	779	458	2	50
		60	0.36	82	2590	915	538	2	51
SWE200-4E	220–240	50	0.20	40	1380	542	319	1.5	45
		60	0.20	45	1670	655	385	1.5	46

Dimension: mm

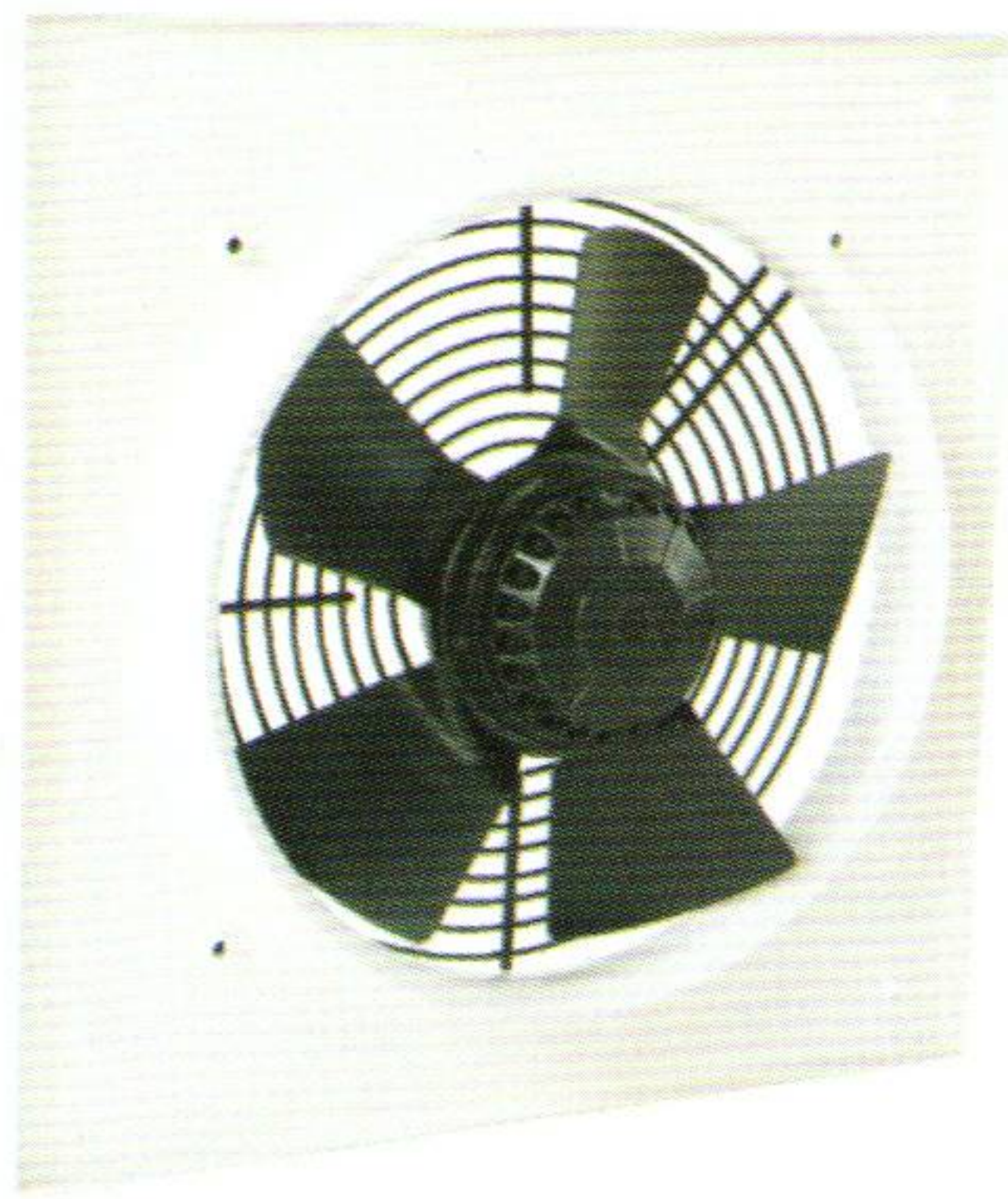


Wiring Diagram



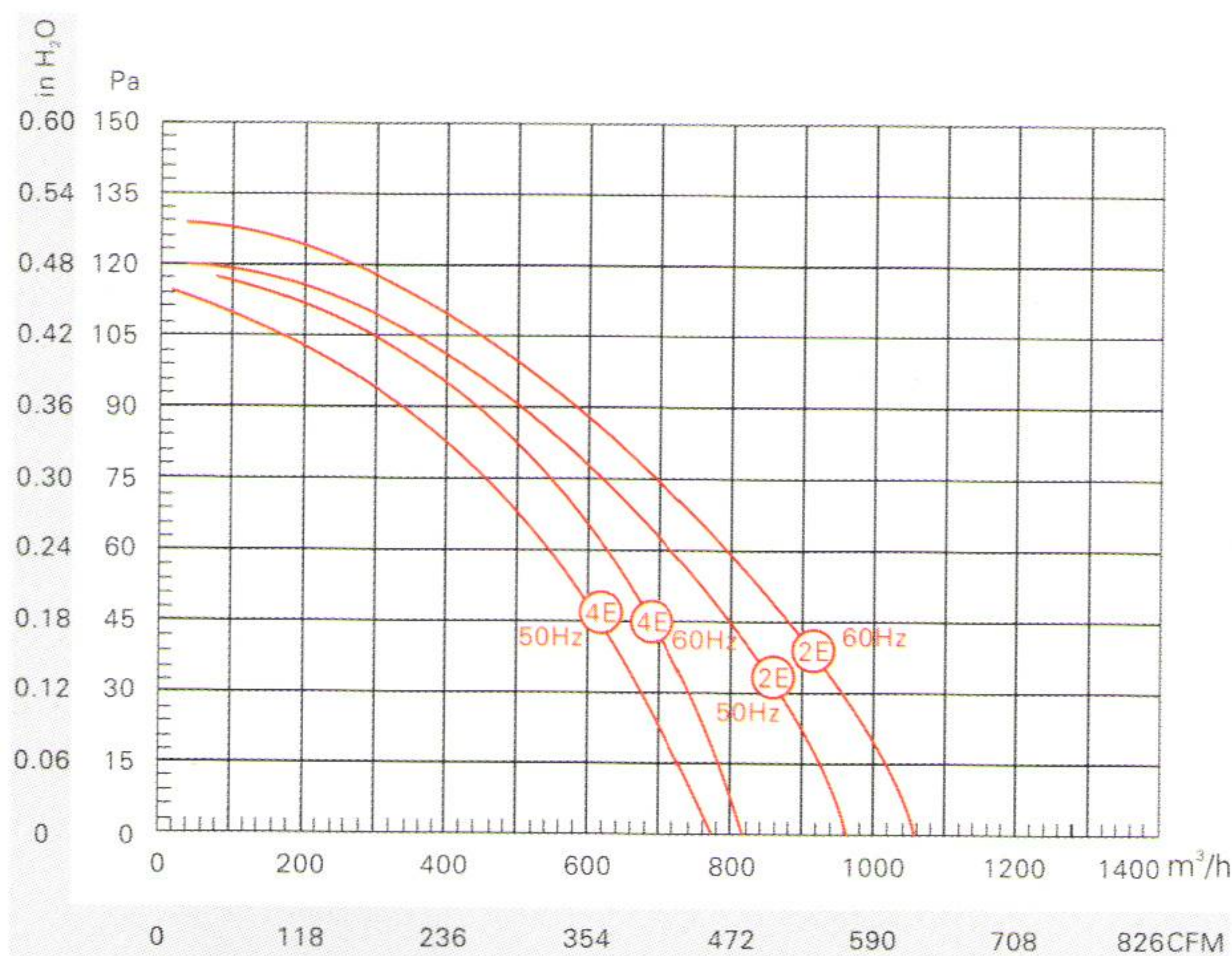


SWE250



Description:

- ◆ Motor is external rotor motor, IP 44 with class F insulation
- ◆ Motor voltage: 220-240V, 50/60Hz
- ◆ Direction of rotation: Clockwise, seen on rotor
- ◆ Bearing: High quality ball bearing
- ◆ The Impeller made of high quality ST12 steel
- ◆ Thermal overload protection
- ◆ Mode of operation: Continuous operation (S1)
- ◆ The using ambient temperature: -30°C ~ +60°C



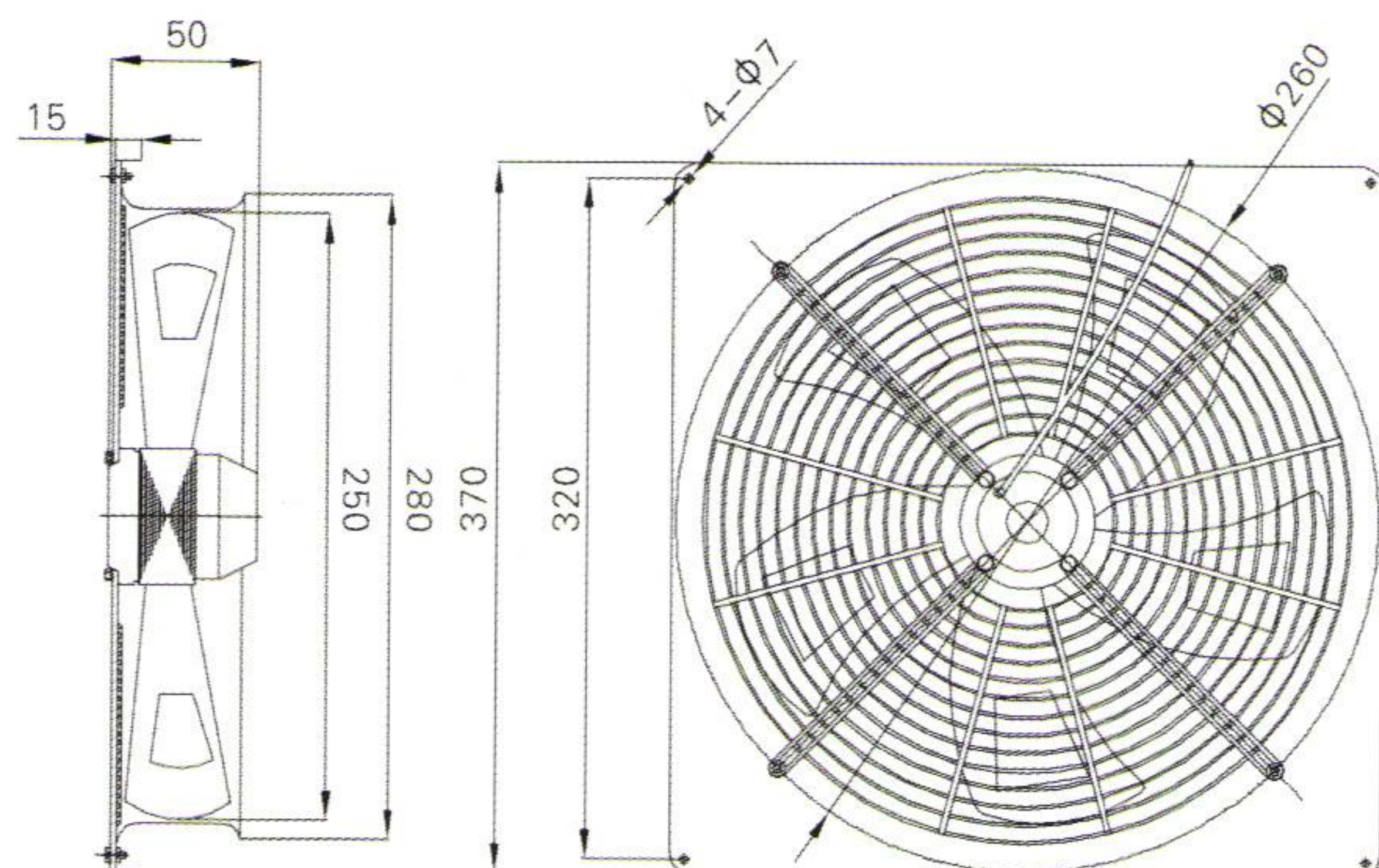
Performance Data:

Pole/Fre.	m³/h @ Pa								
	0	15	30	45	60	75	90	105	120
2E-50Hz	966	922	862	800	720	620	500	348	159
2E-60Hz	1056	1020	960	880	798	699	581	441	265
4E-50Hz	774	722	669	619	542	450	328	164	
4E-60Hz	814	782	740	680	622	542	440	300	

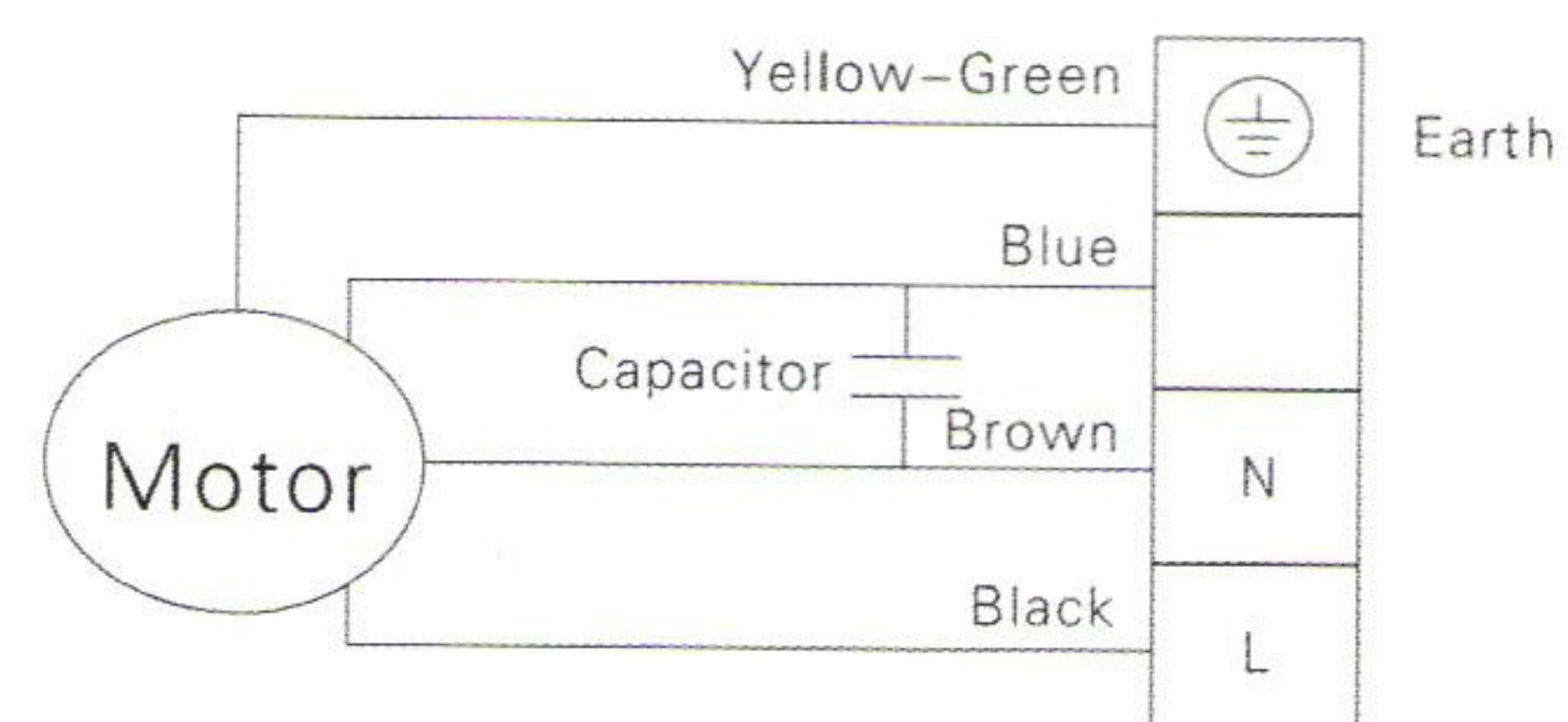
Specifications:

Model	Voltage (V)	Frequency (Hz)	Current (A)	Input Power (W)	Speed (RPM)	Max Air Flow		Capacitor (uF)	Noise (dB)
						m³/h	CFM		
SWE250-2E	220-240	50	0.49	105	2430	966	568	3	56
		60	0.58	130	2660	1056	621	3	57
SWE250-4E	220-240	50	0.25	56	1400	774	455	2	52
		60	0.27	65	1600	814	479	2	53

Dimension: mm

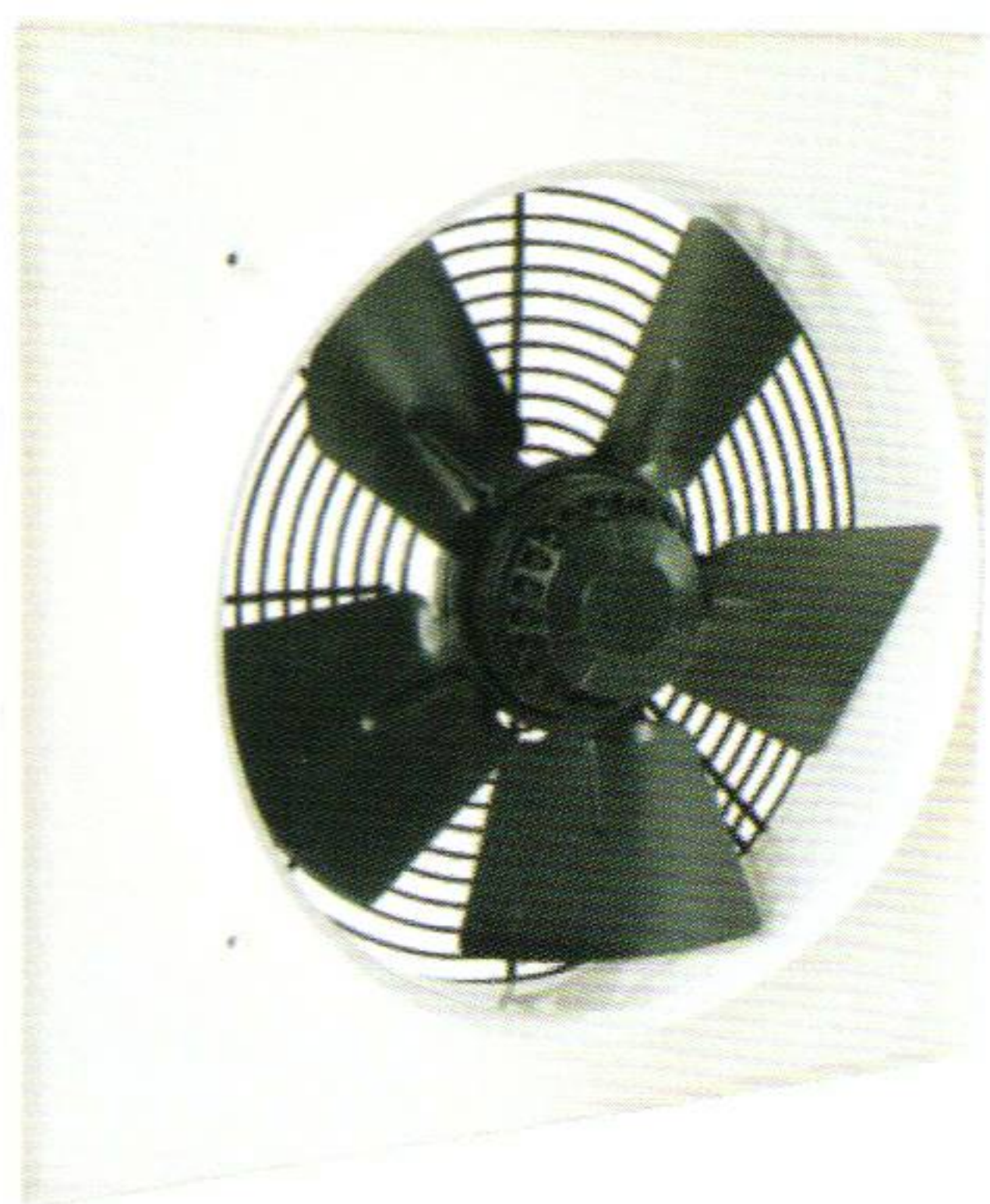


Wiring Diagram



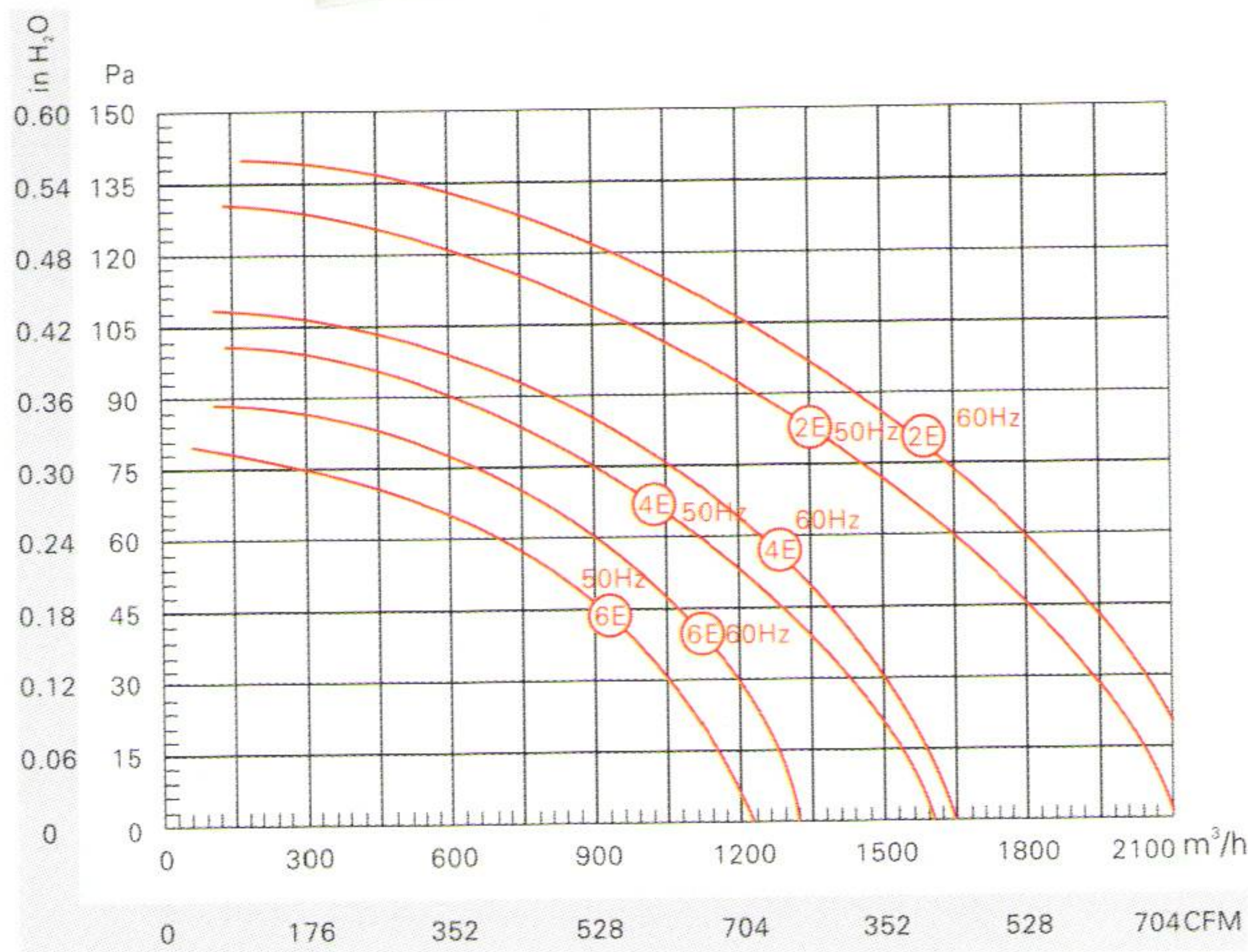


SWE300



Description:

- ◆ Motor is external rotor motor, IP 44 with class F insulation
- ◆ Motor voltage: 220-240V, 50/60Hz
- ◆ Direction of rotation: Clockwise, seen on rotor
- ◆ Bearing: High quality ball bearing
- ◆ The Impeller made of high quality ST12 steel
- ◆ Thermal overload protection
- ◆ Mode of operation: Continuous operation (S1)
- ◆ The using ambient temperature: -30°C ~ +60°C



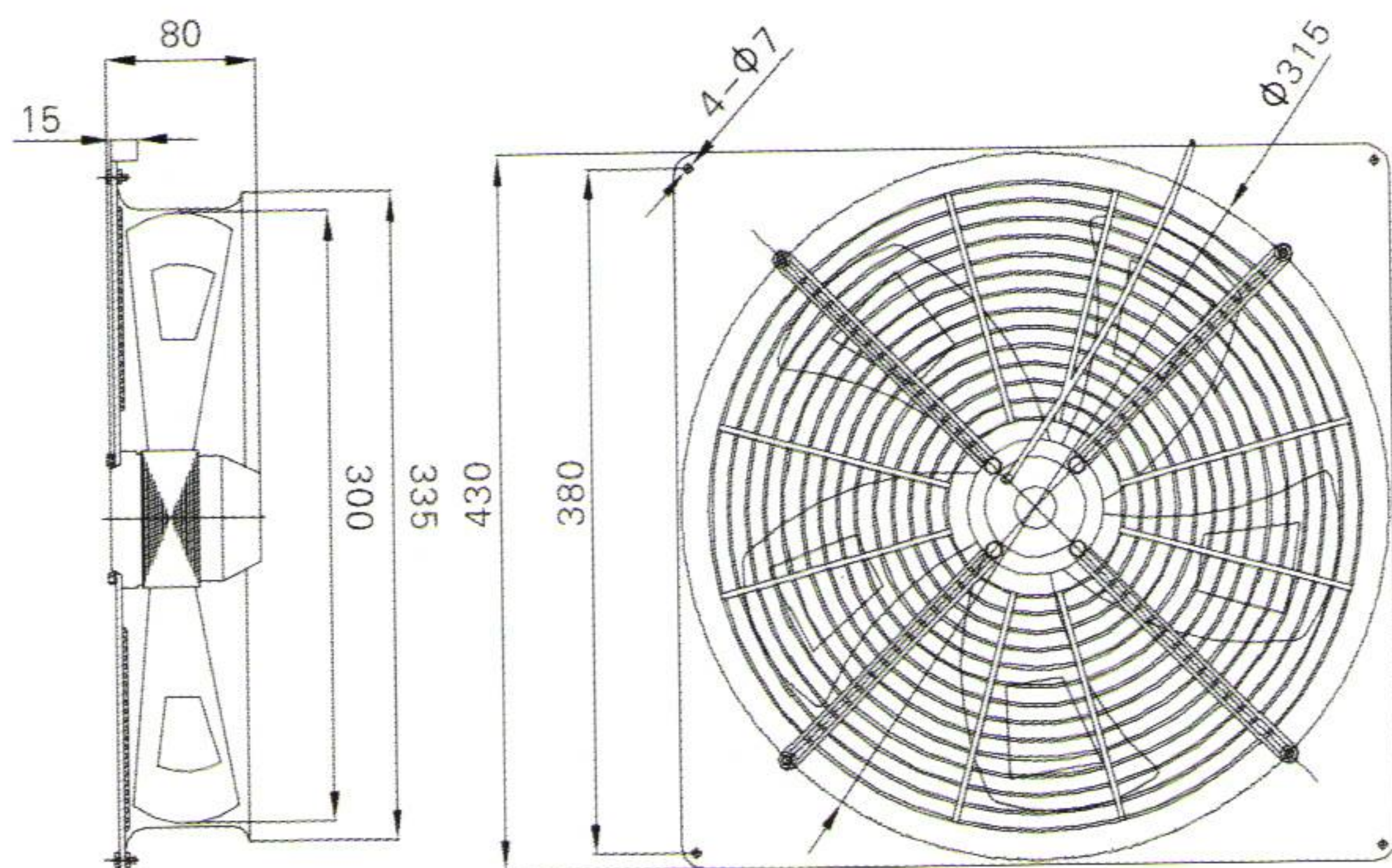
Performance Data:

Pole/Fre.	m³/h @ Pa								
	0	15	30	45	60	75	90	105	120
2E-50Hz	2142	2040	1949	1800	1650	1468	1232	962	630
2E-60Hz	2210	2150	2042	1935	1800	1622	1422	1215	932
4E-50Hz	1608	1532	1438	1290	1081	900	600		
4E-60Hz	1731	1608	1500	1381	1245	1050	750	361	
6E-50Hz	1267	1142	1050	900	752	300			
6E-60Hz	1318	1275	1200	1080	900	638			

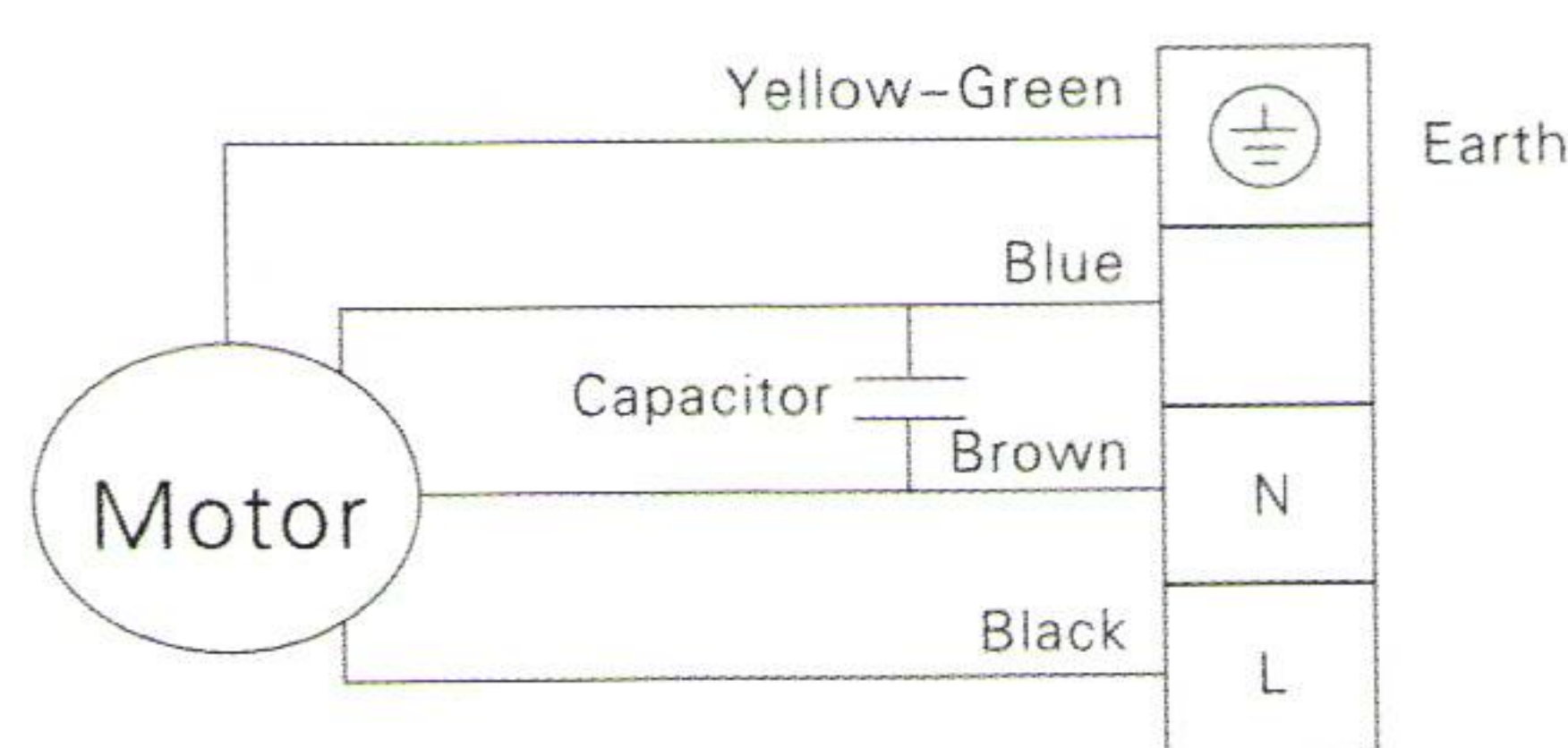
Specifications:

Model	Voltage (V)	Frequency (Hz)	Current (A)	Input Power (W)	Speed (RPM)	Max Air Flow		Capacitor (uF)	Noise (dB)
						m³/h	CFM		
SWE300-2E	220-240	50	0.92	180	2360	2142	1260	5	60
		60	0.95	200	2780	2210	1300	5	61
SWE300-4E	220-240	50	0.40	80	1340	1608	946	3	58
		60	0.52	120	1490	1731	1018	3	59
SWE300-6E	220-240	50	0.23	50	905	1267	745	1.5	50
		60	0.25	60	1035	1318	775	1.5	51

Dimension: mm

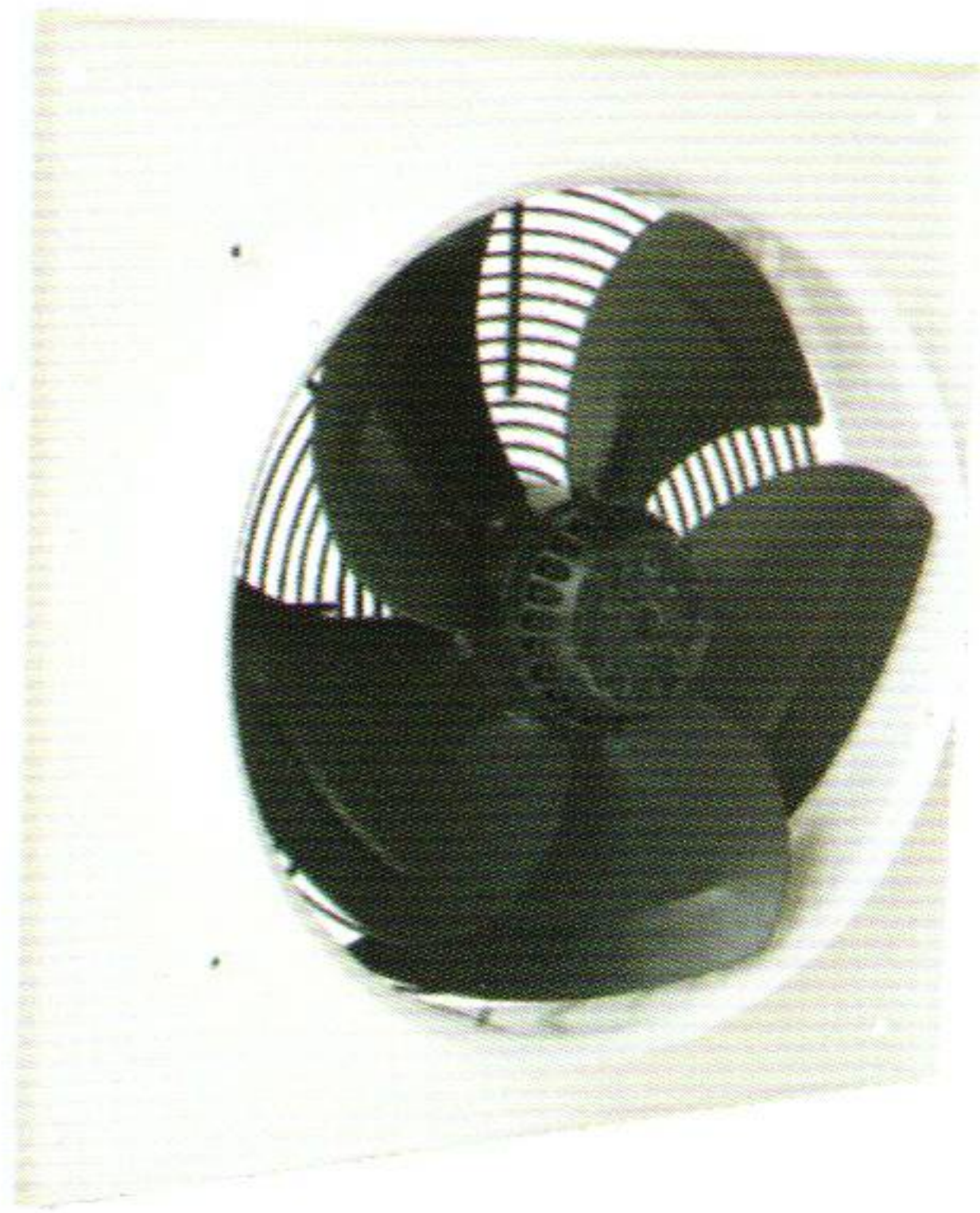


Wiring Diagram



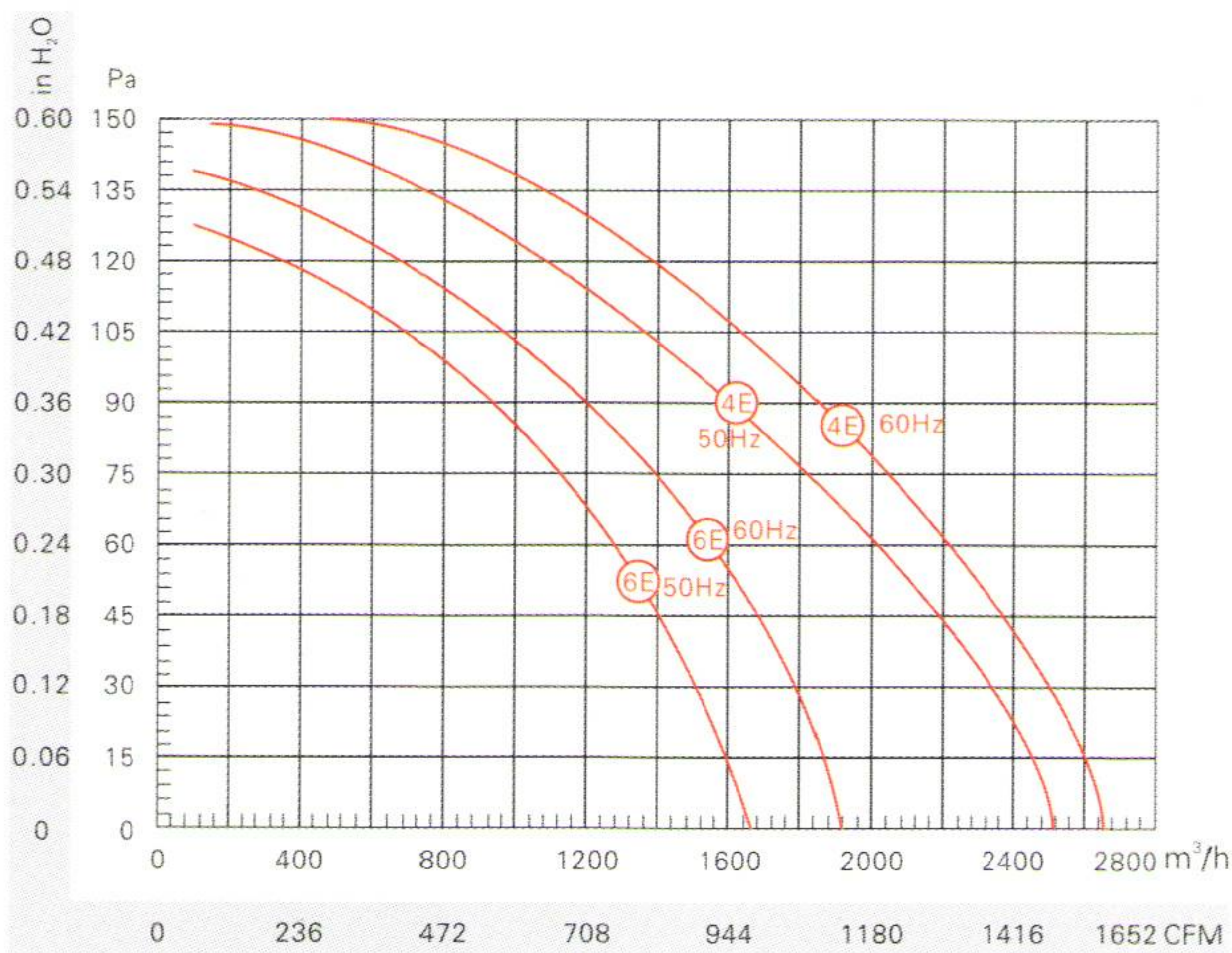


SWE350



Description:

- ◆ Motor is external rotor motor, IP 44 with class F insulation
- ◆ Motor voltage: 220–240V, 50/60Hz
- ◆ Direction of rotation: Clockwise, seen on rotor
- ◆ Bearing: High quality ball bearing
- ◆ The Impeller made of high quality ST12 steel
- ◆ Thermal overload protection
- ◆ Mode of operation: Continuous operation (S1)
- ◆ The using ambient temperature: $-30^{\circ}\text{C} \sim +60^{\circ}\text{C}$



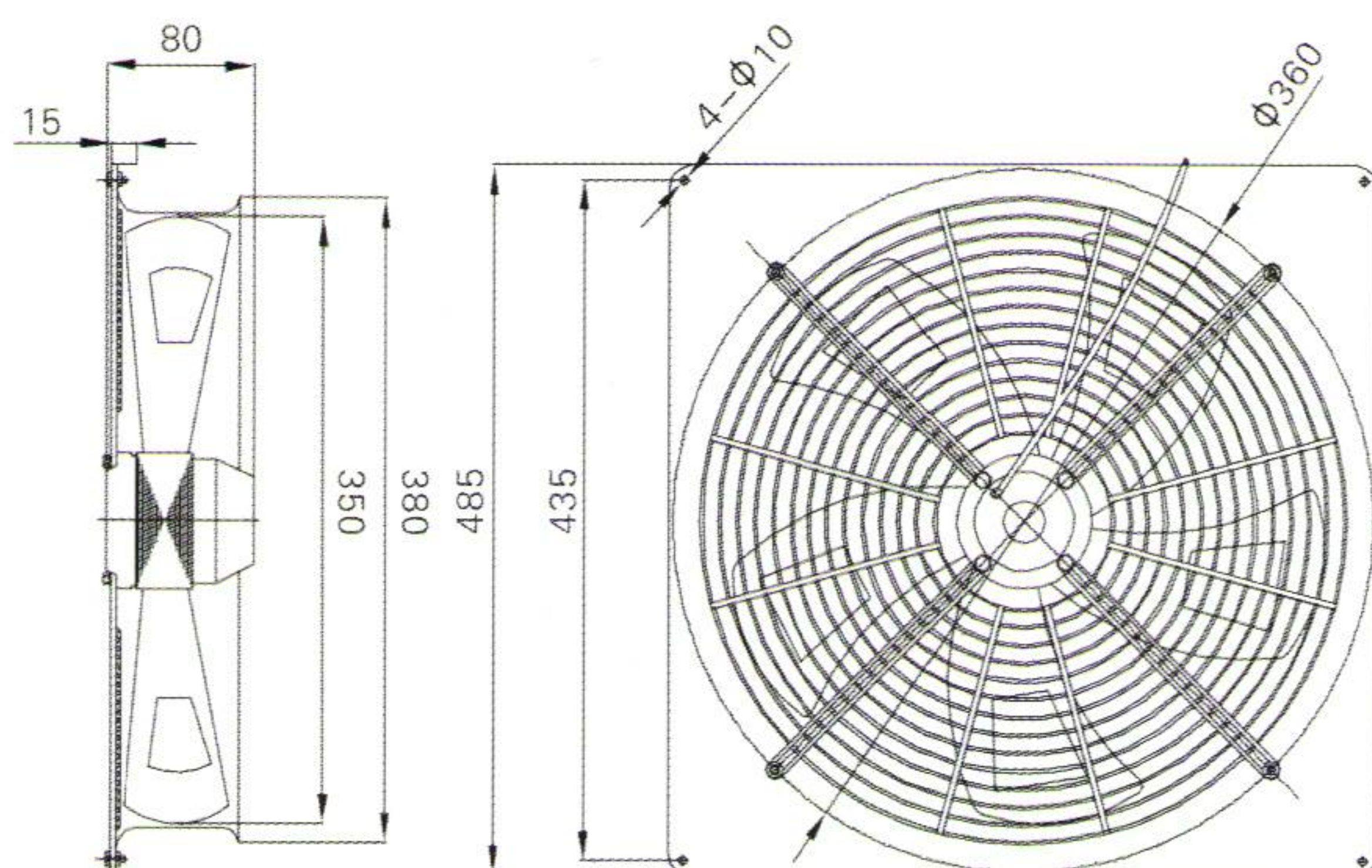
Performance Data:

Pole/Fre.	m³/h @ Pa										
	0	15	30	45	60	75	90	105	120	135	150
4E-50Hz	2514	2460	2340	2200	2020	1827	1600	1400	1040	732	
4E-60Hz	2666	2600	2500	2362	2220	2040	1865	1639	1800	1100	520
6E-50Hz	1659	1600	1500	1400	1280	1120	920	681	360		
6E-60Hz	1911	1958	1401	1680	1540	1400	1200	960	640		

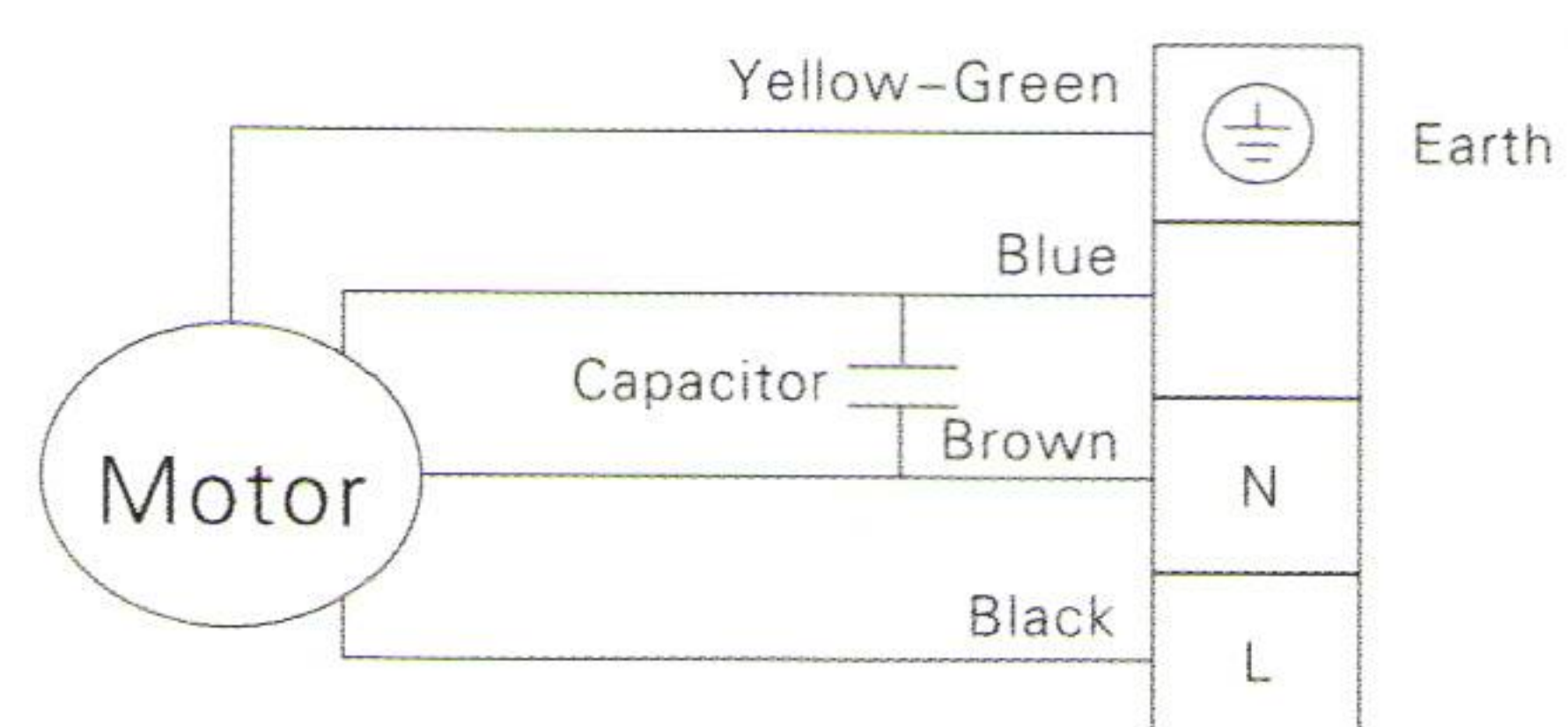
Specifications:

Model	Voltage (V)	Frequency (Hz)	Current (A)	Input Power (W)	Speed (RPM)	Max Air Flow		Capacitor (uF)	Noise (dB)
						m³/h	CFM		
SWE350-4E	220-240	50	0.64	130	1390	2514	1479	4	62
		60	0.68	160	1610	2666	1568	4	63
SWE350-6E	220-240	50	0.50	80	900	1659	976	3	58
		60	0.52	100	1050	1911	1124	3	59

Dimension: mm

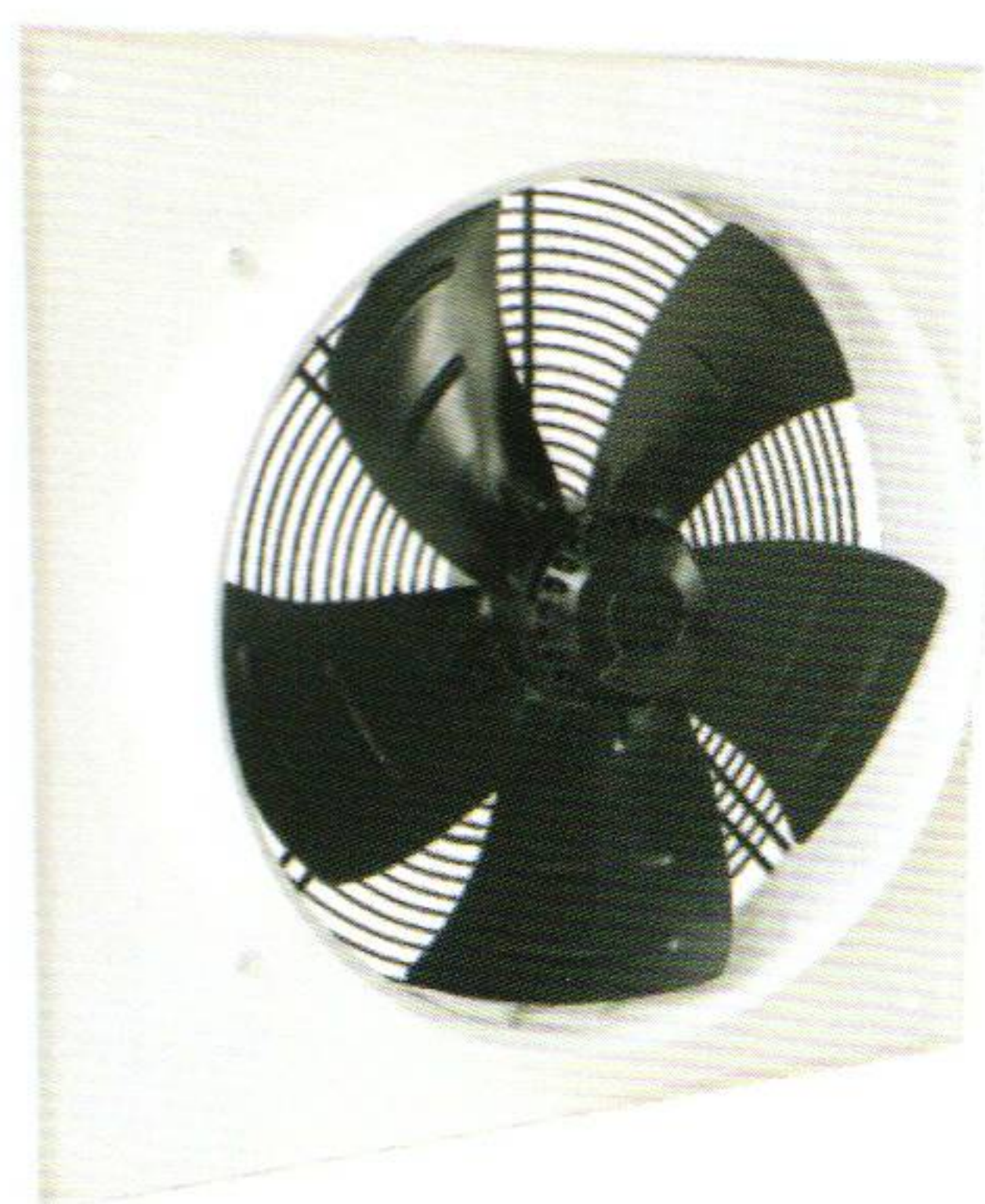


Wiring Diagram



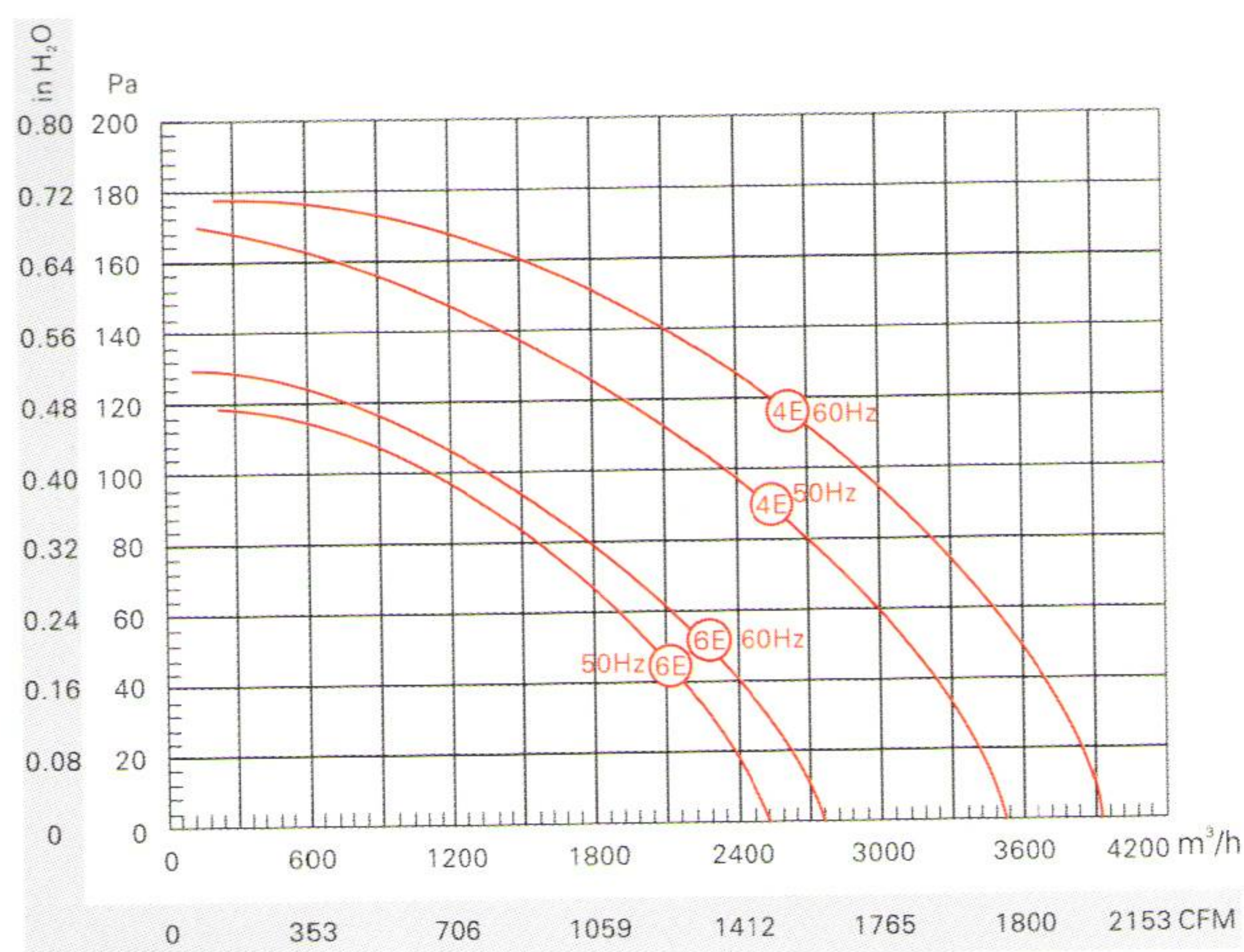


SWE400



Description:

- ◆ Motor is external rotor motor, IP 44 with class F insulation
- ◆ Motor voltage: 220-240V, 50/60Hz
- ◆ Direction of rotation: Clockwise, seen on rotor
- ◆ Bearing: High quality ball bearing
- ◆ The Impeller made of high quality ST12 steel
- ◆ Thermal overload protection
- ◆ Mode of operation: Continuous operation (S1)
- ◆ The using ambient temperature: -30°C ~ +60°C



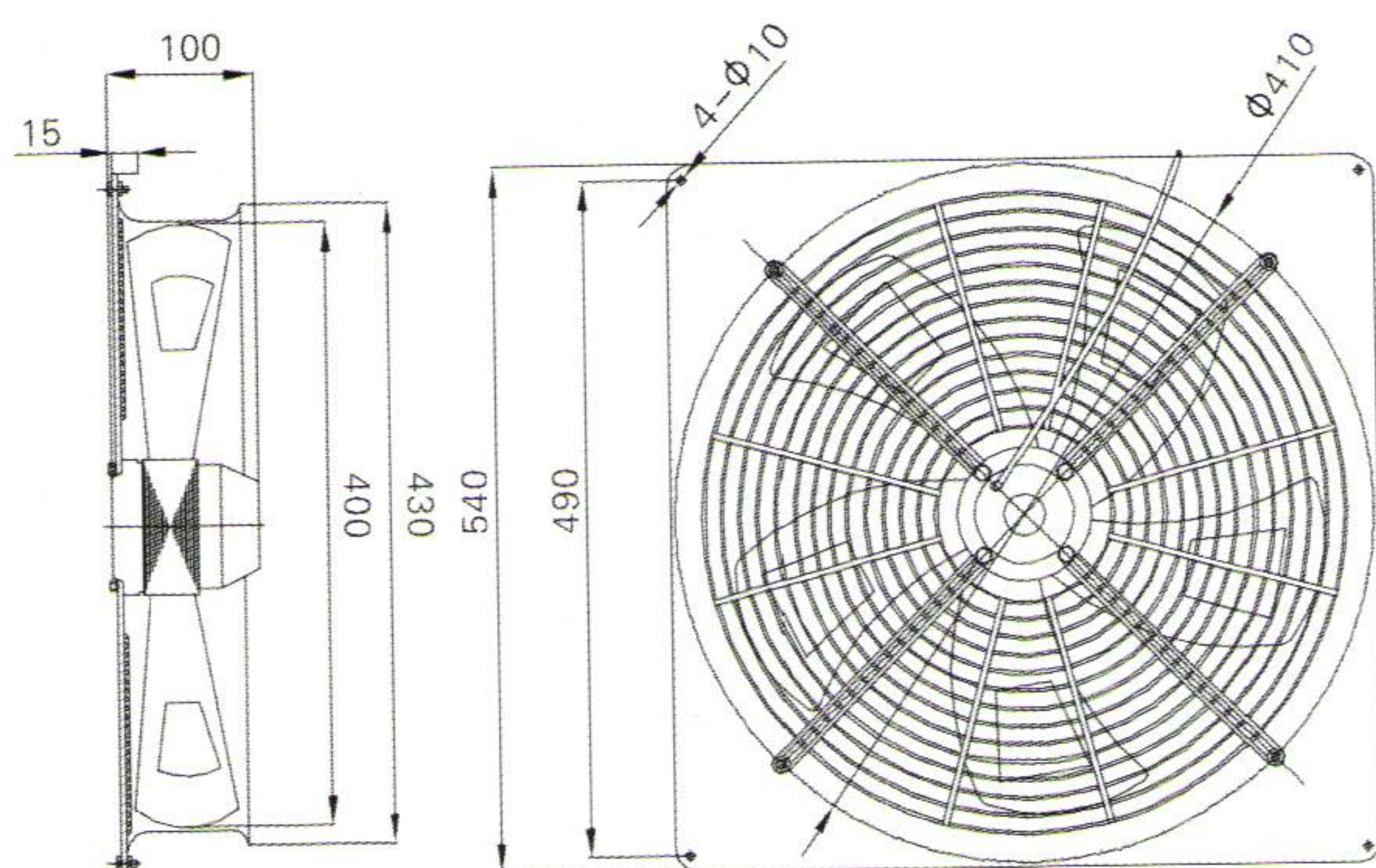
Performance Data:

Pole/Fre.	m³/h @ Pa								
	0	20	40	60	80	100	120	140	160
4E-50Hz	3521	3420	3240	3000	2700	2300	1922	1439	740
4E-60Hz	4022	3860	3220	2938	2540	2100	1500		
6E-50Hz	2525	2380	2160	1918	1560	1110			
6E-60Hz	2766	2630	2400	2150	1800	1350	750		

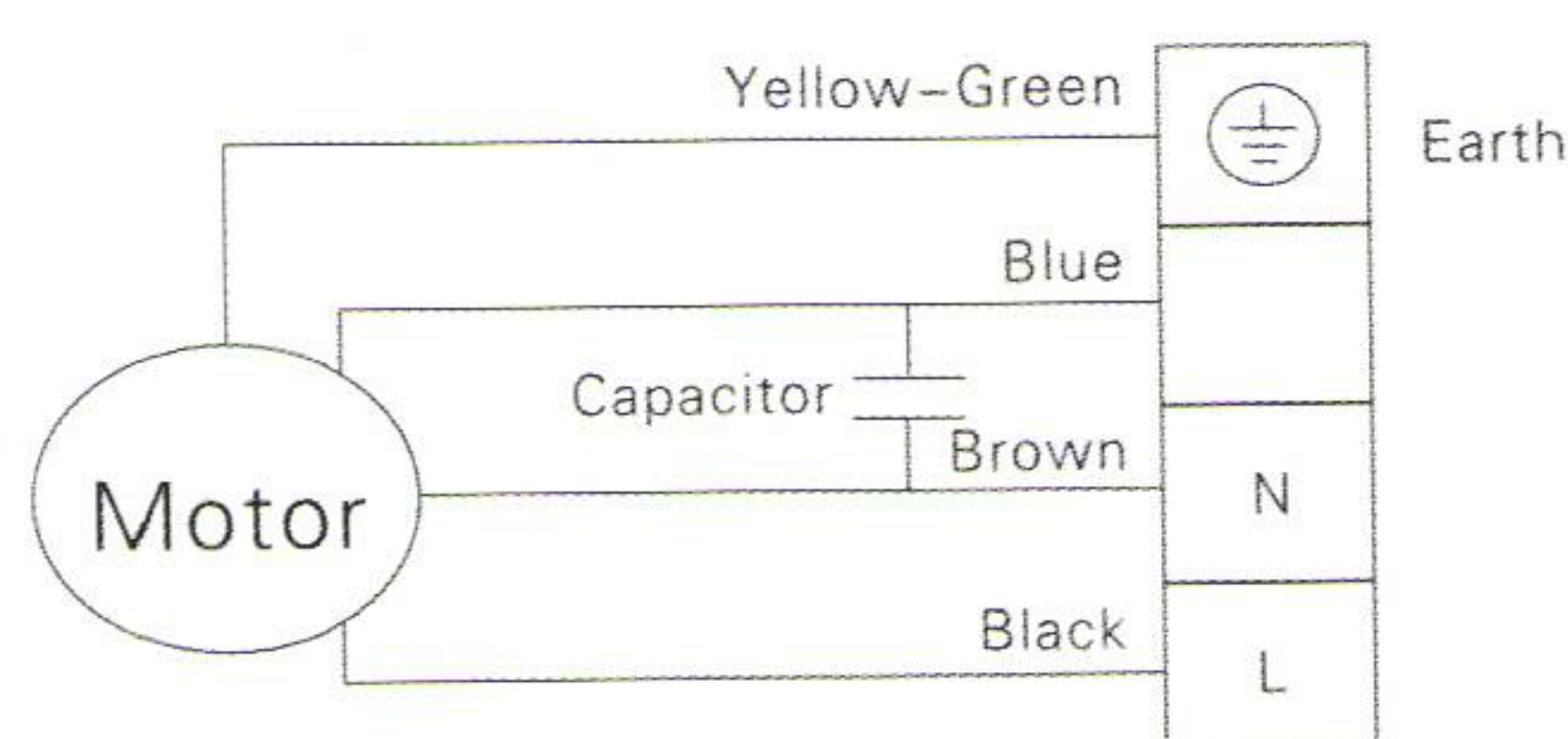
Specifications:

Model	Voltage (V)	Frequency (Hz)	Current (A)	Input Power (W)	Speed (RPM)	Max Air Flow		Capacitor (uF)	Noise (dB)
						m³/h	CFM		
SWE400-4E	220-240	50	0.67	170	1380	3521	2071	5	68
		60	0.80	190	1590	4022	2366	5	69
SWE400-6E	220-240	50	0.43	93	925	2525	1485	3	58
		60	0.46	105	1120	2766	1627	3	59

Dimension: mm

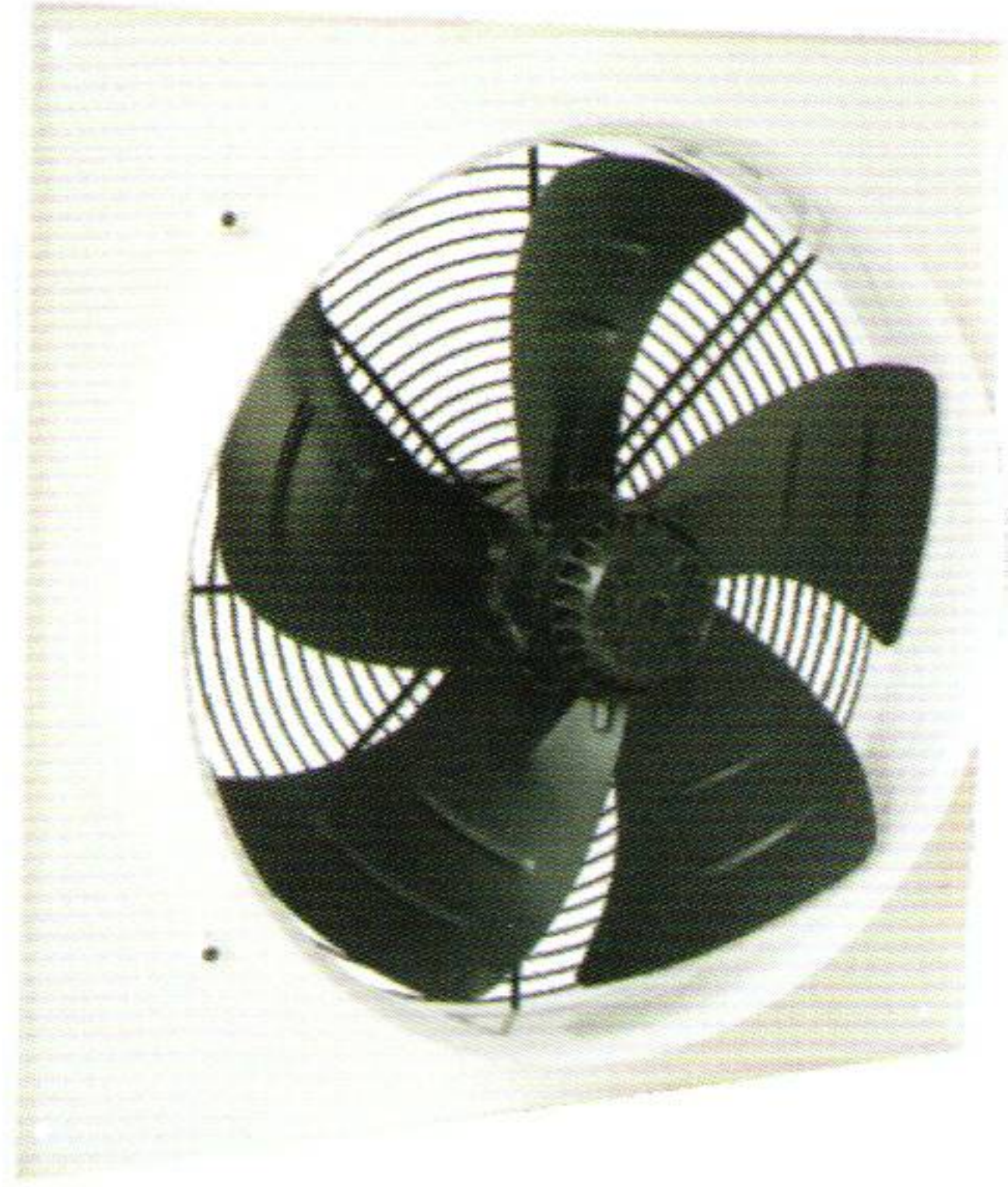


Wiring Diagram



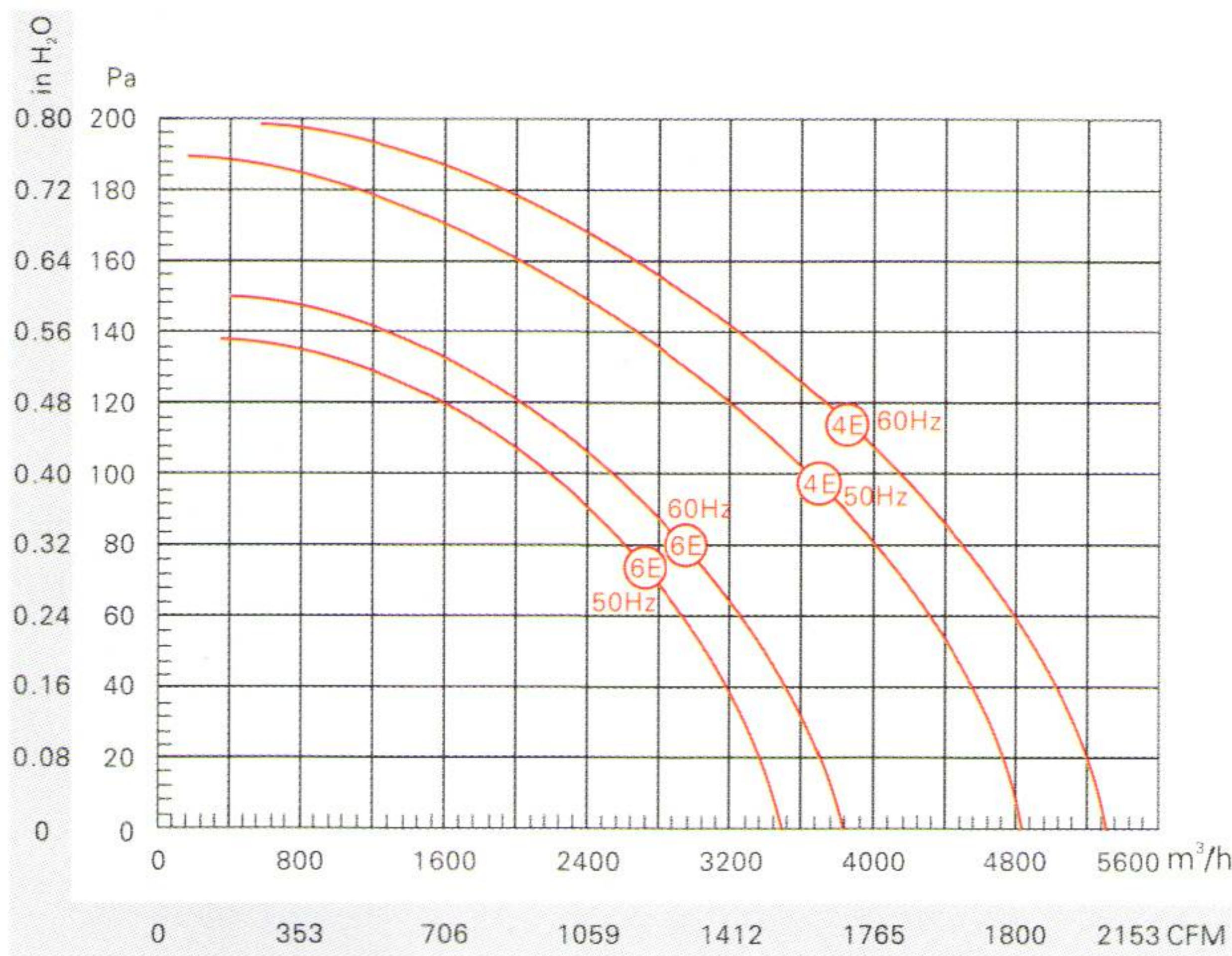


SWE450



Description:

- ◆ Motor is external rotor motor, IP 44 with class F insulation
- ◆ Motor voltage: 220-240V, 50/60Hz
- ◆ Direction of rotation: Clockwise, seen on rotor
- ◆ Bearing: High quality ball bearing
- ◆ The Impeller made of high quality ST12 steel
- ◆ Thermal overload protection
- ◆ Mode of operation: Continuous operation (S1)
- ◆ The using ambient temperature: -30°C ~ +60°C



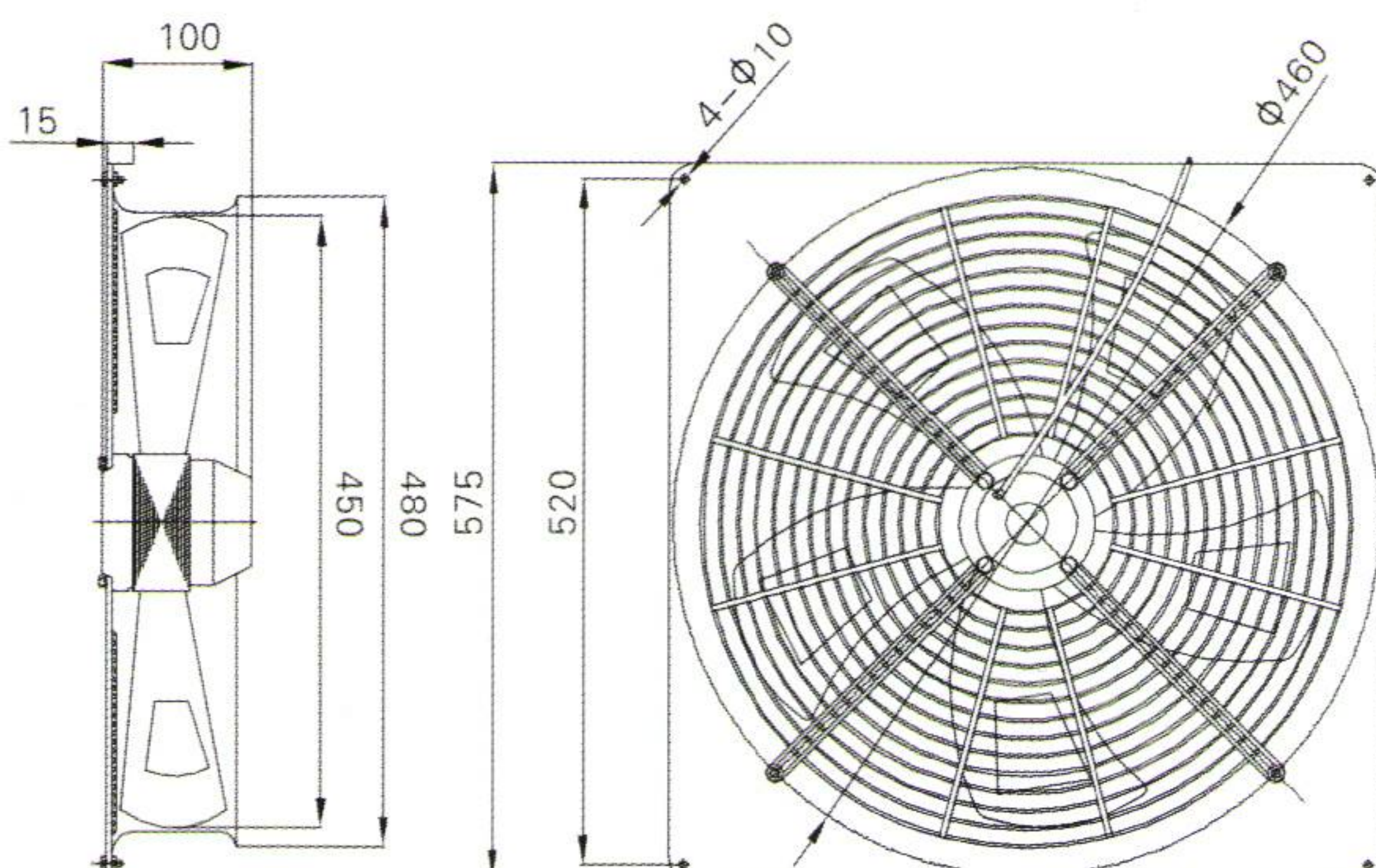
Performance Data:

Pole/Fre.	m³/h @ Pa									
	0	20	40	60	80	100	120	140	160	180
4E-50Hz	4828	4100	4560	4320	4000	3600	3200	2640	2000	1200
4E-60Hz	5290	5200	5039	4800	4480	4159	3759	3275	2640	1918
6E-50Hz	3485	3360	3198	3035	2600	2162	1600			
6E-60Hz	3825	3880	3520	3240	2900	2558	2000	1279		

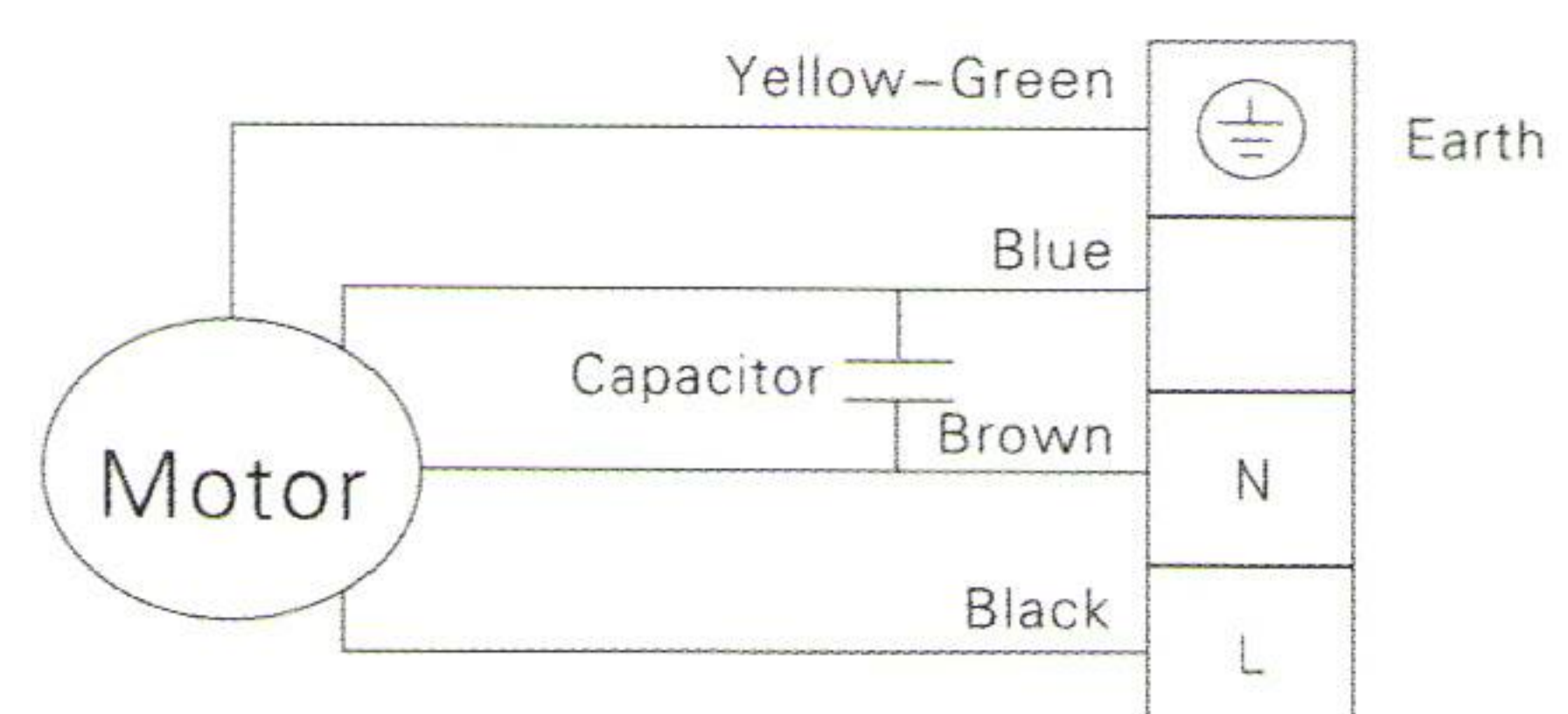
Specifications:

Model	Voltage (V)	Frequency (Hz)	Current (A)	Input Power (W)	Speed (RPM)	Max Air Flow		Capacitor (uF)	Noise (dB)
						m³/h	CFM		
SWE450-4E	220-240	50	0.91	200	1370	4828	2840	6	68
		60	1.14	250	1510	5290	3112	6	69
SWE450-6E	220-240	50	0.7	150	900	3485	2050	4	60
		60	0.8	170	1050	3825	2250	4	61

Dimension: mm



Wiring Diagram



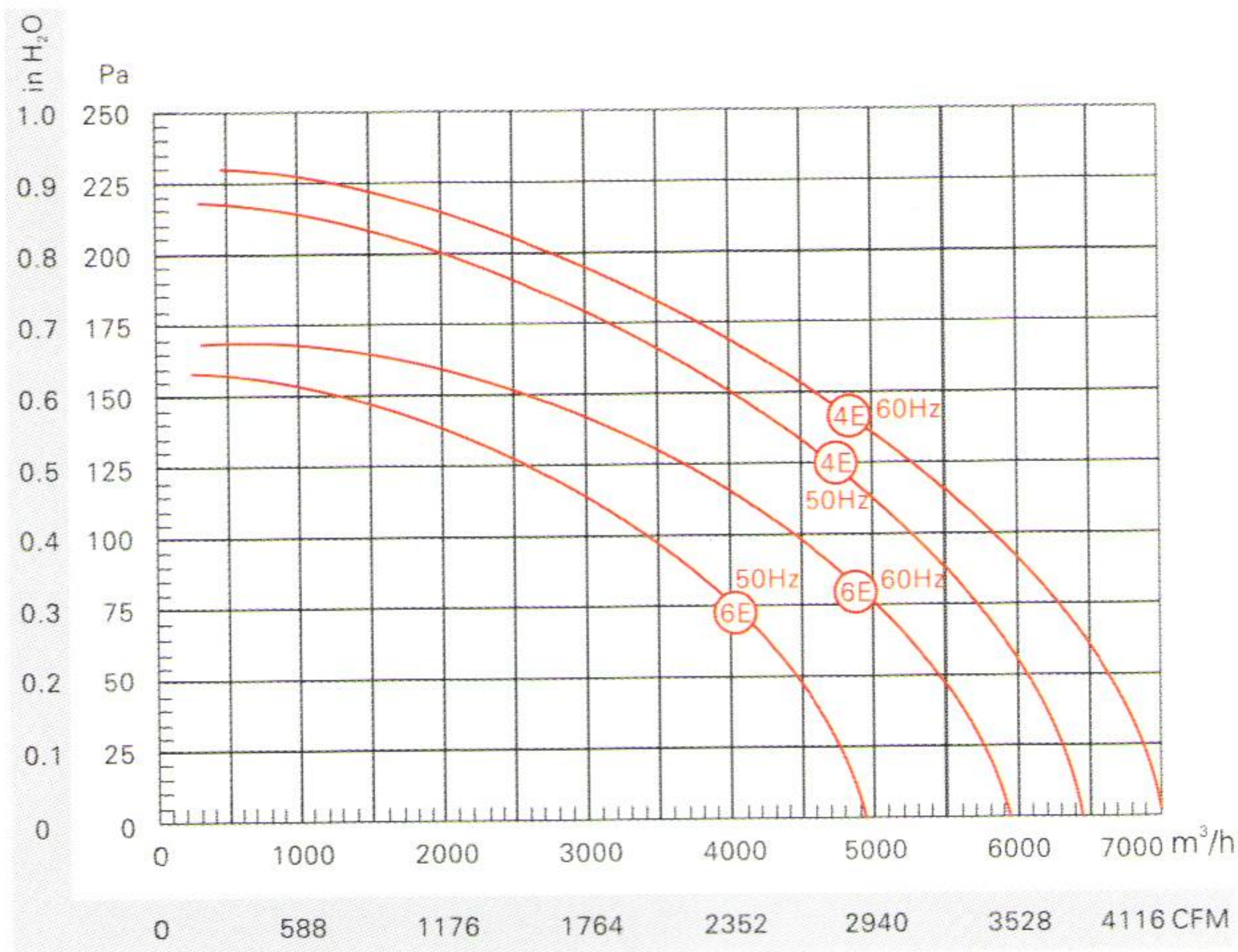


SWE500



Description:

- ◆ Motor is external rotor motor, IP 44 with class F insulation
- ◆ Motor voltage: 220–240V, 50/60Hz
- ◆ Direction of rotation: Clockwise, seen on rotor
- ◆ Bearing: High quality ball bearing
- ◆ The Impeller made of high quality ST12 steel
- ◆ Thermal overload protection
- ◆ Mode of operation: Continuous operation (S1)
- ◆ The using ambient temperature: $-30^{\circ}\text{C} \sim +60^{\circ}\text{C}$



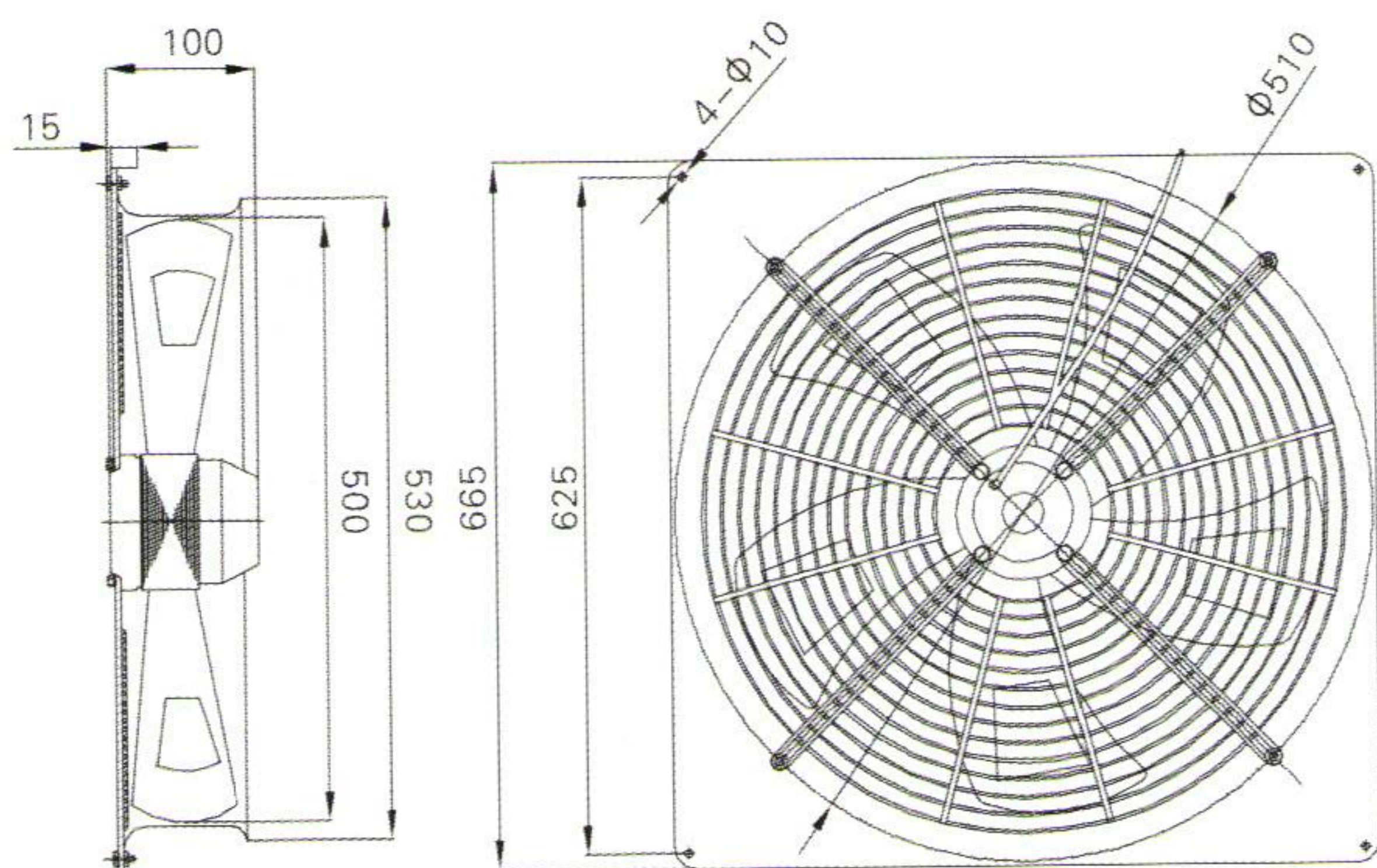
Performance Data:

Pole/Fre.	m³/h @ Pa								
	0	25	50	75	100	125	150	175	200
4E-50Hz	6460	6420	6080	5720	5280	4770	4000	3180	2000
4E-60Hz	6900	6620	6300	5800	5250	4600	3700	2800	1200
6E-50Hz	4750	4450	4000	3400	2600	1320			
6E-60Hz	5800	5450	5000	4500	3690	2500			

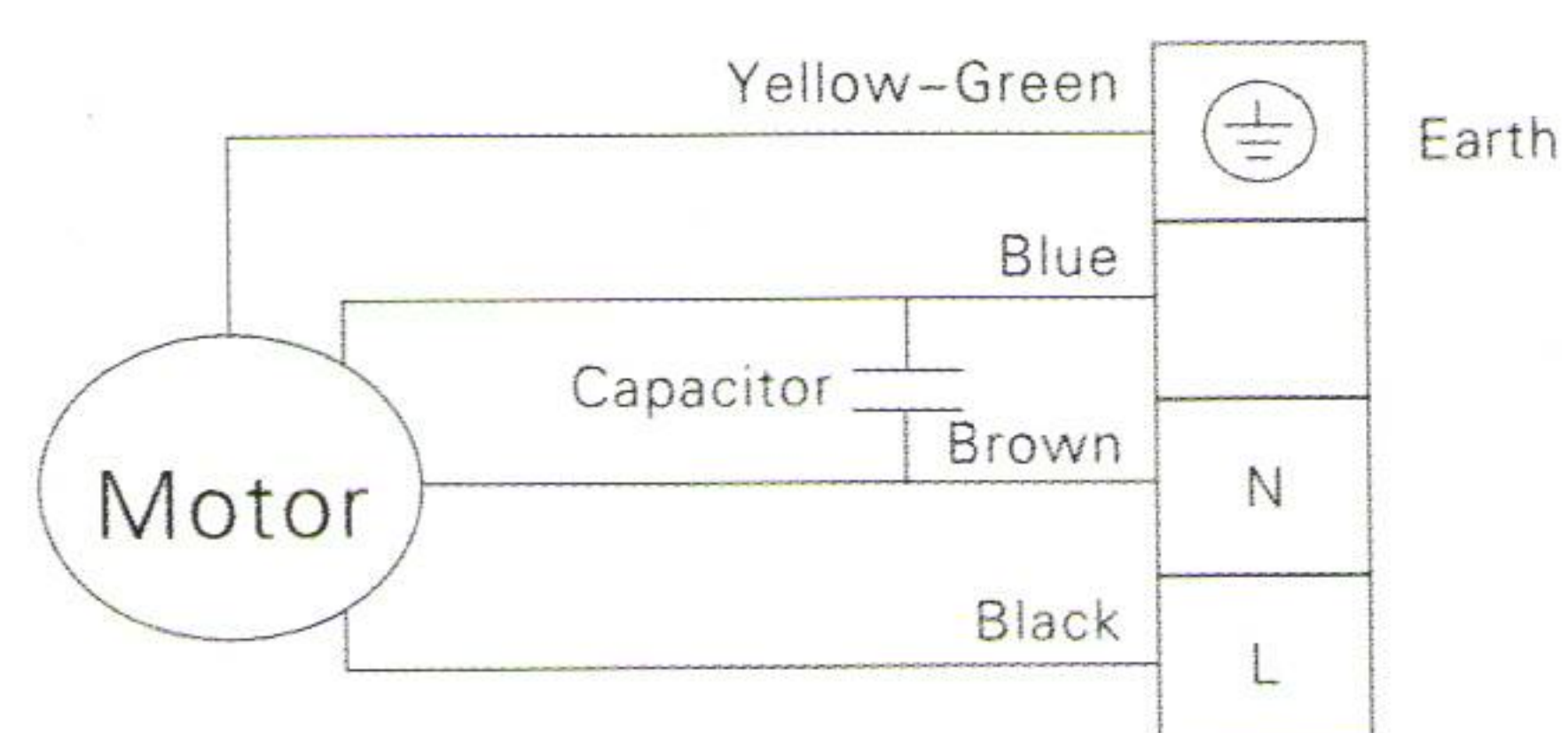
Specifications:

Model	Voltage (V)	Frequency (Hz)	Current (A)	Input Power (W)	Speed (RPM)	Max Air Flow		Capacitor (uF)	Noise (dB)
						m³/h	CFM		
SWE500-4E	220-240	50	1.6	350	1350	6460	3800	10	72
		60	1.8	400	1590	7055	4150	10	73
SWE500-6E	220-240	50	0.65	140	900	4928	2899	6	68
		60	0.76	170	1080	5950	3500	6	69

Dimension: mm

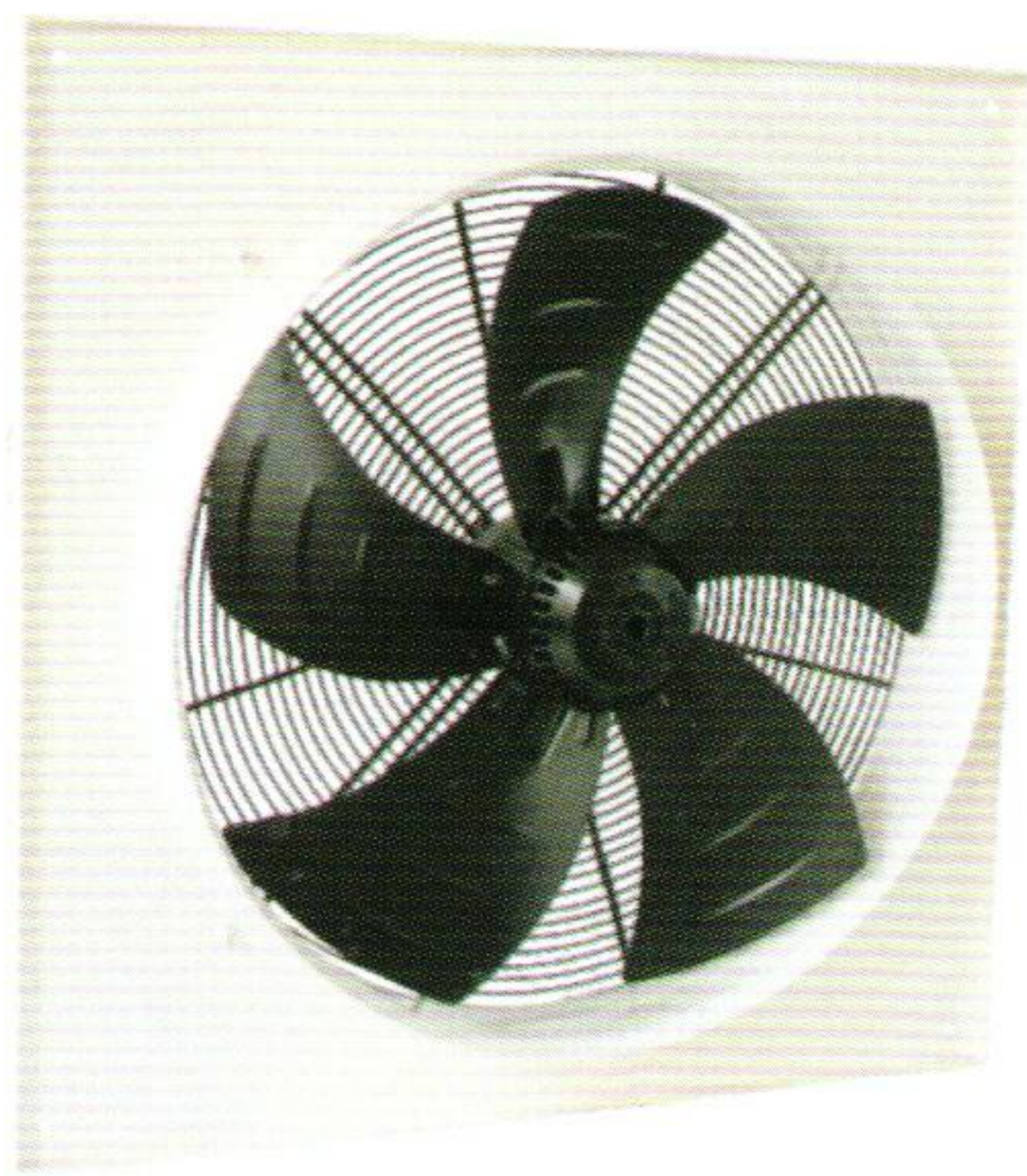


Wiring Diagram



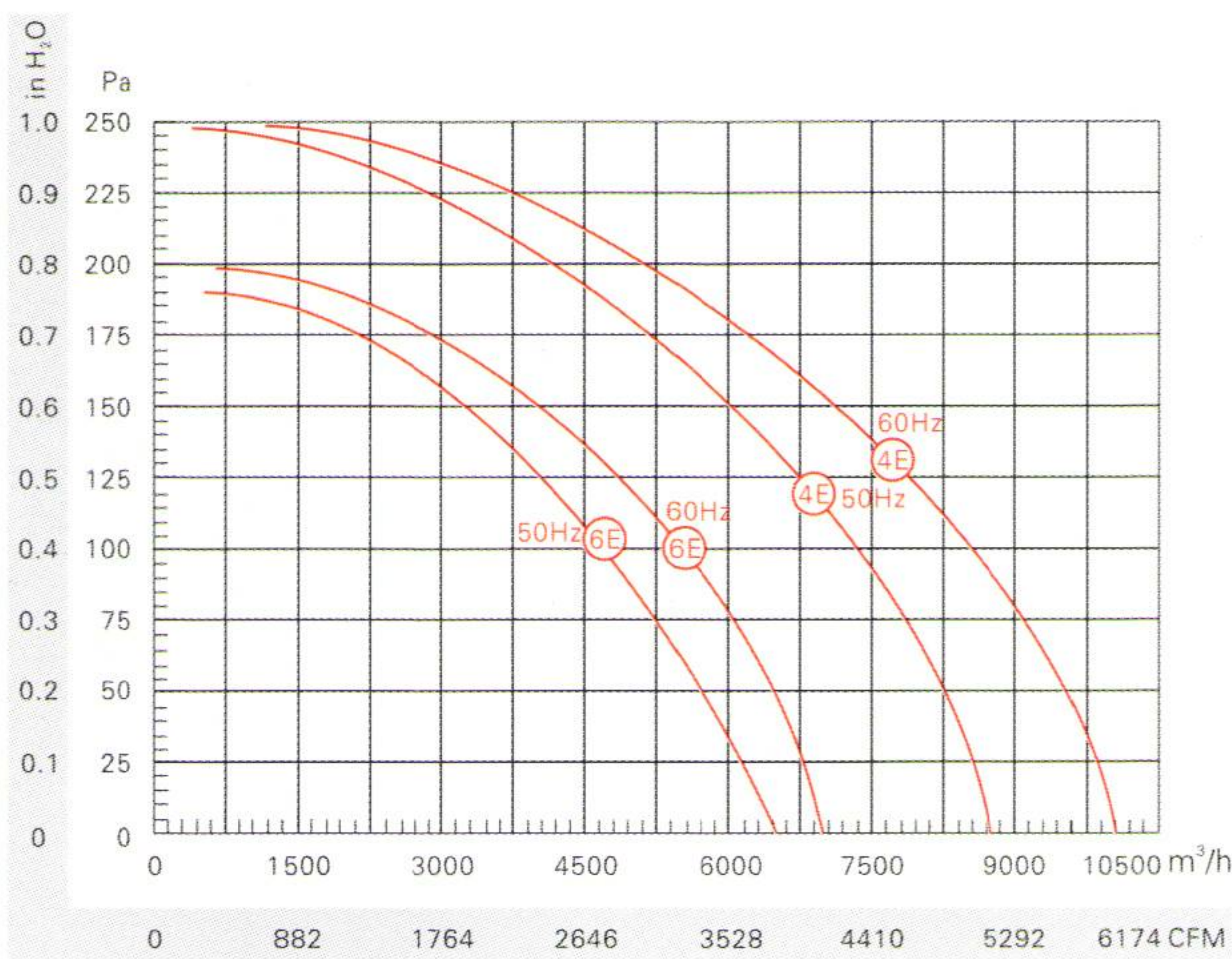


SWE550



Description:

- ◆ Motor is external rotor motor, IP 44 with class F insulation
- ◆ Motor voltage: 220–240V, 50/60Hz
- ◆ Direction of rotation: Clockwise, seen on rotor
- ◆ Bearing: High quality ball bearing
- ◆ The Impeller made of high quality ST12 steel
- ◆ Thermal overload protection
- ◆ Mode of operation: Continuous operation (S1)
- ◆ The using ambient temperature: $-30^{\circ}\text{C} \sim +60^{\circ}\text{C}$



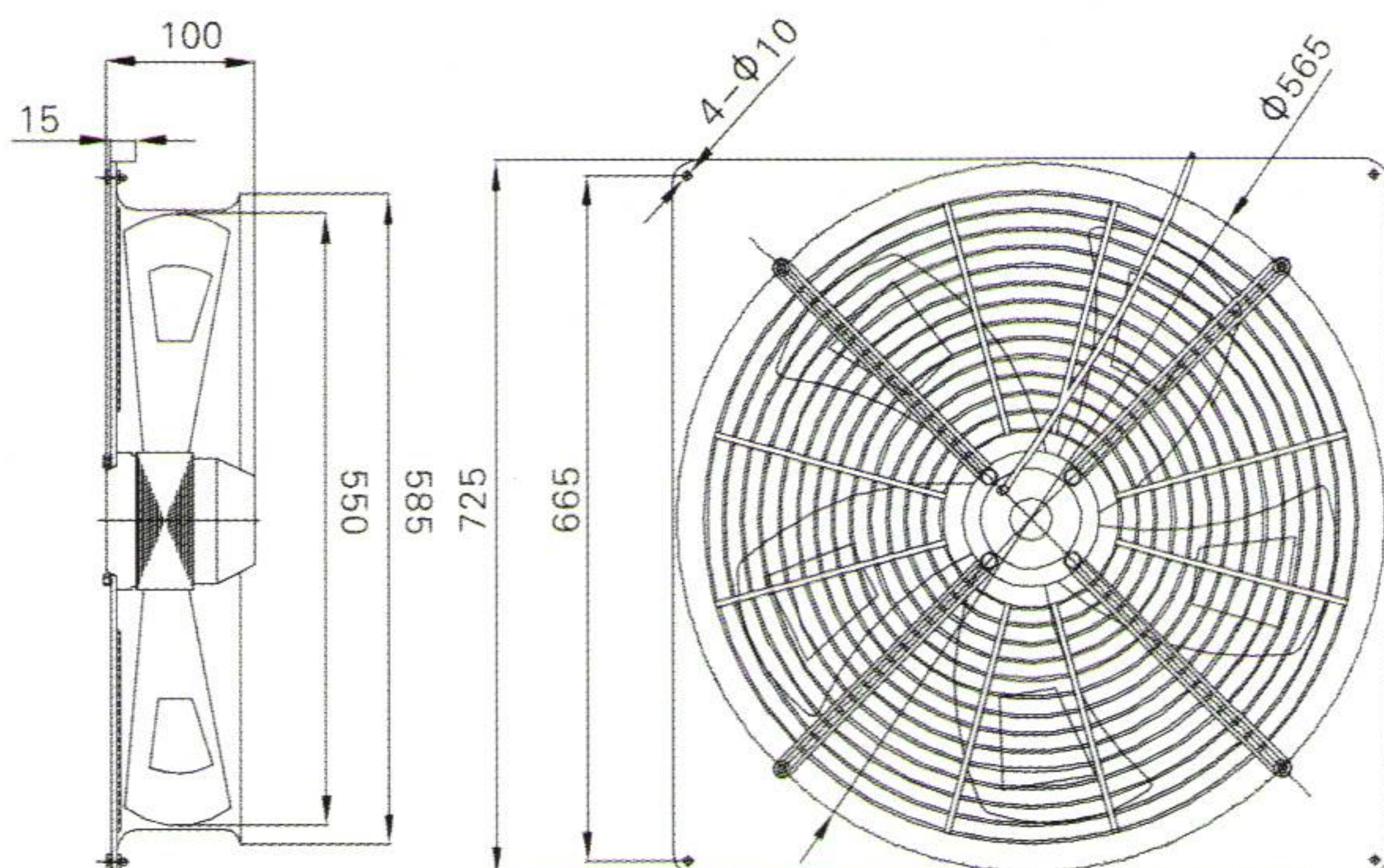
Performance Data:

Pole/Fre.	m³/h @ Pa									
	0	25	50	75	100	125	150	175	200	225
4E-50Hz	8750	8550	8250	7820	7330	6750	6000	5250	4070	2830
4E-60Hz	10059	10650	9500	9020	8549	7800	7050	6257	5100	3750
6E-50Hz	6467	6140	5690	5250	4652	4025	3210	2100		
6E-60Hz	6970	6750	5550	6000	5525	4925	4050	2870		

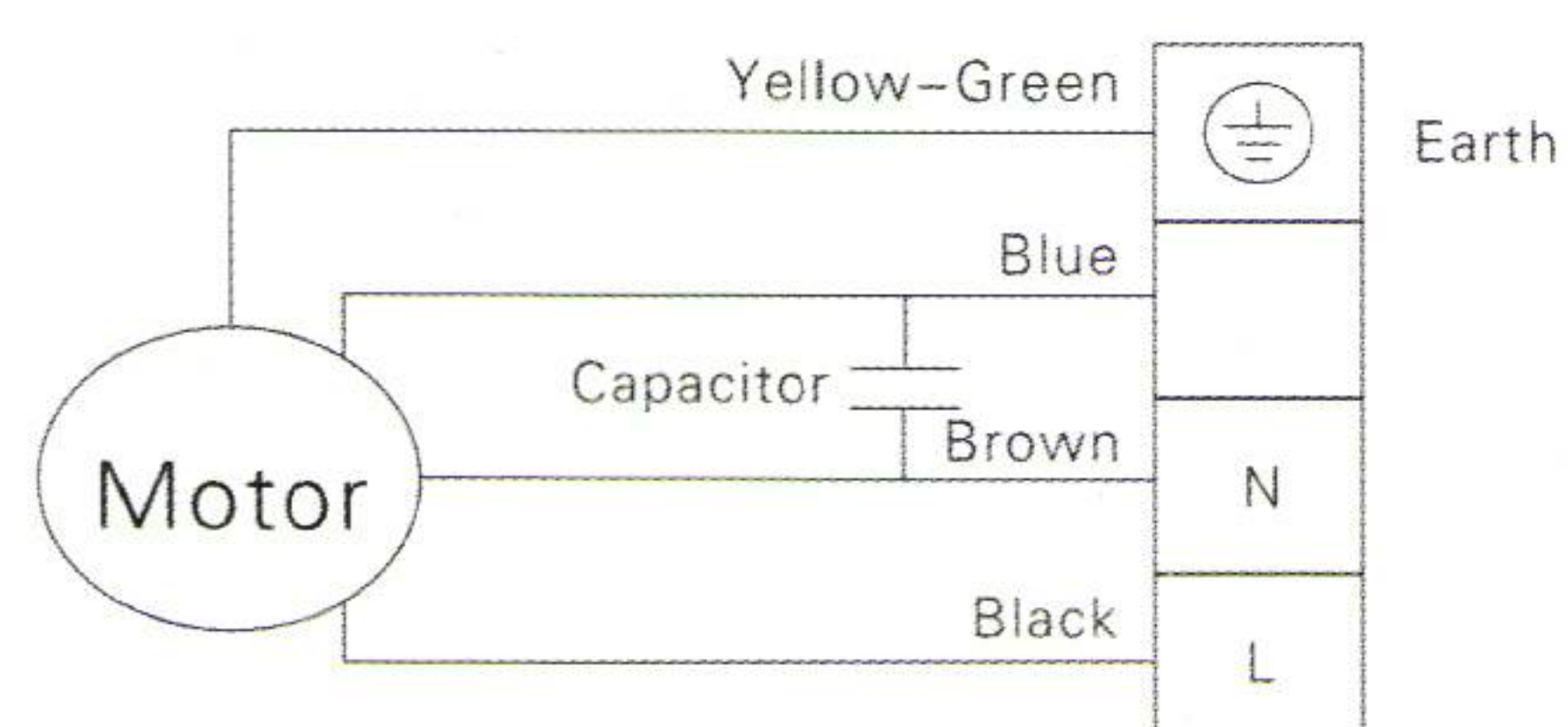
Specifications:

Model	Voltage (V)	Frequency (Hz)	Current (A)	Input Power (W)	Speed (RPM)	Max Air Flow		Capacitor (uF)	Noise (dB)
						m³/h	CFM		
SWE550-4E	220-240	50	2.4	500	1300	8750	5147	12	75
		60	2.7	550	1580	10059	5917	12	76
SWE550-6E	220-240	50	1.6	280	900	6467	3804	10	70
		60	1.7	320	1050	6970	4100	10	71

Dimension: mm



Wiring Diagram



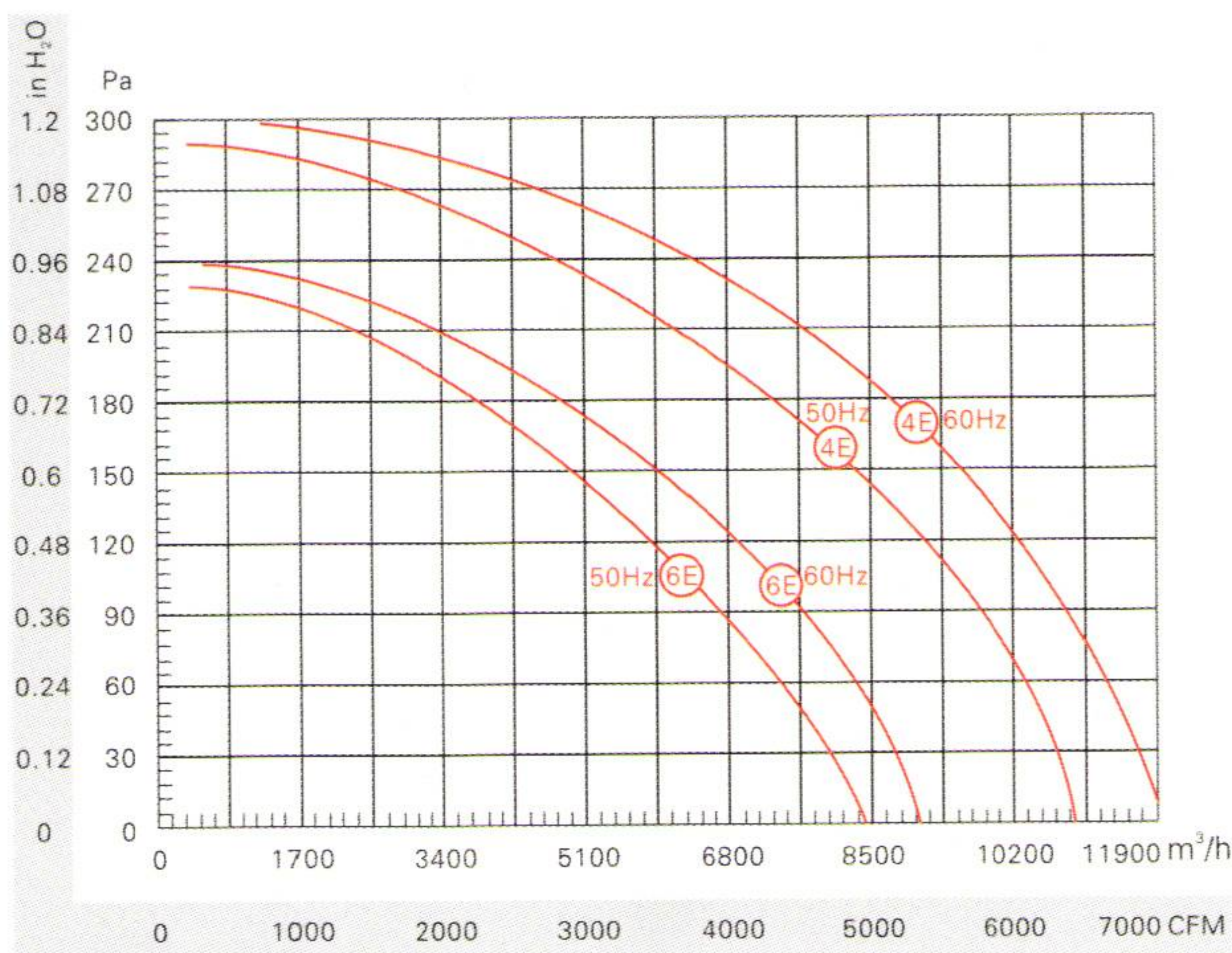


SWE600



Description:

- ◆ Motor is external rotor motor, IP 44 with class F insulation
- ◆ Motor voltage: 220-240V, 50/60Hz
- ◆ Direction of rotation: Clockwise, seen on rotor
- ◆ Bearing: High quality ball bearing
- ◆ The Impeller made of high quality ST12 steel
- ◆ Thermal overload protection
- ◆ Mode of operation: Continuous operation (S1)
- ◆ The using ambient temperature: -30°C ~ +60°C



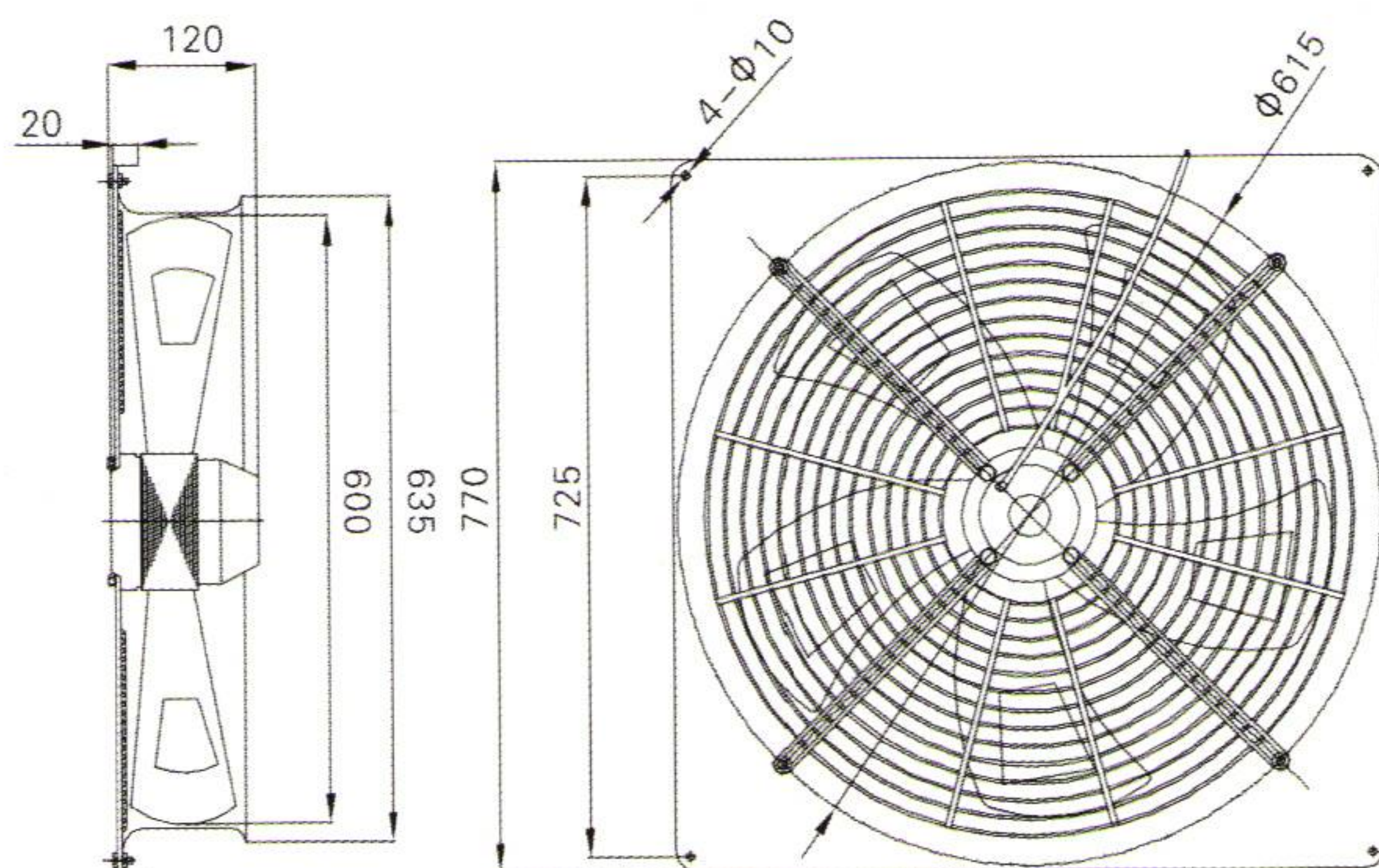
Performance Data:

Pole/Fre.	m³/h @ Pa									
	0	30	60	90	120	150	180	210	240	270
4E-50Hz	10914	10860	10420	9740	9052	8270	7460	6430	4660	2720
4E-60Hz	12070	12780	12140	10880	10140	9820	8840	7900	6140	4920
6E-50Hz	8452	8340	7480	6600	6200	4880	3840	2580		
6E-60Hz	9052	8920	8280	7900	6860	6200	4680	3400		

Specifications:

Model	Voltage (V)	Frequency (Hz)	Current (A)	Input Power (W)	Speed (RPM)	Max Air Flow		Capacitor (uF)	Noise (dB)
						m³/h	CFM		
SWE600-4E	220-240	50	3.43	730	1420	10914	6420	20	78
		60	4.72	1060	1610	12070	7100	20	79
SWE600-6E	220-240	50	2.5	380	900	8452	4972	10	72
		60	3.3	430	1050	9052	5325	10	73

Dimension: mm



Wiring Diagram

