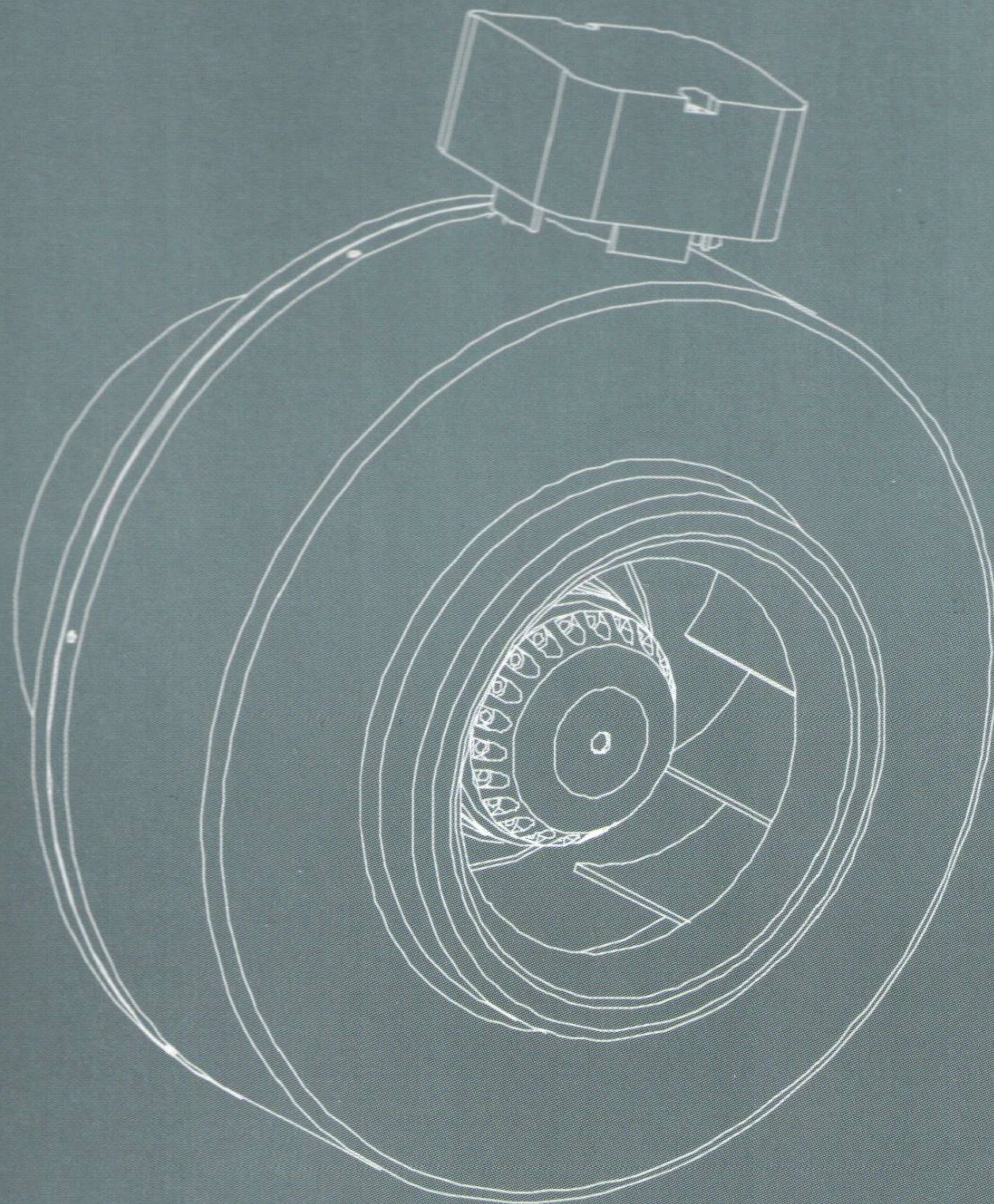




SASO COC CE

**SINCE 2005**

Inline Duct Fan



BRANCH OF BIN MAHRI TRADING EST.  
JEDDAH-SAUDI ARABIA.

TEL:+966 12 2842402

FAX:+966 12 2842557

EMAIL:hbmvent@hbm-sa.com

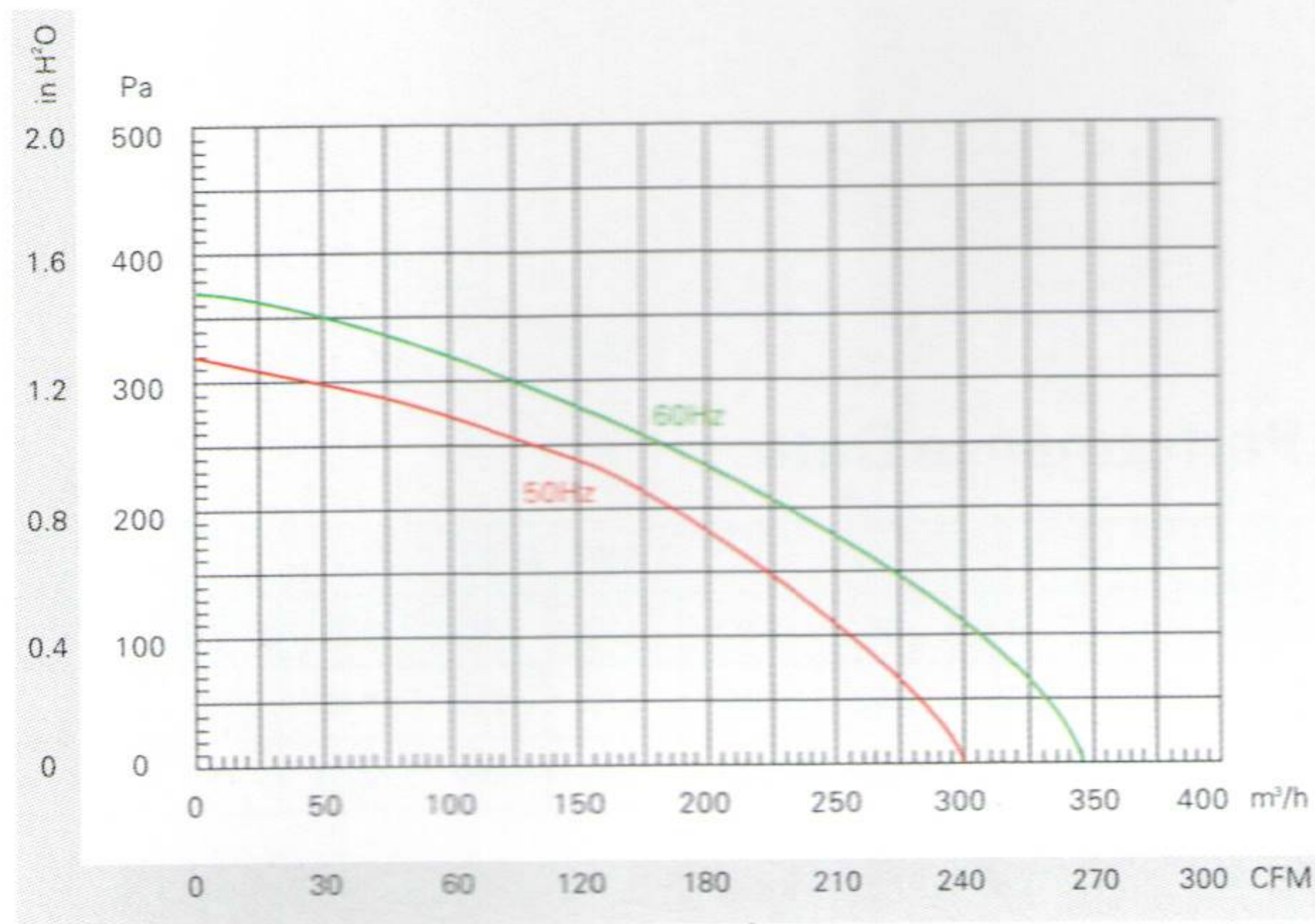
Website:hbm-sa.com

# MIF100



### Description:

- ◆ Motor is external rotor motor, IP 44 with class F insulation
- ◆ Motor voltage: 220-240V, 50/60Hz
- ◆ Two speed motor
- ◆ Bearing: High quality ball bearing
- ◆ The scroll housing made of high quality ST14 steel
- ◆ Thermal overload protection
- ◆ Leather jacket is available to lower the noise and protect the powder coating
- ◆ The using ambient temperature: -30°C ~ +60°C



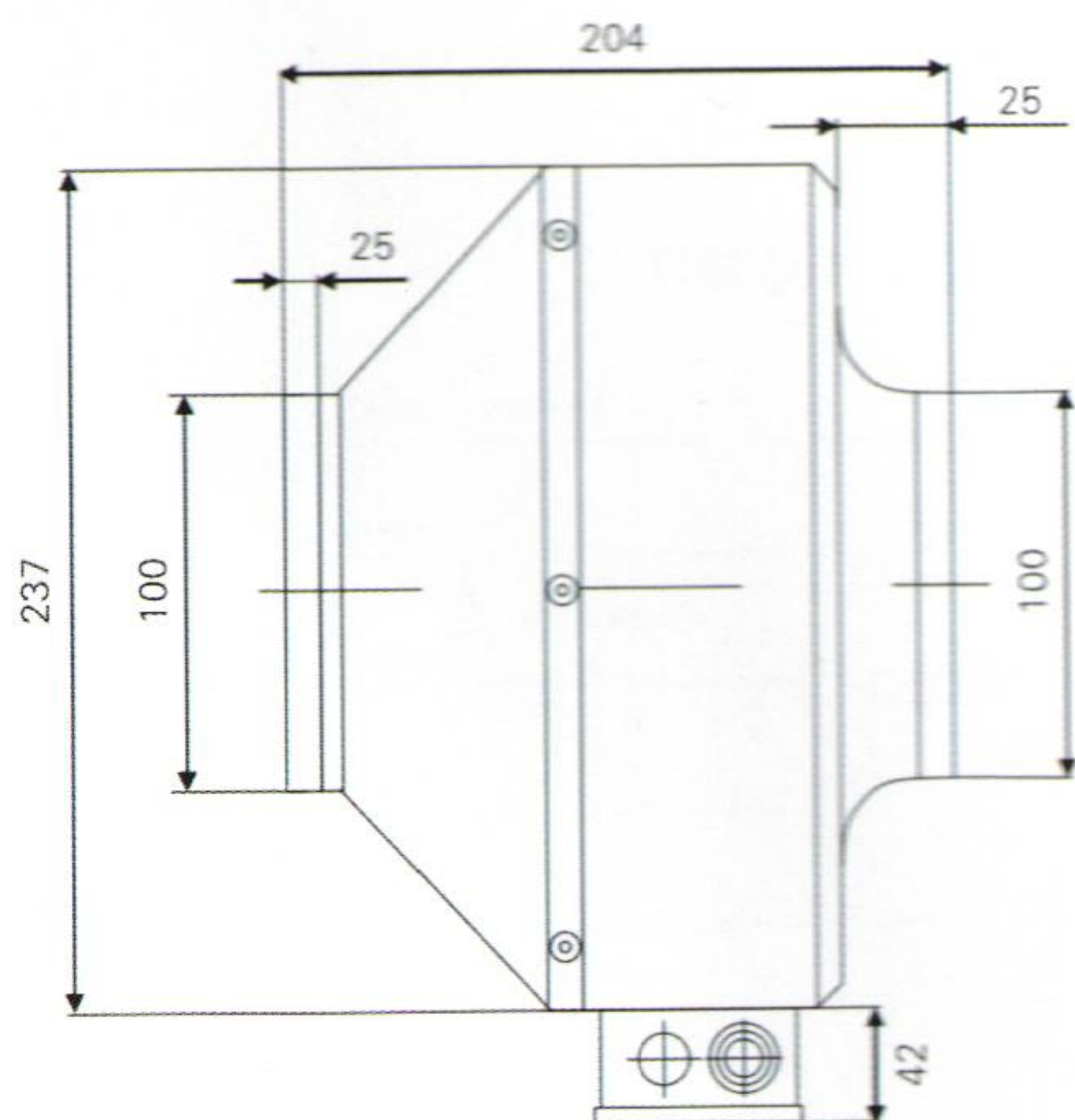
### Performance Data:

Frequency	m <sup>3</sup> /h @ Pa							
	0	50	100	150	200	250	300	350
50Hz	300	285	255	225	185	130	50	
60Hz	345	330	305	275	230	185	125	50

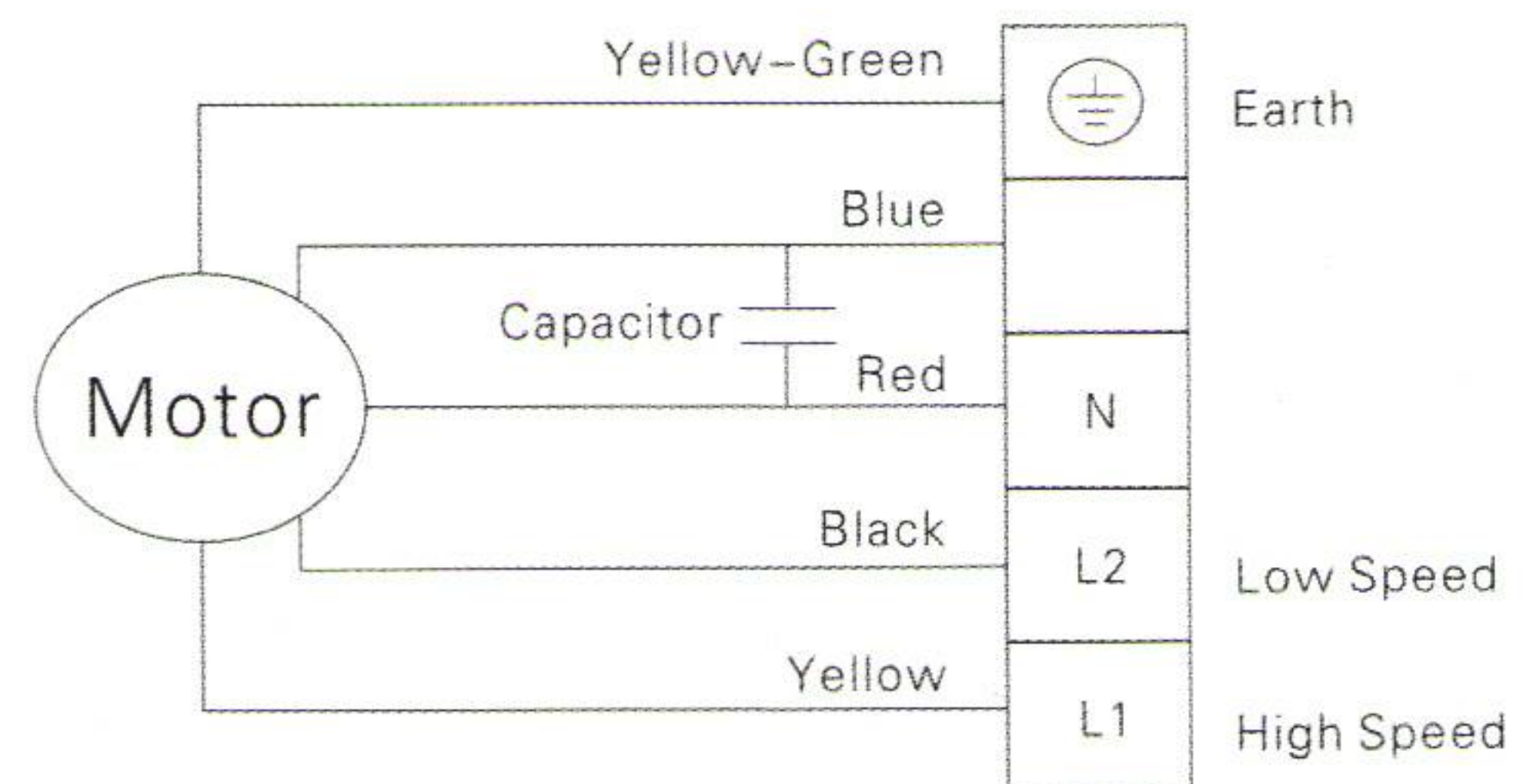
### Specifications:

Model	Voltage (V)	Frequency (Hz)	Power (W)	Current (A)	Speed (RPM)	Air Flow		Noise (dB)	Pressure (Pa)	Weight (Kg)
						m <sup>3</sup> /h	CFM			
MIF100	220-240	50	65	0.27	2550	300	180	48	320	3
		60	79	0.35	2700	345	203	49	370	3

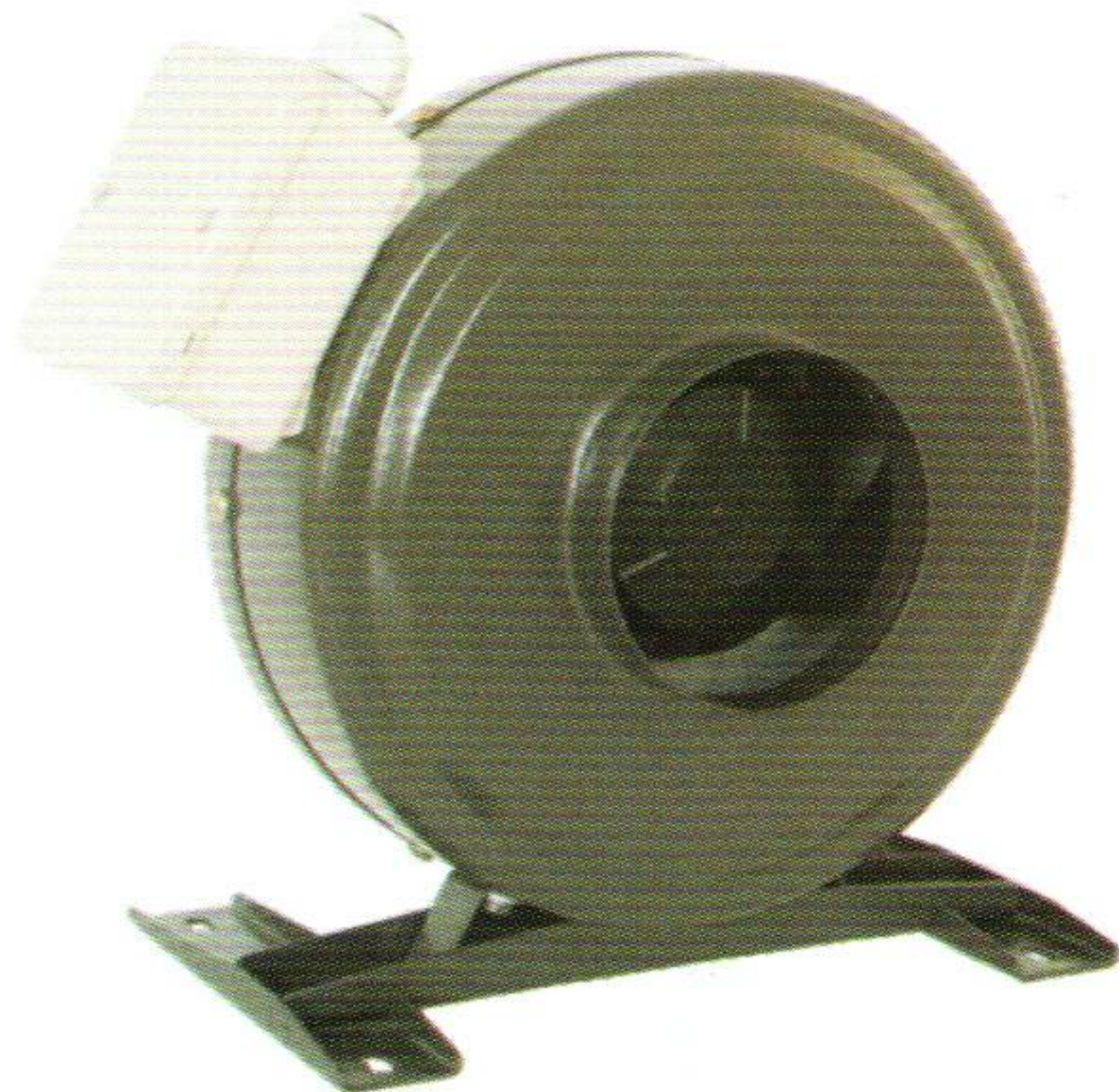
### Dimension: mm



### Wiring Diagram:

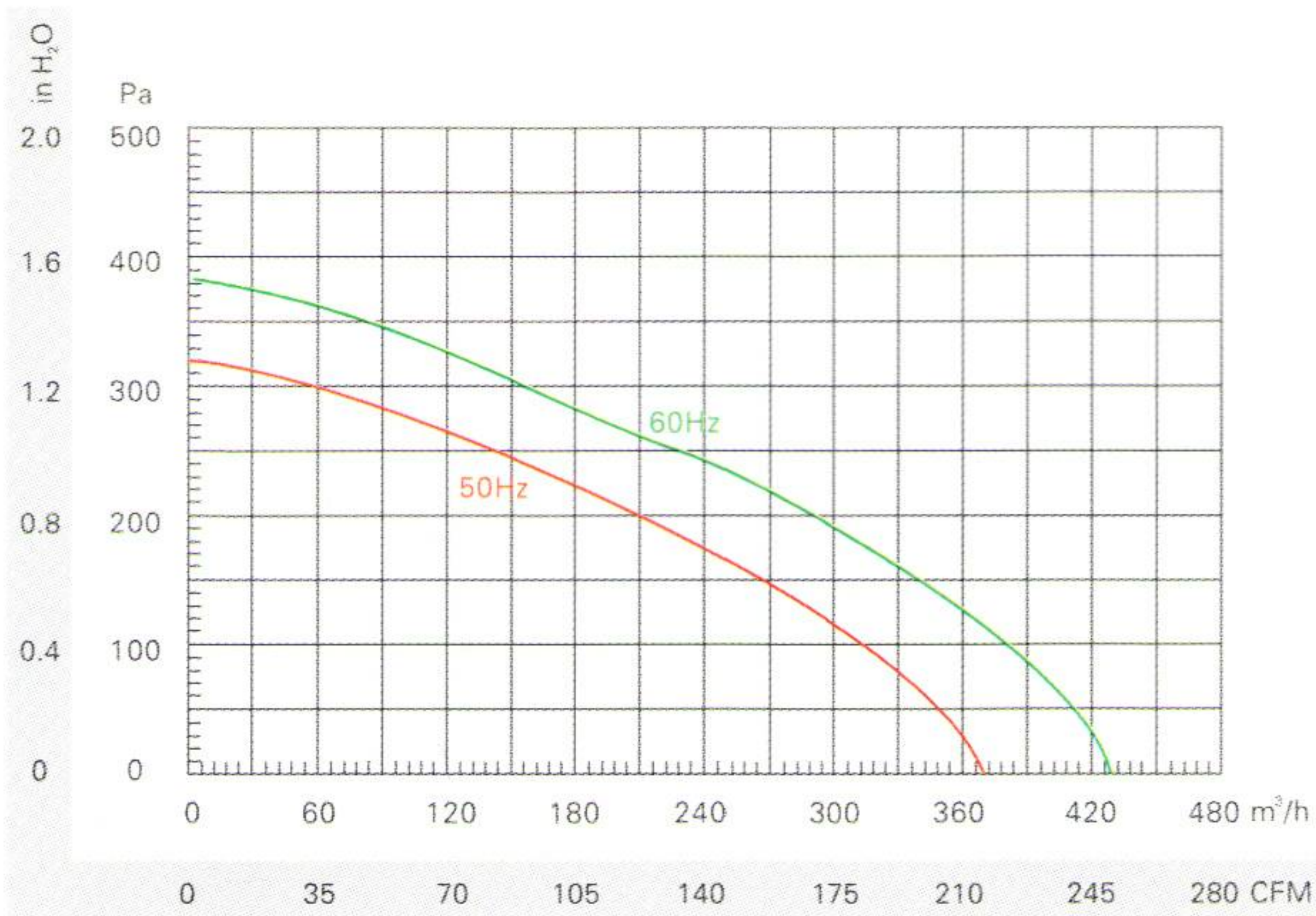


# MIF125



### Description:

- ◆ Motor is external rotor motor, IP 44 with class F insulation
- ◆ Motor voltage: 220-240V, 50/60Hz
- ◆ Two speed motor
- ◆ Bearing: High quality ball bearing
- ◆ The scroll housing made of high quality ST14 steel
- ◆ Thermal overload protection
- ◆ Leather jacket is available to lower the noise and protect the powder coating
- ◆ The using ambient temperature: -30°C ~ +60°C



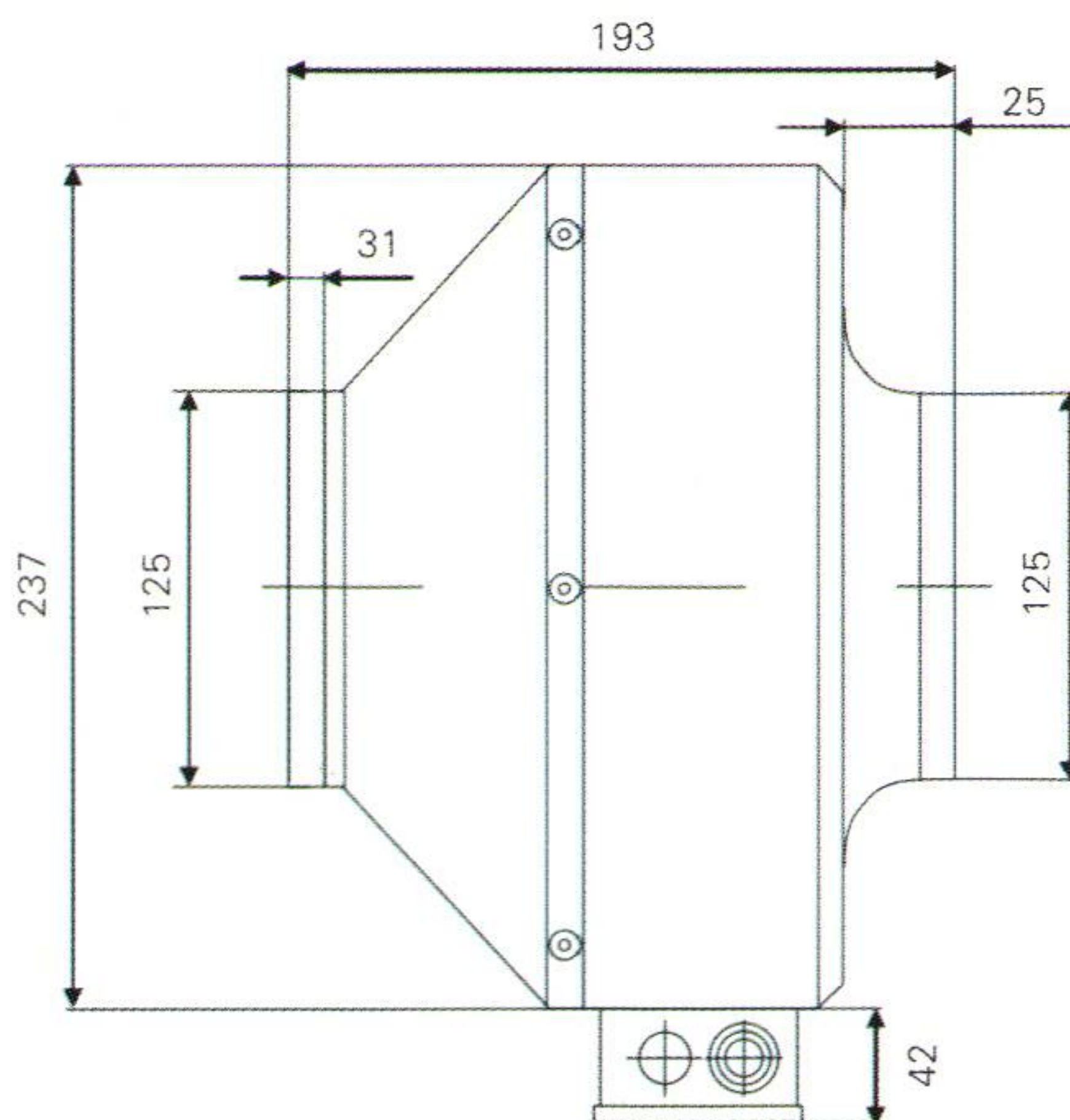
### Performance Data:

Frequency	m³/h @ Pa							
	0	50	100	150	200	250	300	350
50Hz	370	350	315	270	210	145	60	
60Hz	430	420	380	340	290	230	155	80

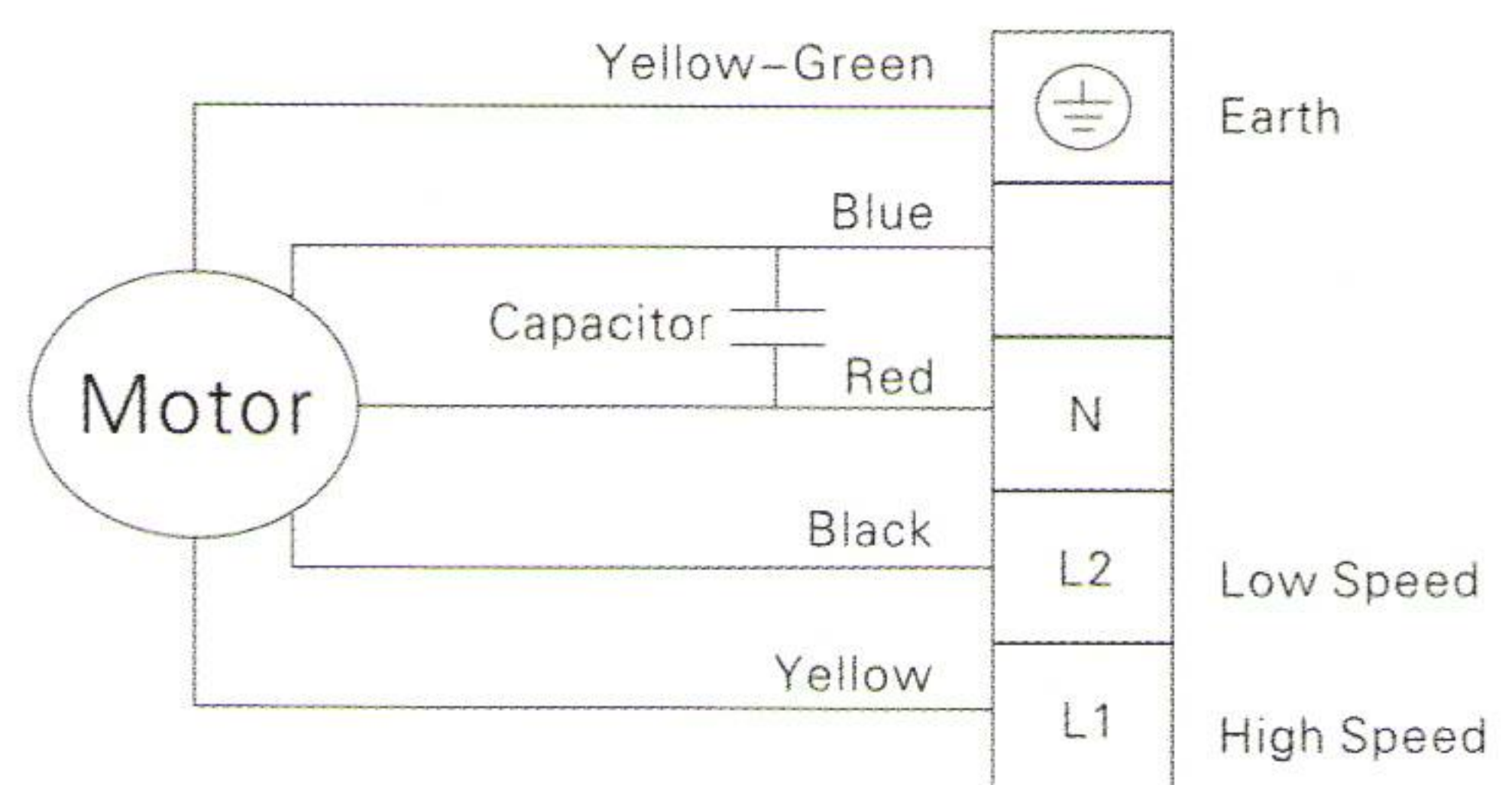
### Specifications:

Model	Voltage (V)	Frequency (Hz)	Power (W)	Current (A)	Speed (RPM)	Air Flow		Noise (dB)	Pressure (Pa)	Weight (Kg)
						m³/h	CFM			
MIF125	220-240	50	70	0.28	2550	370	218	48	330	3
		60	82	0.36	2700	430	253	49	380	3

### Dimension: mm



### Wiring Diagram:

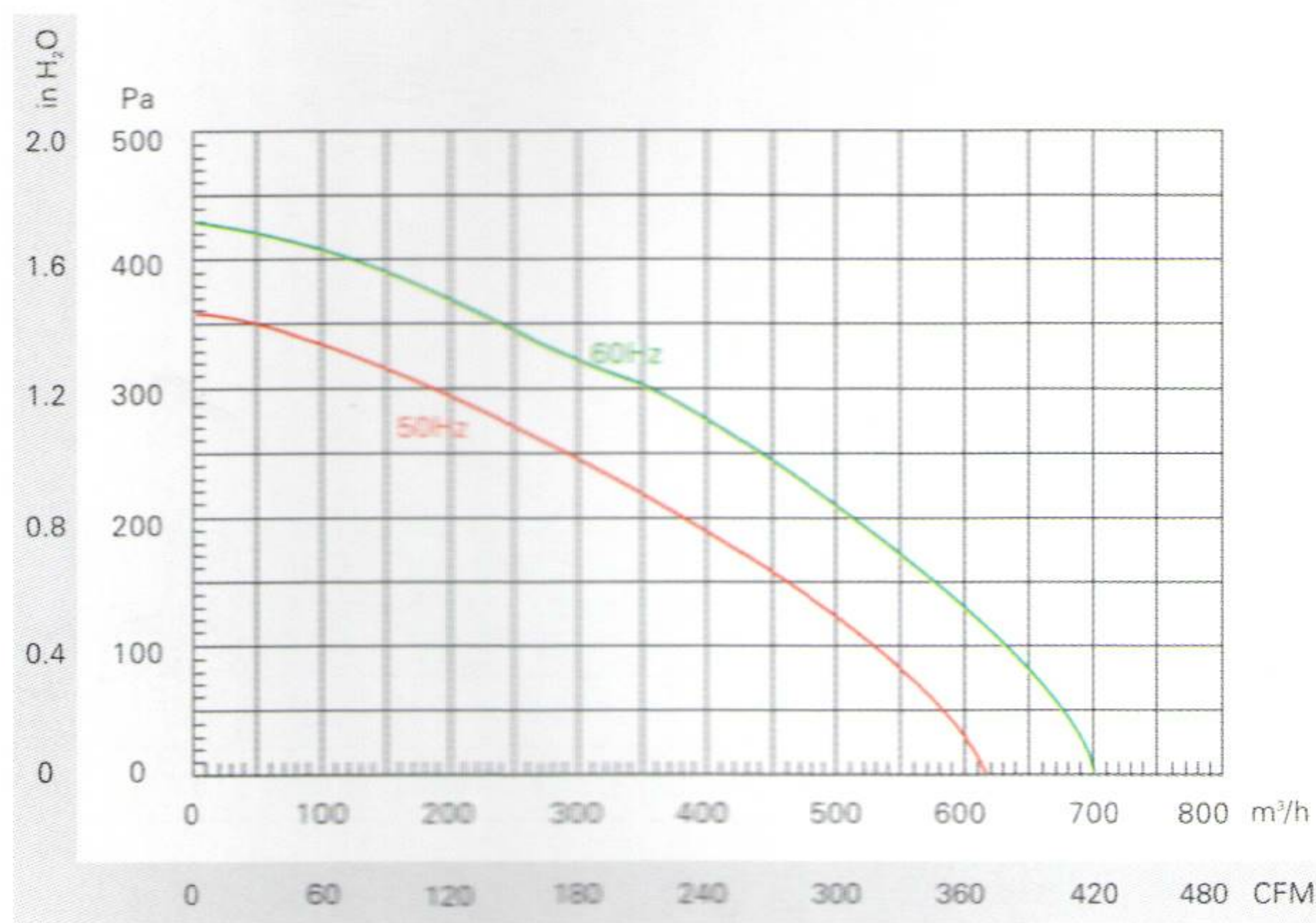


# MIF150



### Description:

- ◆ Motor is external rotor motor, IP 44 with class F insulation
- ◆ Motor voltage: 220-240V, 50/60Hz
- ◆ Two speed motor
- ◆ Bearing: High quality ball bearing
- ◆ The scroll housing made of high quality ST14 steel
- ◆ Thermal overload protection
- ◆ Leather jacket is available to lower the noise and protect the powder coating
- ◆ The using ambient temperature: -30°C ~ +60°C



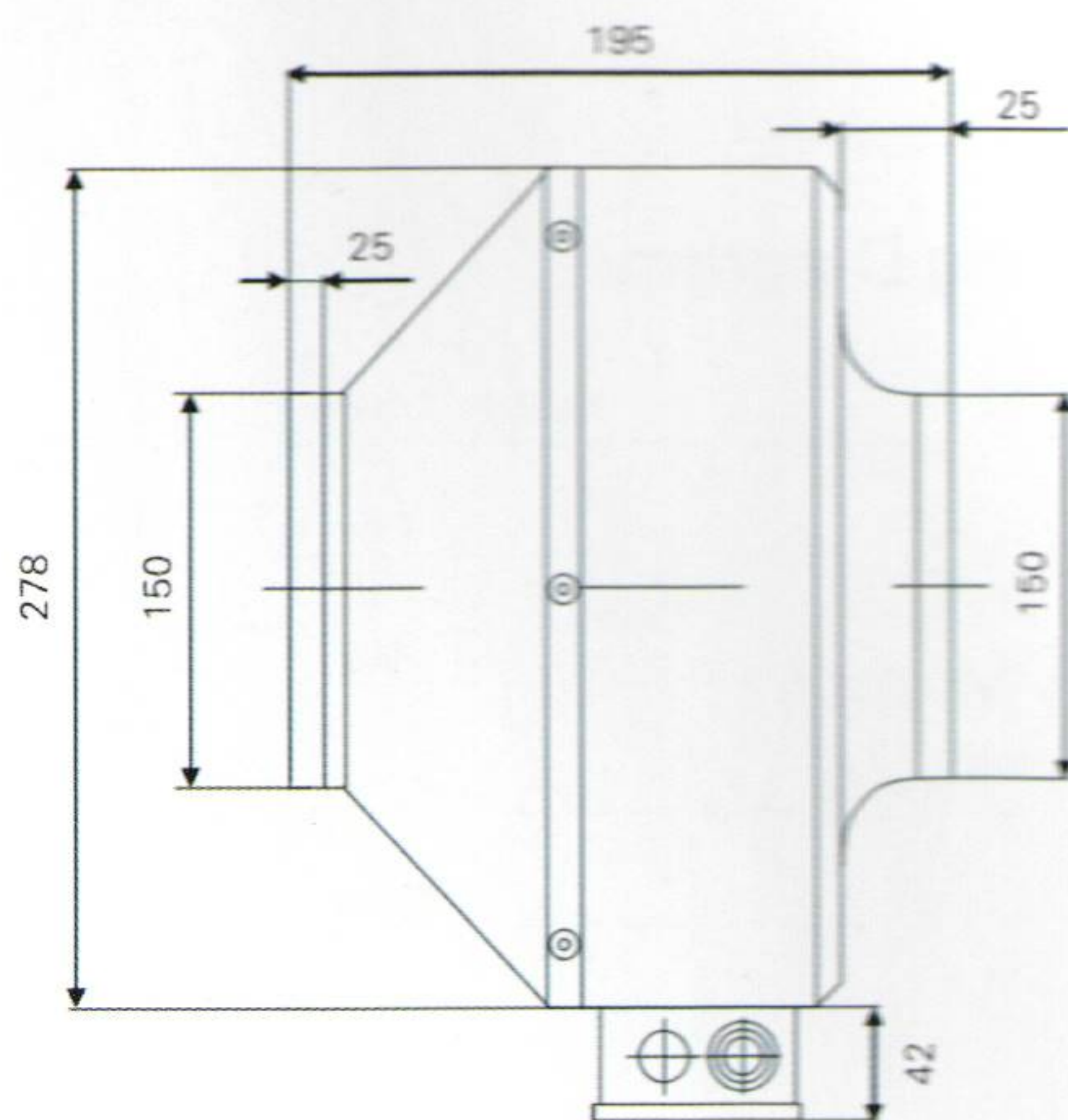
### Performance Data:

Frequency	m <sup>3</sup> /h @ Pa								
	0	50	100	150	200	250	300	350	400
50Hz	620	580	525	460	380	290	190	50	
60Hz	700	675	625	575	510	440	350	240	115

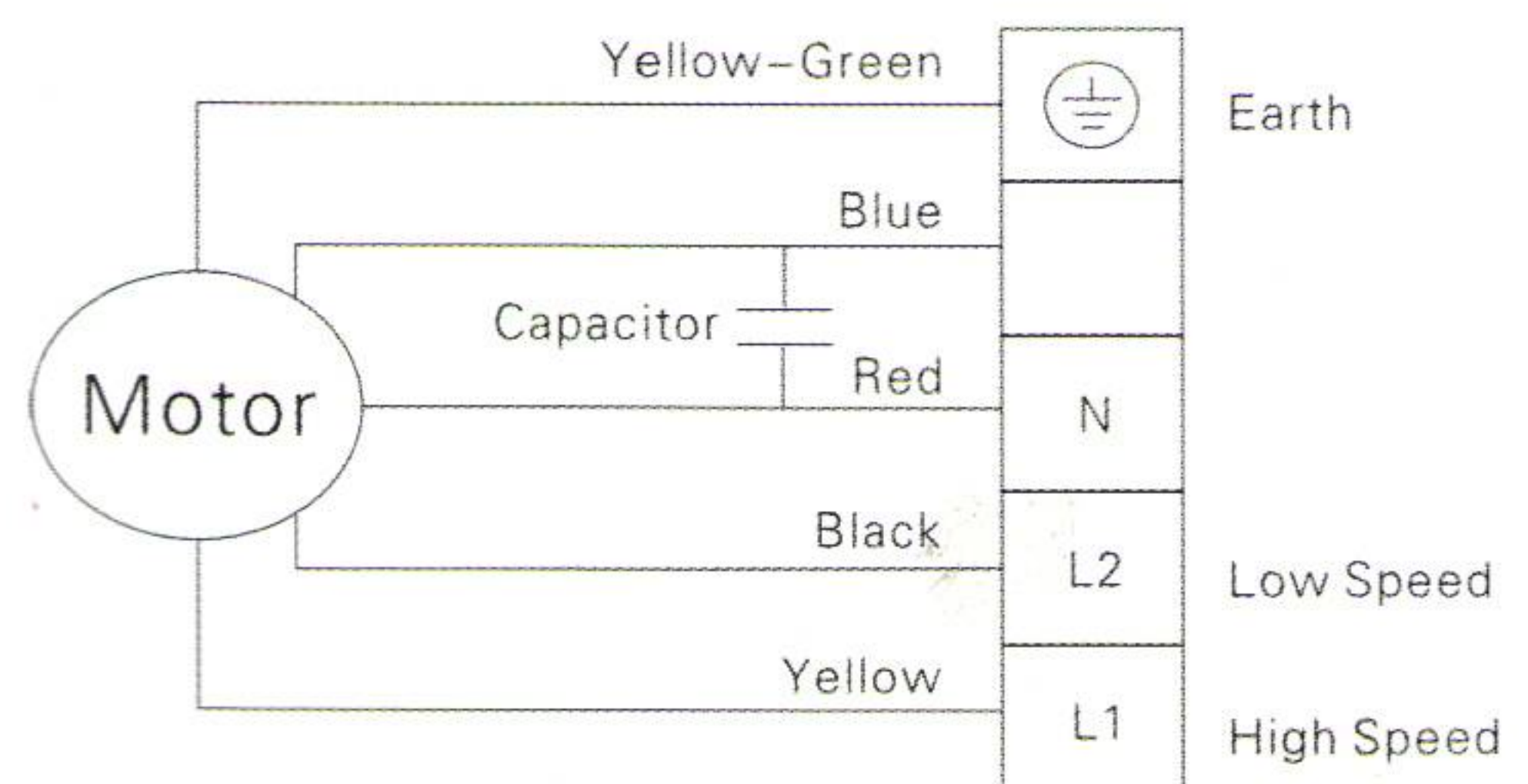
### Specifications:

Model	Voltage (V)	Frequency (Hz)	Power (W)	Current (A)	Speed (RPM)	Air Flow		Noise (dB)	Pressure (Pa)	Weight (Kg)
						m <sup>3</sup> /h	CFM			
MIF150	220-240	50	110	0.5	2550	620	365	49	355	4
		60	130	0.6	2650	700	412	50	380	4

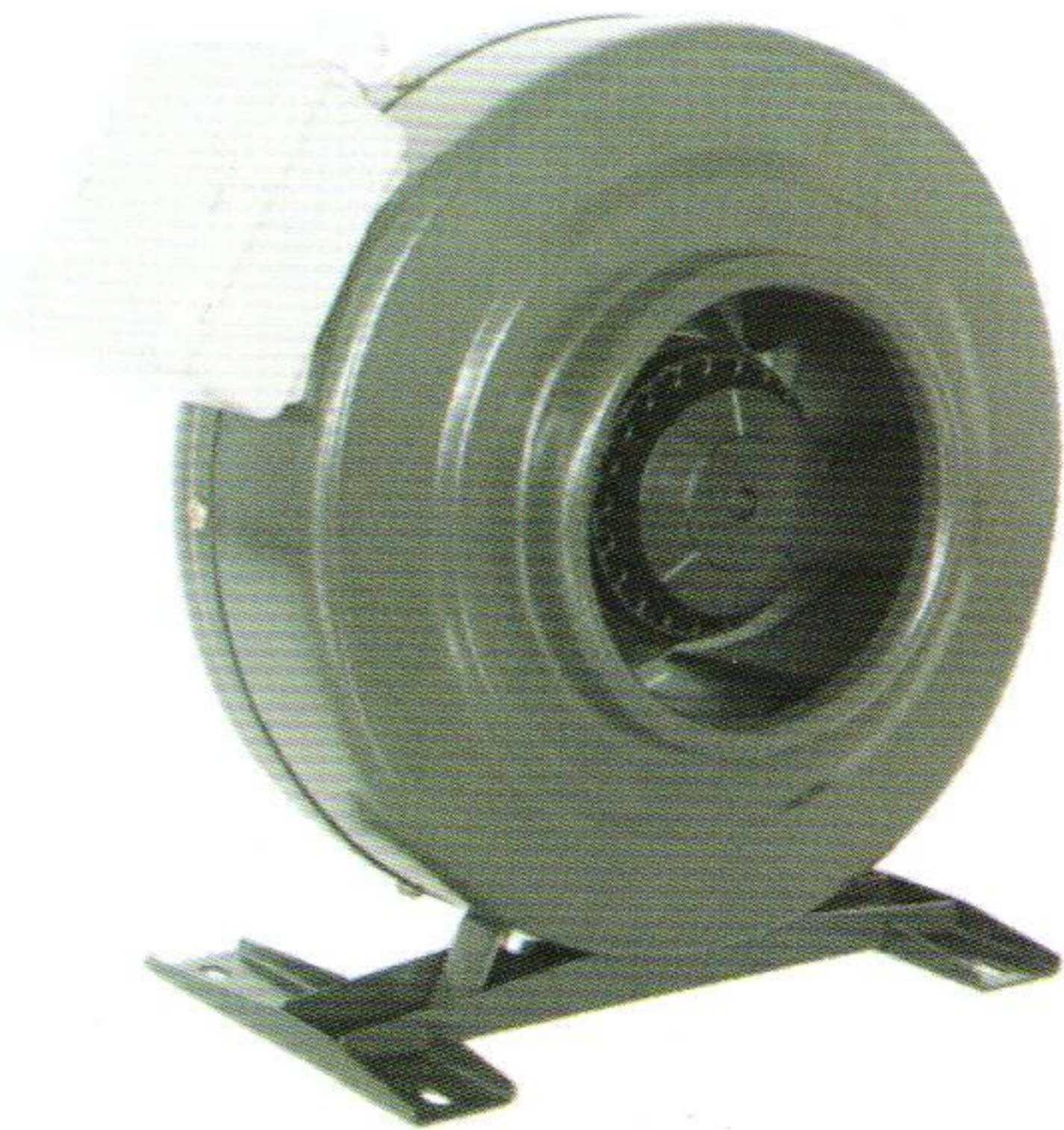
### Dimension: mm



### Wiring Diagram:

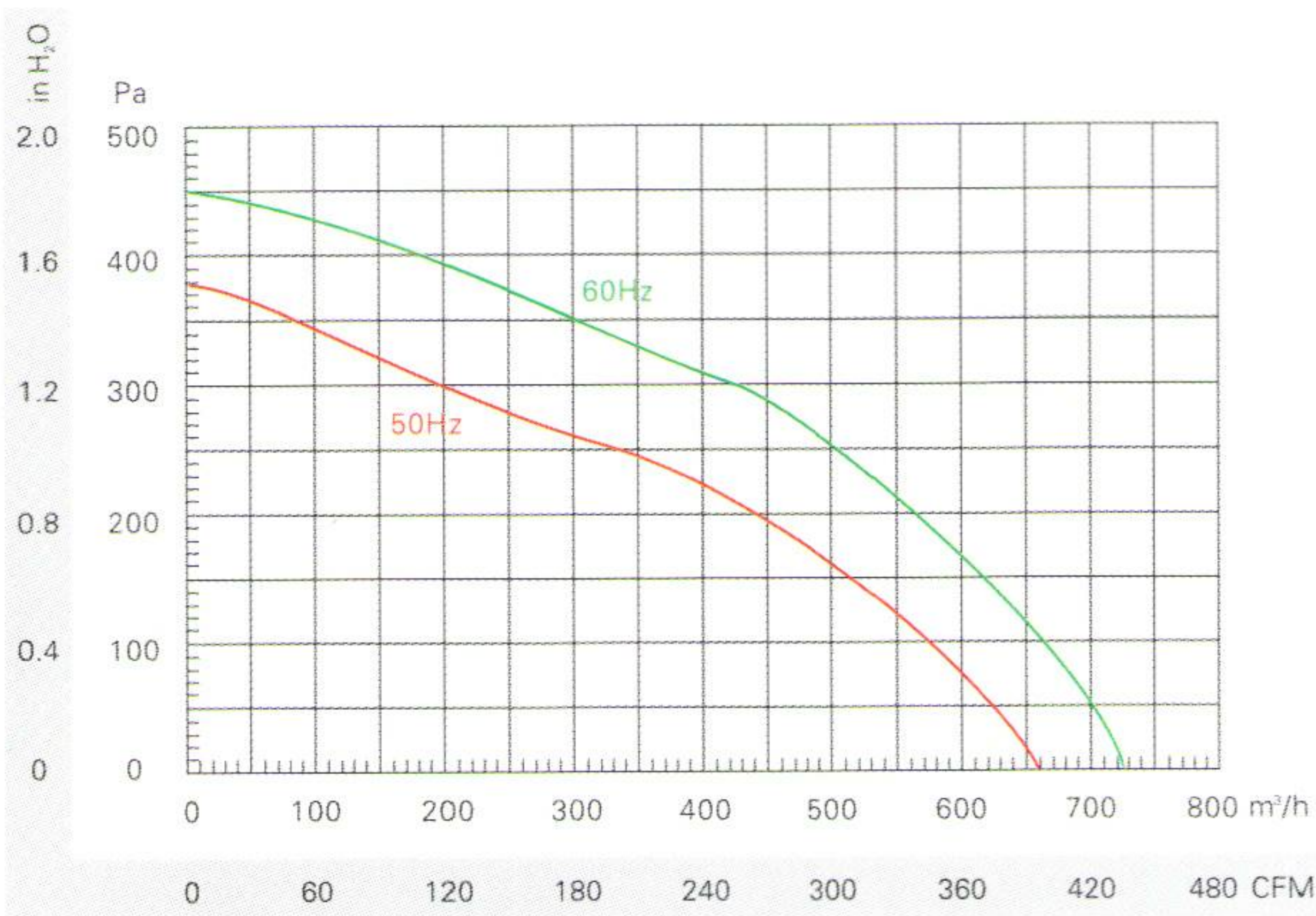


# MIF160



### Description:

- ◆ Motor is external rotor motor, IP 44 with class F insulation
- ◆ Motor voltage: 220-240V, 50/60Hz
- ◆ Two speed motor
- ◆ Bearing: High quality ball bearing
- ◆ The scroll housing made of high quality ST14 steel
- ◆ Thermal overload protection
- ◆ Leather jacket is available to lower the noise and protect the powder coating
- ◆ The using ambient temperature: -30°C ~ +60°C



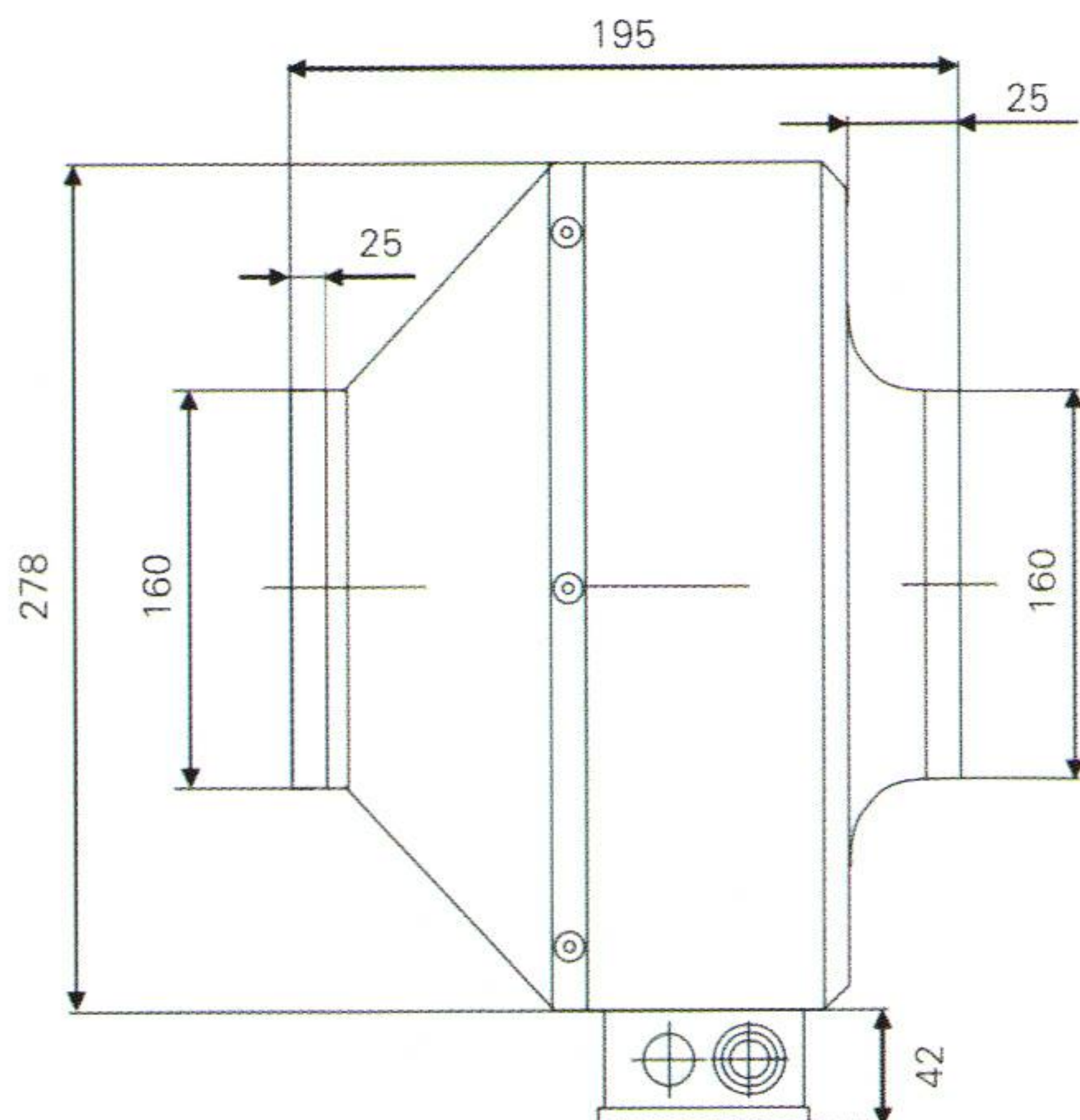
### Performance Data:

Frequency	m <sup>3</sup> /h @ Pa								
	0	50	100	150	200	250	300	350	400
50Hz	660	630	580	515	440	340	200	85	
60Hz	730	700	660	620	570	500	425	300	180

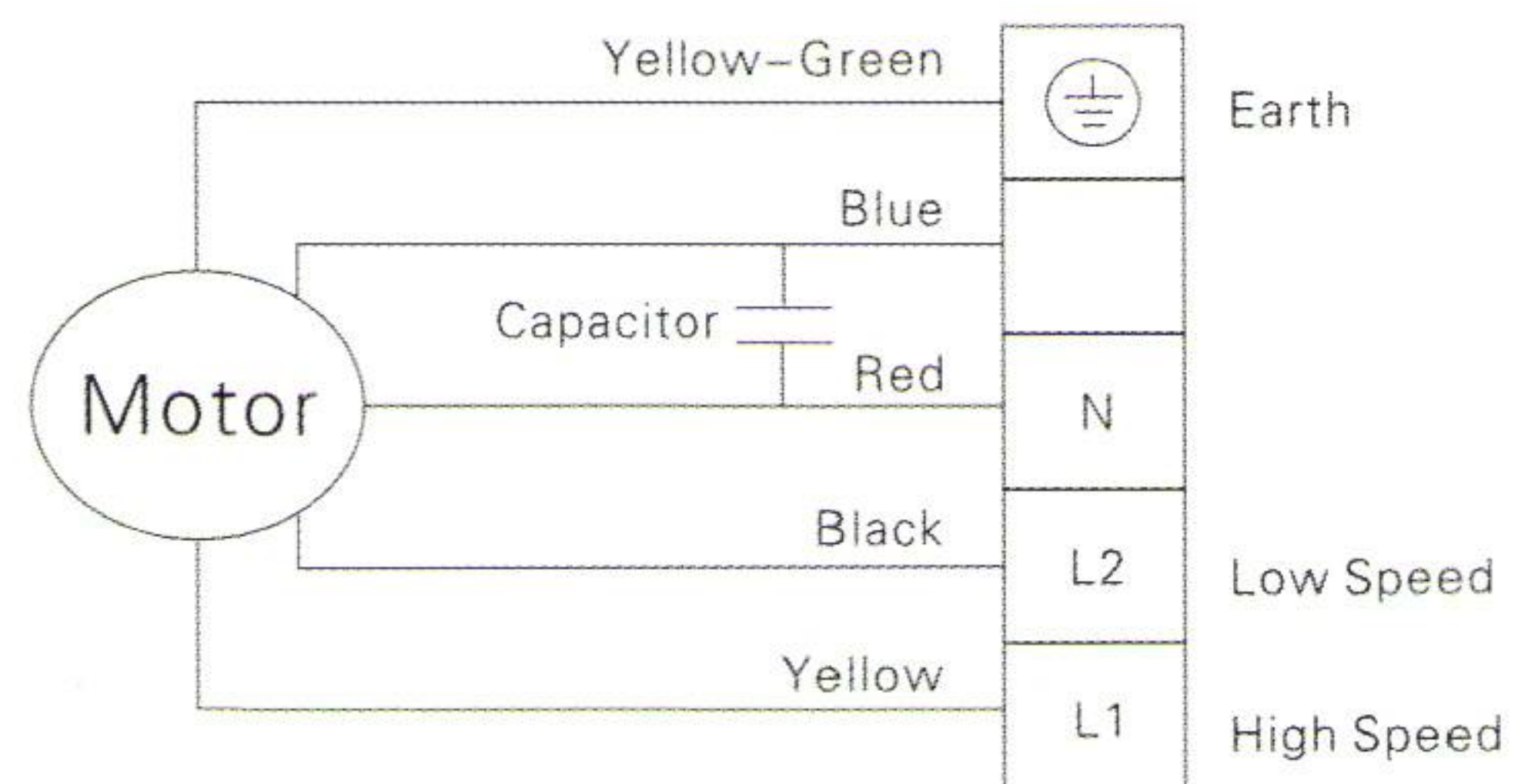
### Specifications:

Model	Voltage (V)	Frequency (Hz)	Power (W)	Current (A)	Speed (RPM)	Air Flow		Noise (dB)	Pressure (Pa)	Weight (Kg)
						m <sup>3</sup> /h	CFM			
MIF160	220-240	50	115	0.51	2550	660	388	49	380	4
		60	135	0.62	2650	730	429	50	450	4

### Dimension: mm



### Wiring Diagram:

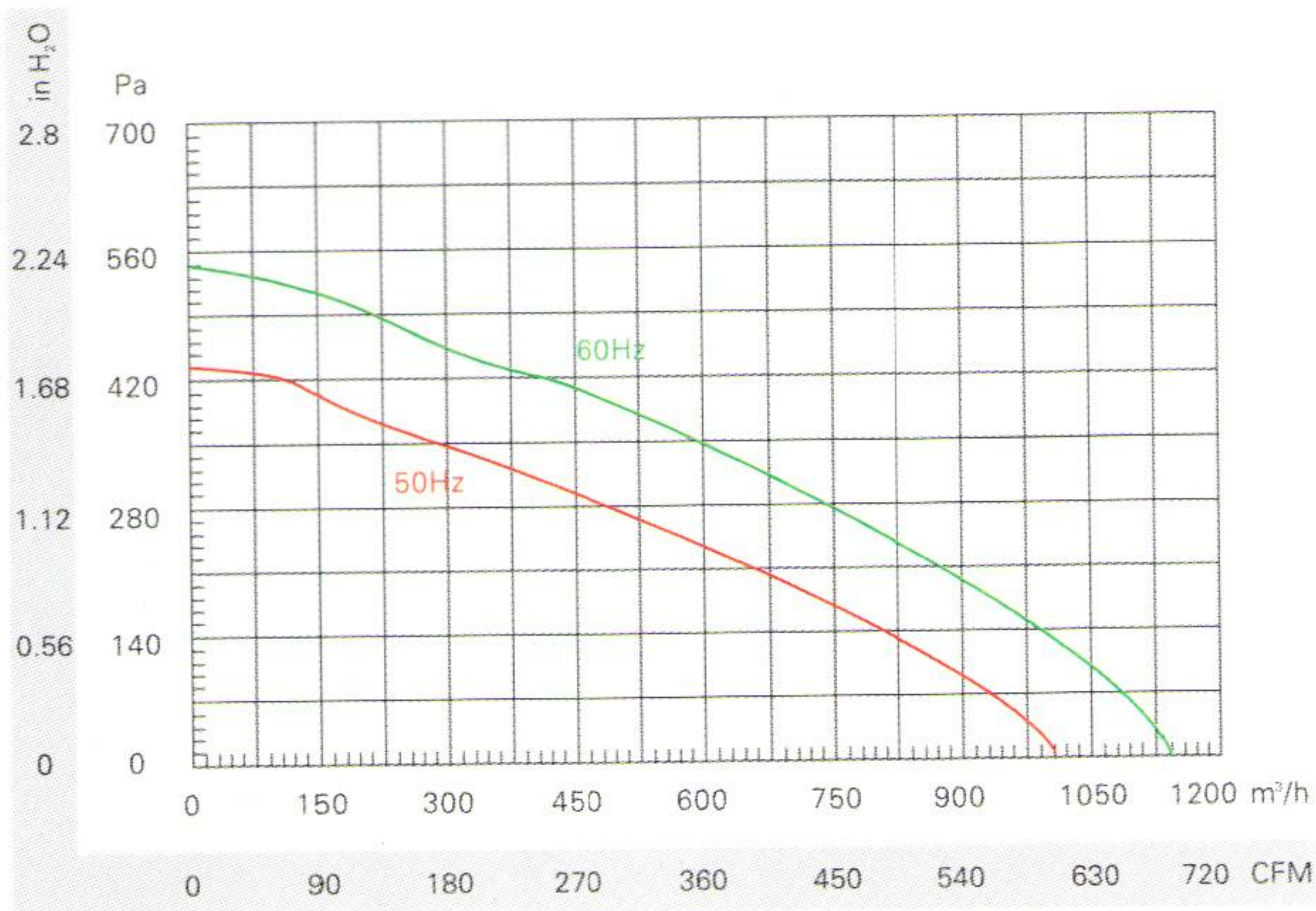


# MIF200



### Description:

- ◆ Motor is external rotor motor, IP 44 with class F insulation
- ◆ Motor voltage: 220–240V, 50/60Hz
- ◆ Two speed motor
- ◆ Bearing: High quality ball bearing
- ◆ The scroll housing made of high quality ST14 steel
- ◆ Thermal overload protection
- ◆ Leather jacket is available to lower the noise and protect the powder coating
- ◆ The using ambient temperature:  $-30^{\circ}\text{C} \sim +60^{\circ}\text{C}$



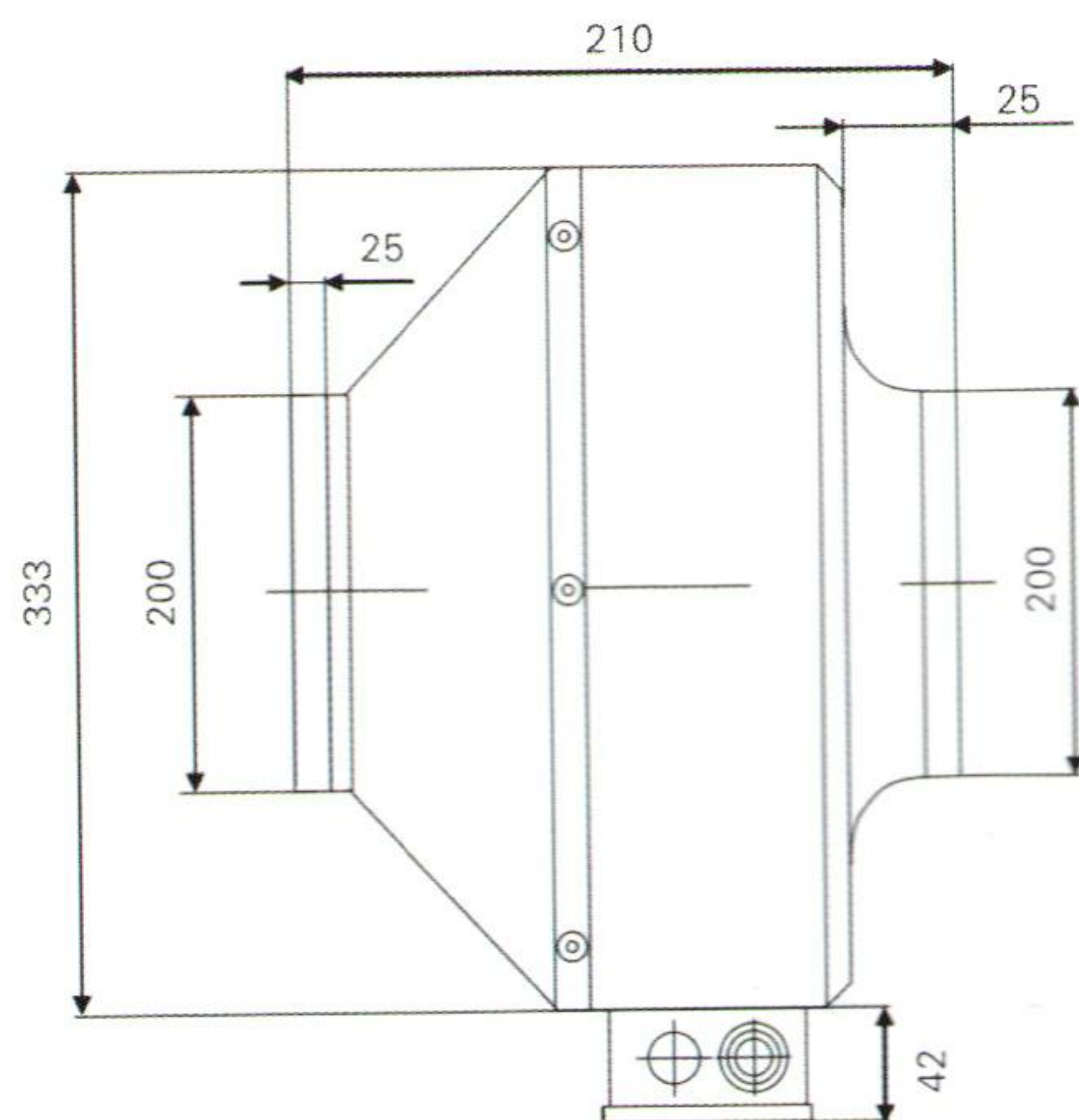
### Performance Data:

Frequency	m³/h @ Pa							
	0	70	140	210	280	350	420	490
50Hz	1000	930	810	660	480	300	105	
60Hz	1150	1080	990	870	750	600	405	225

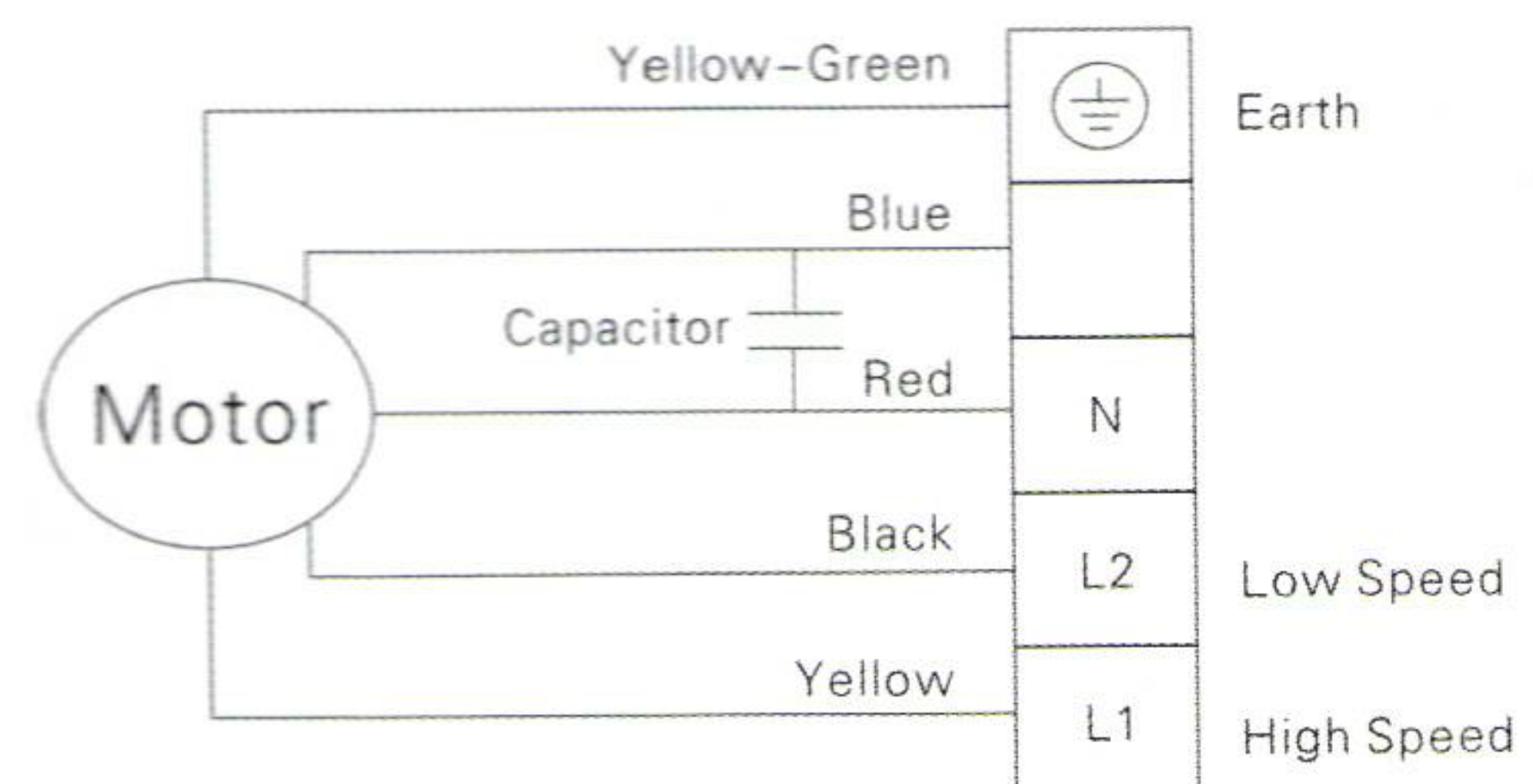
### Specifications:

Model	Voltage (V)	Frequency (Hz)	Power (W)	Current (A)	Speed (RPM)	Air Flow		Noise (dB)	Pressure (Pa)	Weight (Kg)
						m³/h	CFM			
MIF200	220–240	50	155	0.70	2500	1000	588	52	430	5.3
		60	200	0.90	2550	1150	676	53	550	5.3

### Dimension: mm



### Wiring Diagram:

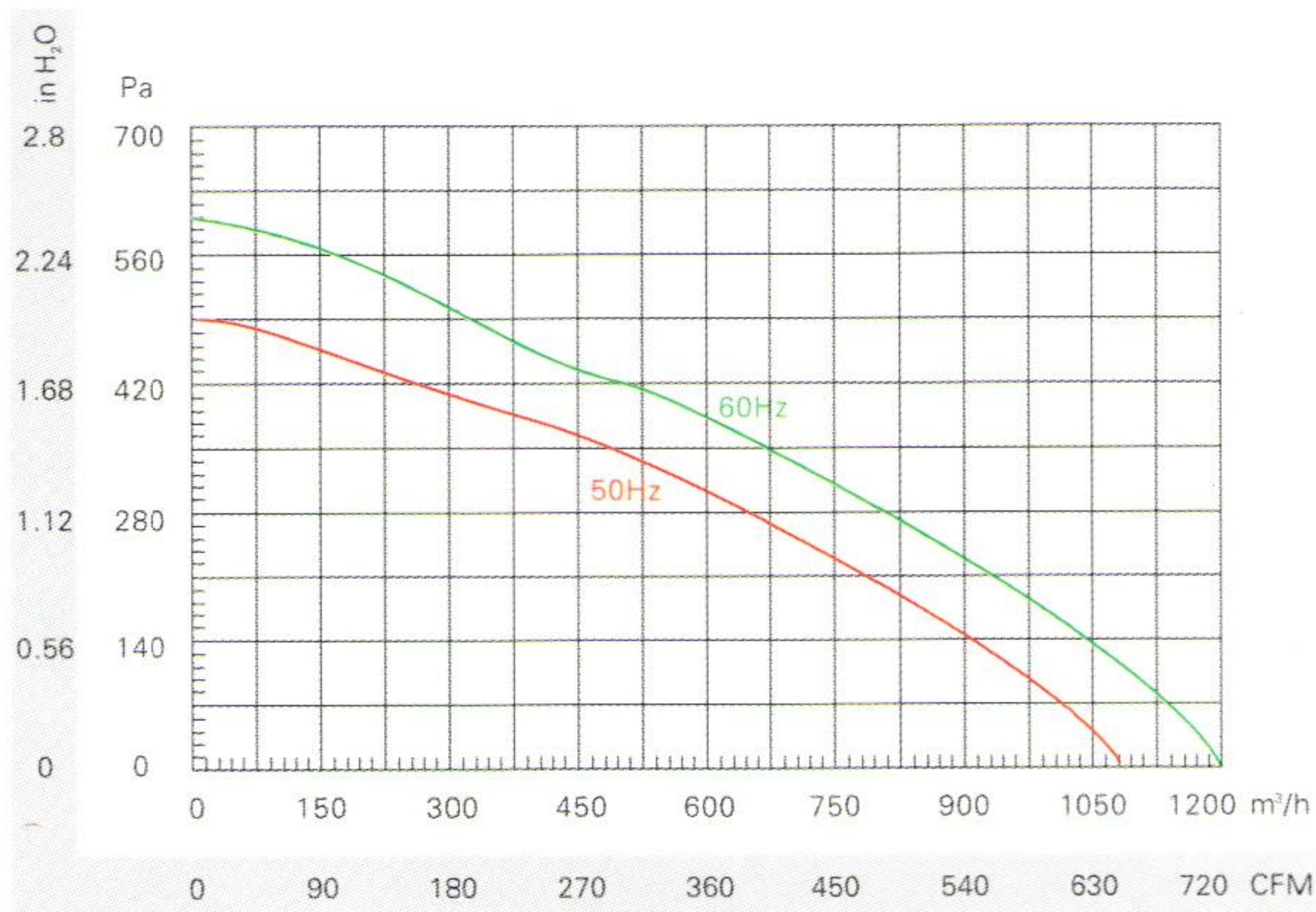


# MIF250



### Description:

- ◆ Motor is external rotor motor, IP 44 with class F insulation
- ◆ Motor voltage: 220-240V, 50/60Hz
- ◆ Two speed motor
- ◆ Bearing: High quality ball bearing
- ◆ The scroll housing made of high quality ST14 steel
- ◆ Thermal overload protection
- ◆ Leather jacket is available to lower the noise and protect the powder coating
- ◆ The using ambient temperature: -30°C ~ +60°C



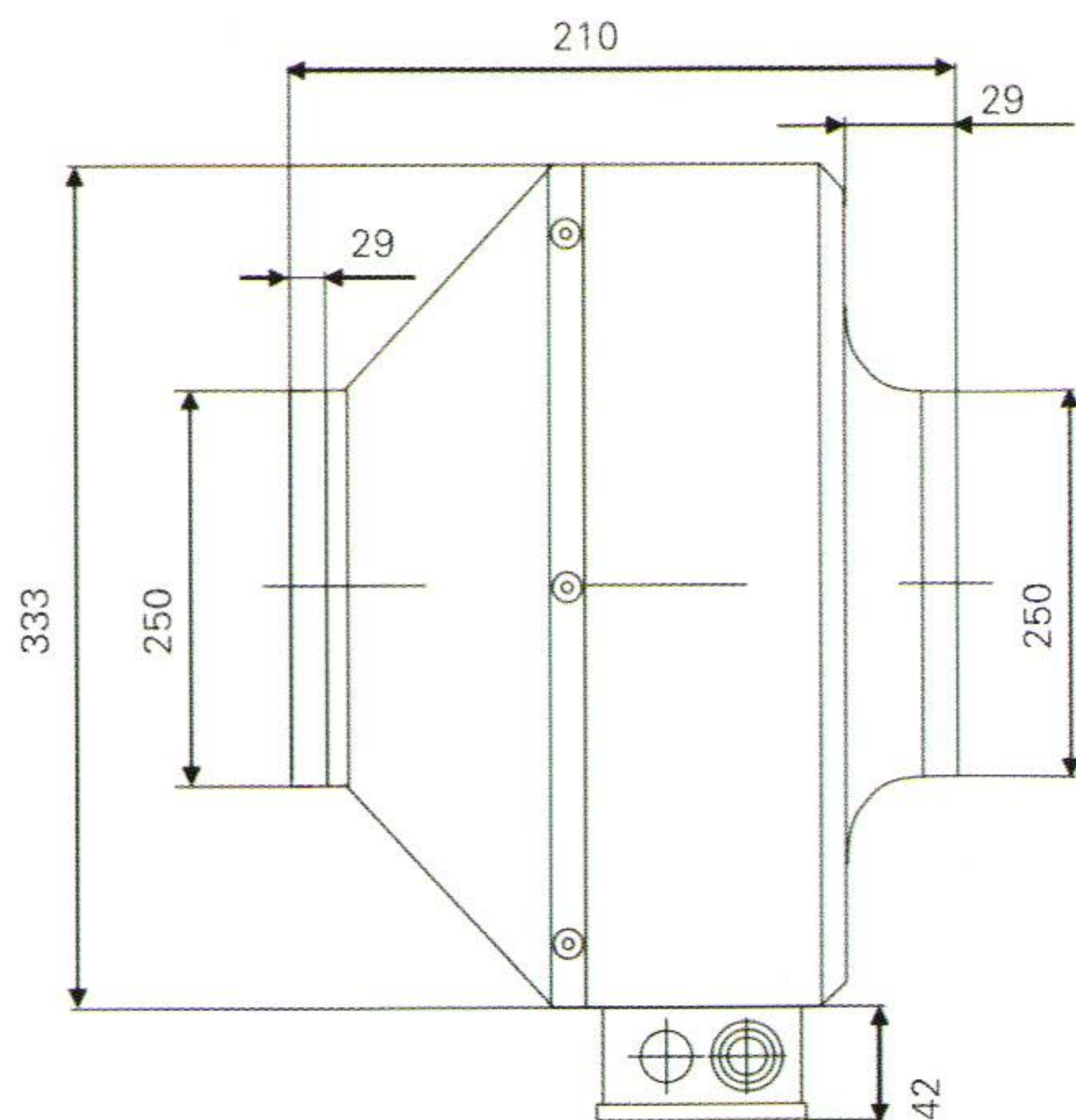
### Performance Data:

Frequency	m <sup>3</sup> /h @ Pa							
	0	70	140	210	280	350	420	490
50Hz	1100	1000	900	780	660	480	270	30
60Hz	1200	1135	1035	930	810	675	510	320

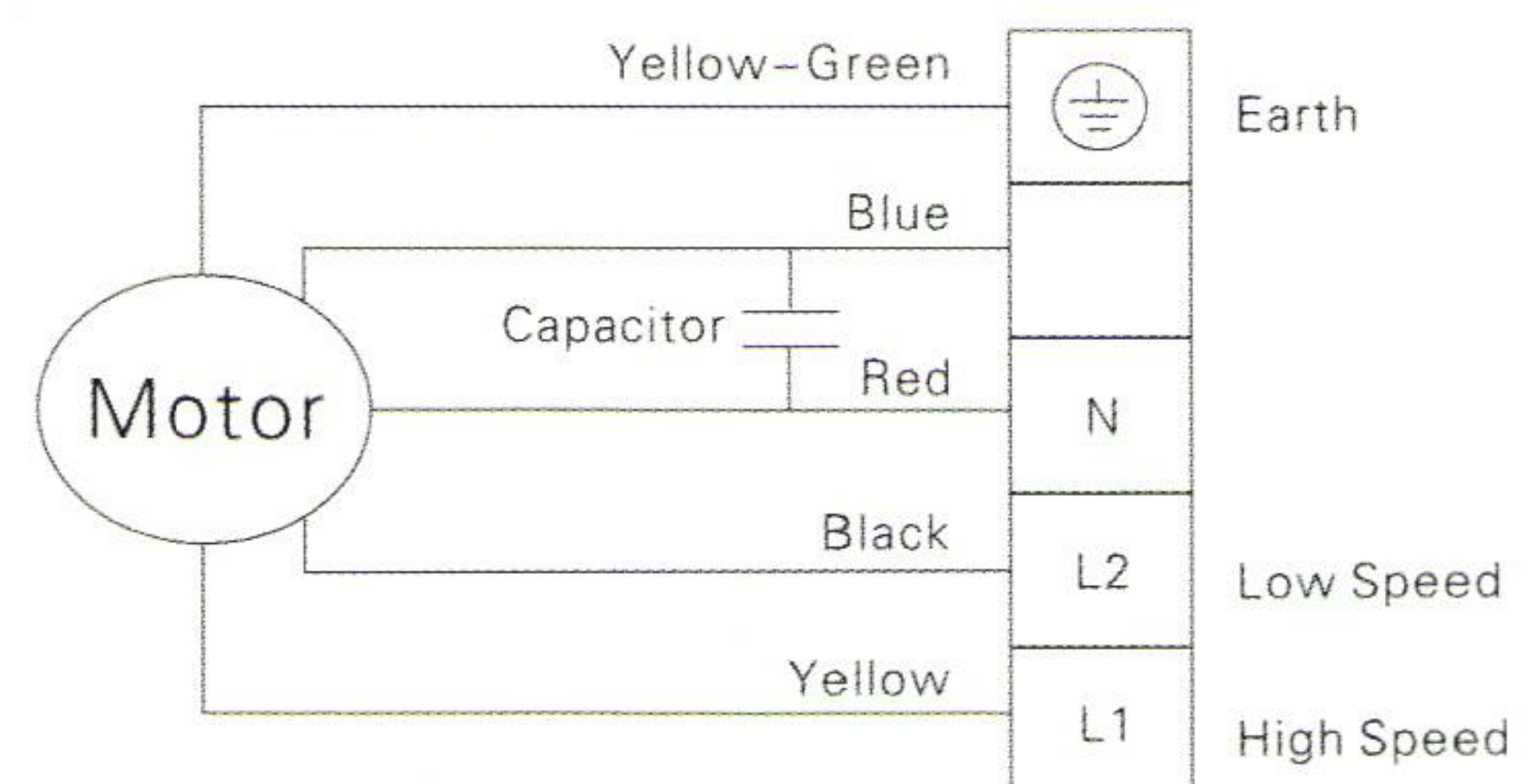
### Specifications:

Model	Voltage (V)	Frequency (Hz)	Power (W)	Current (A)	Speed (RPM)	Air Flow		Noise (dB)	Pressure (Pa)	Weight (Kg)
						m <sup>3</sup> /h	CFM			
MIF250	220-240	50	160	0.71	2500	1100	647	52	490	5.5
		60	210	0.95	2550	1200	706	53	600	5.5

### Dimension: mm



### Wiring Diagram:

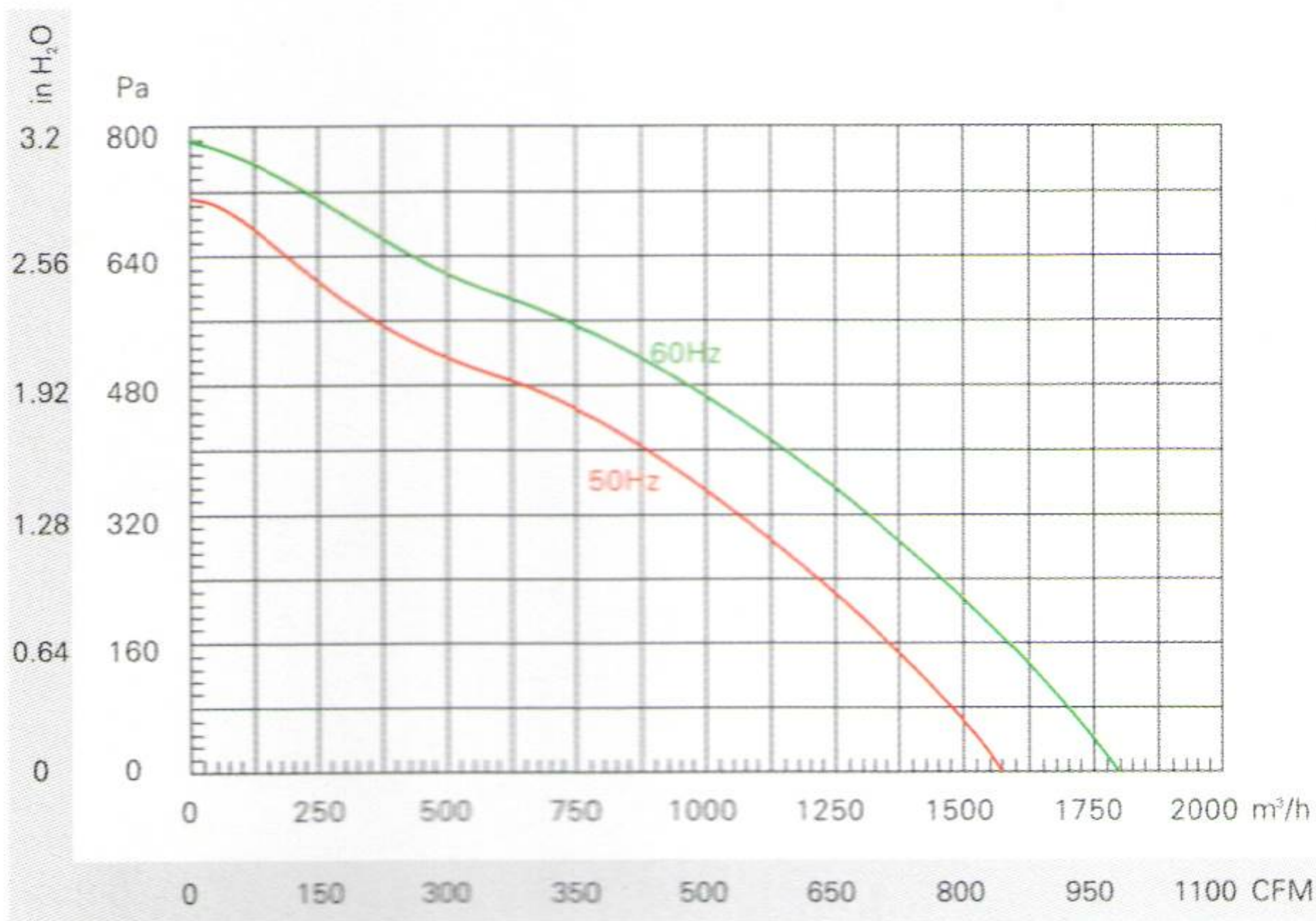


# MIF315



### Description:

- ◆ Motor is external rotor motor, IP 44 with class F insulation
- ◆ Motor voltage: 220-240V, 50/60Hz
- ◆ Two speed motor
- ◆ Bearing: High quality ball bearing
- ◆ The scroll housing made of high quality ST14 steel
- ◆ Thermal overload protection
- ◆ Leather jacket is available to lower the noise and protect the powder coating
- ◆ The using ambient temperature: -30°C ~ +60°C



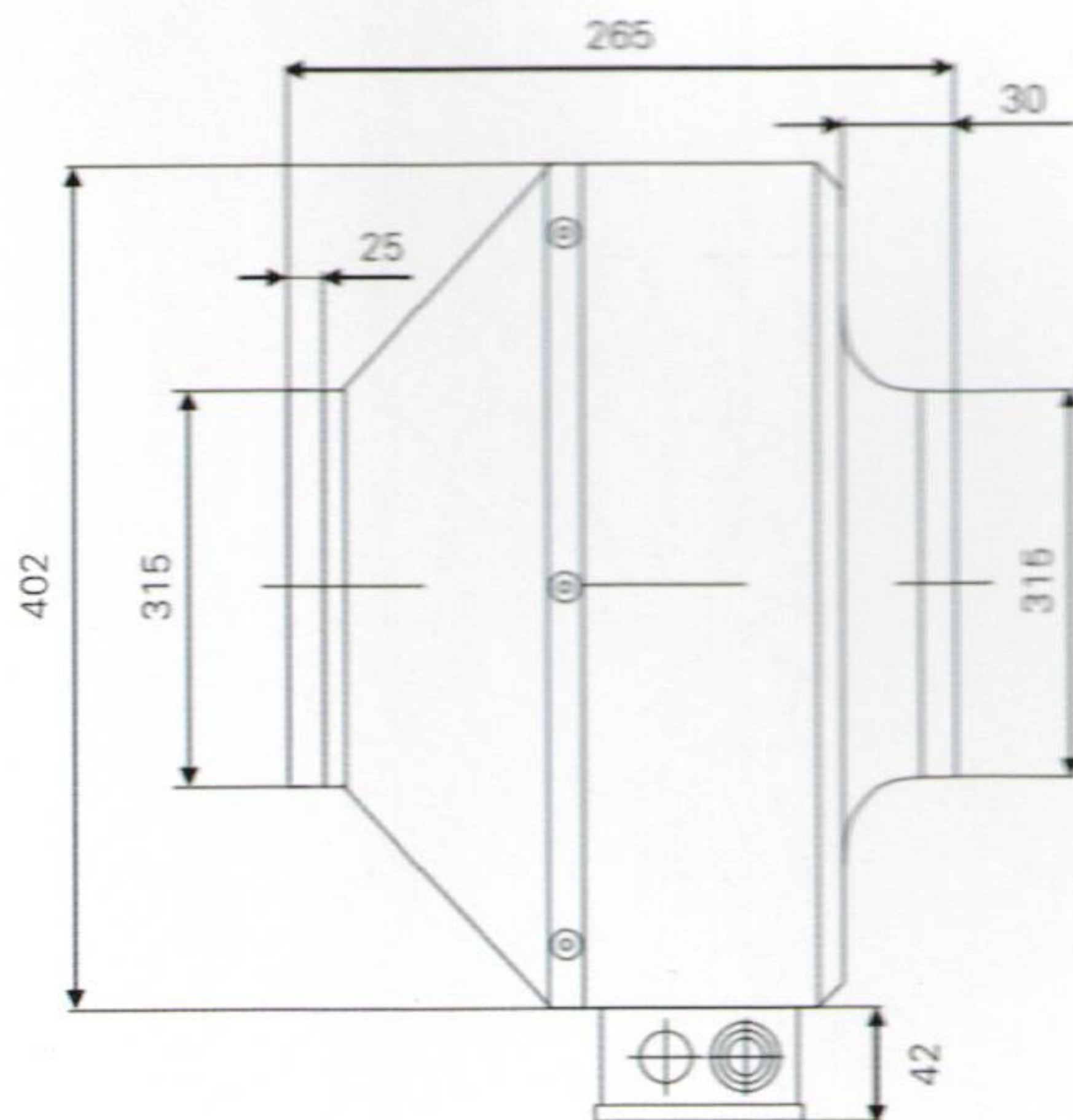
### Performance Data:

Frequency	m³/h @ Pa									
	0	80	160	240	320	400	480	560	640	720
50Hz	1600	1475	1350	1200	1060	875	630	360	200	
60Hz	1800	1700	1575	1450	1300	1150	950	740	425	240

### Specifications:

Model	Voltage (V)	Frequency (Hz)	Power (W)	Current (A)	Speed (RPM)	Air Flow		Noise (dB)	Pressure (Pa)	Weight (Kg)
						m³/h	CFM			
MIF315	220-240	50	200	0.86	2450	1600	941	53	710	6.7
		60	235	1.0	2550	1800	1059	53	790	6.7

### Dimension: mm



### Wiring Diagram:

