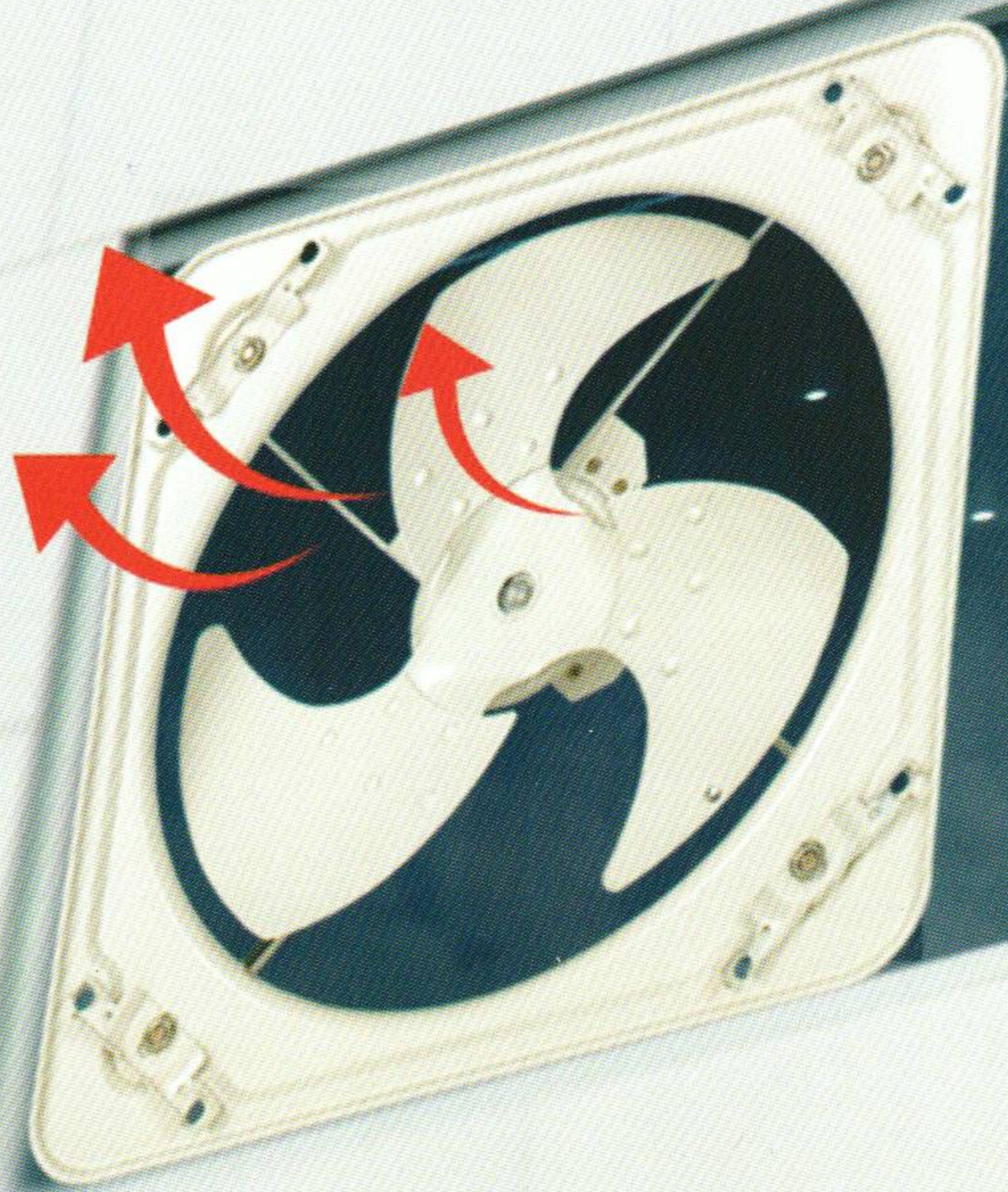




SINCE 2005
METAL HIGH PRESSURE VENTILATING FAN



COC CE





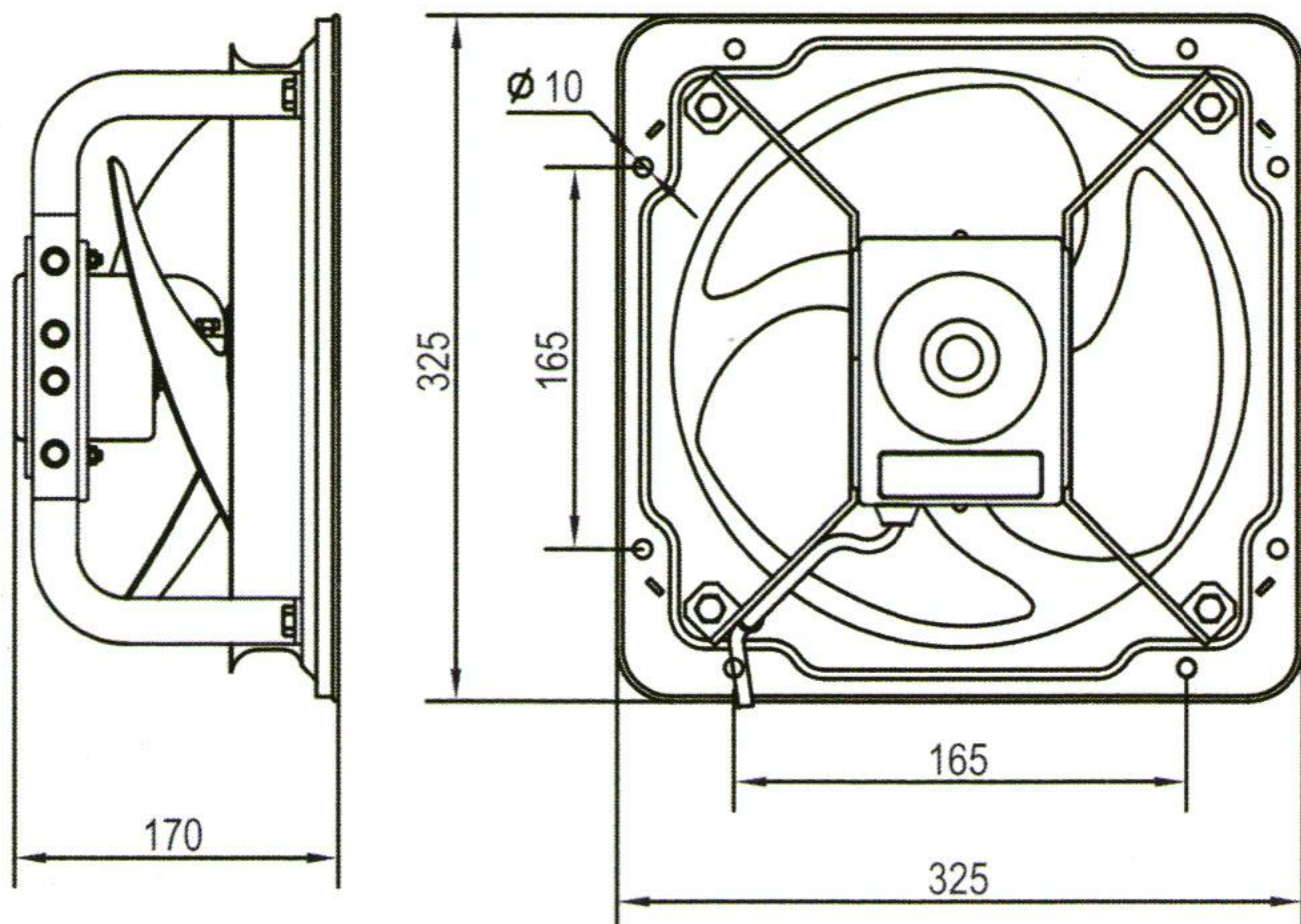
Metal High Pressure Ventilating Fan

HPF-25

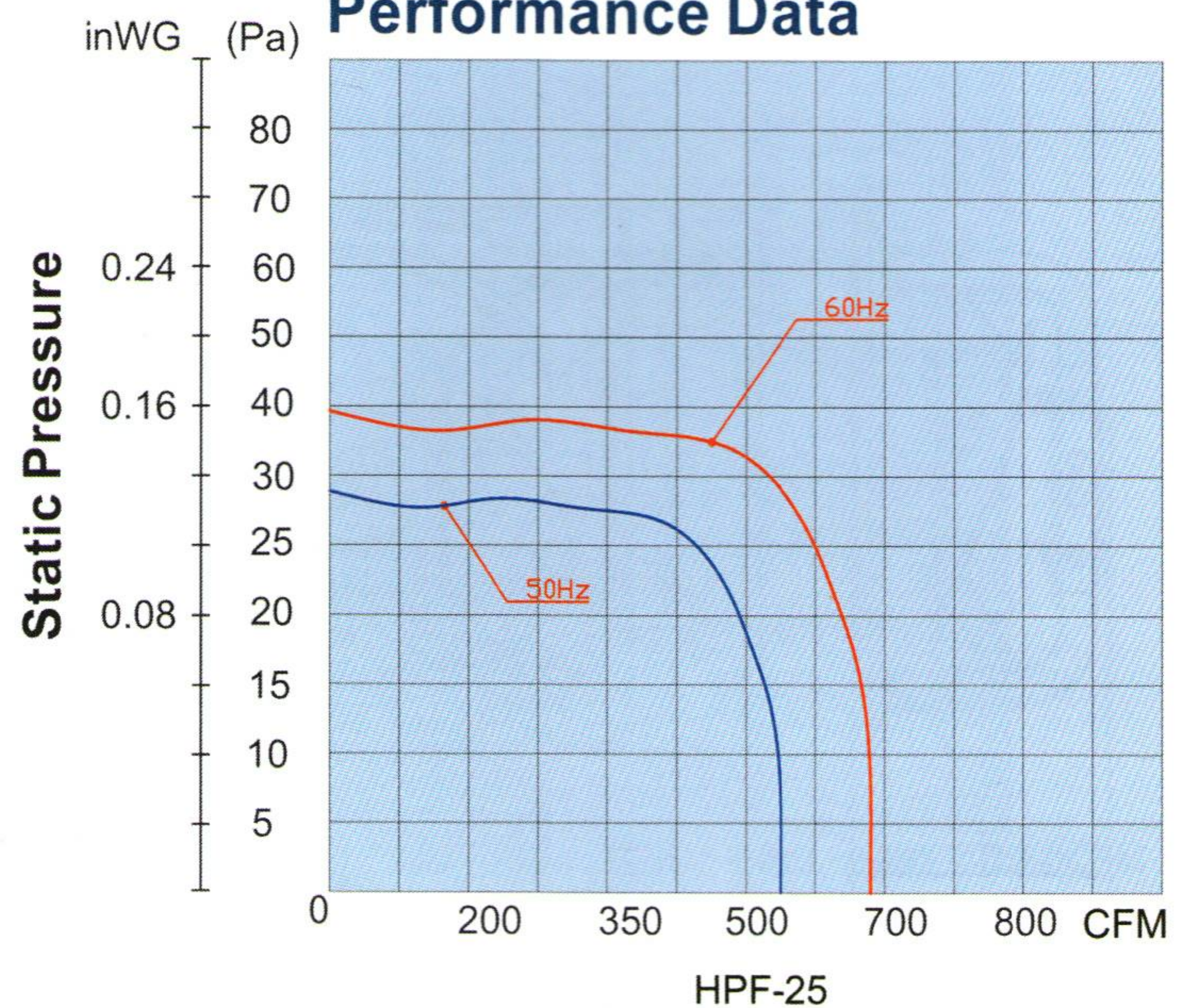
Bell mouth construction with distinctive wave shape blade
 Durable powder coating
 High performance motor with thermal cut-off
 Able to be used over an ambient temperature range from -10°C to +50°C
 Possible to install horizontally or vertically



Dimension



Performance Data



Specification 220~240V 50Hz/60Hz

SIZE (mm)	FREQUENCY (HZ)	CURRENT (A)	POWER INPUT (W)	SPEED (r/min)	NOISE dB(A)	AIR VOLUME (m ³ /min)	AIR VOLUME (CFM)	N.W. (Kgs)
250	50	0.16-0.17	35-40	1380	48	18.5	653	4.0
	60	0.21-0.23	46-55	1570	50	20.16	712	



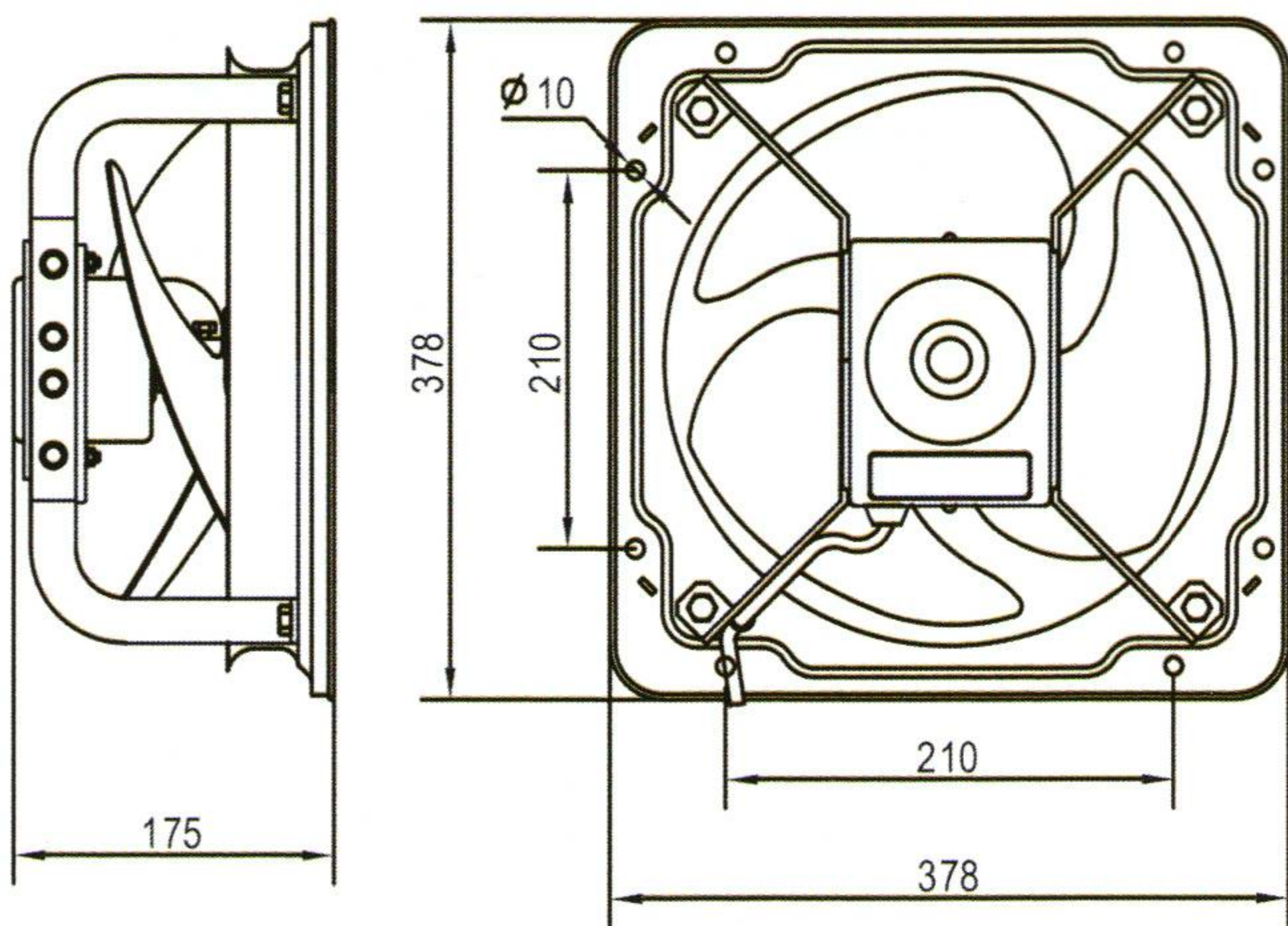
Metal High Pressure Ventilating Fan

HPF-30

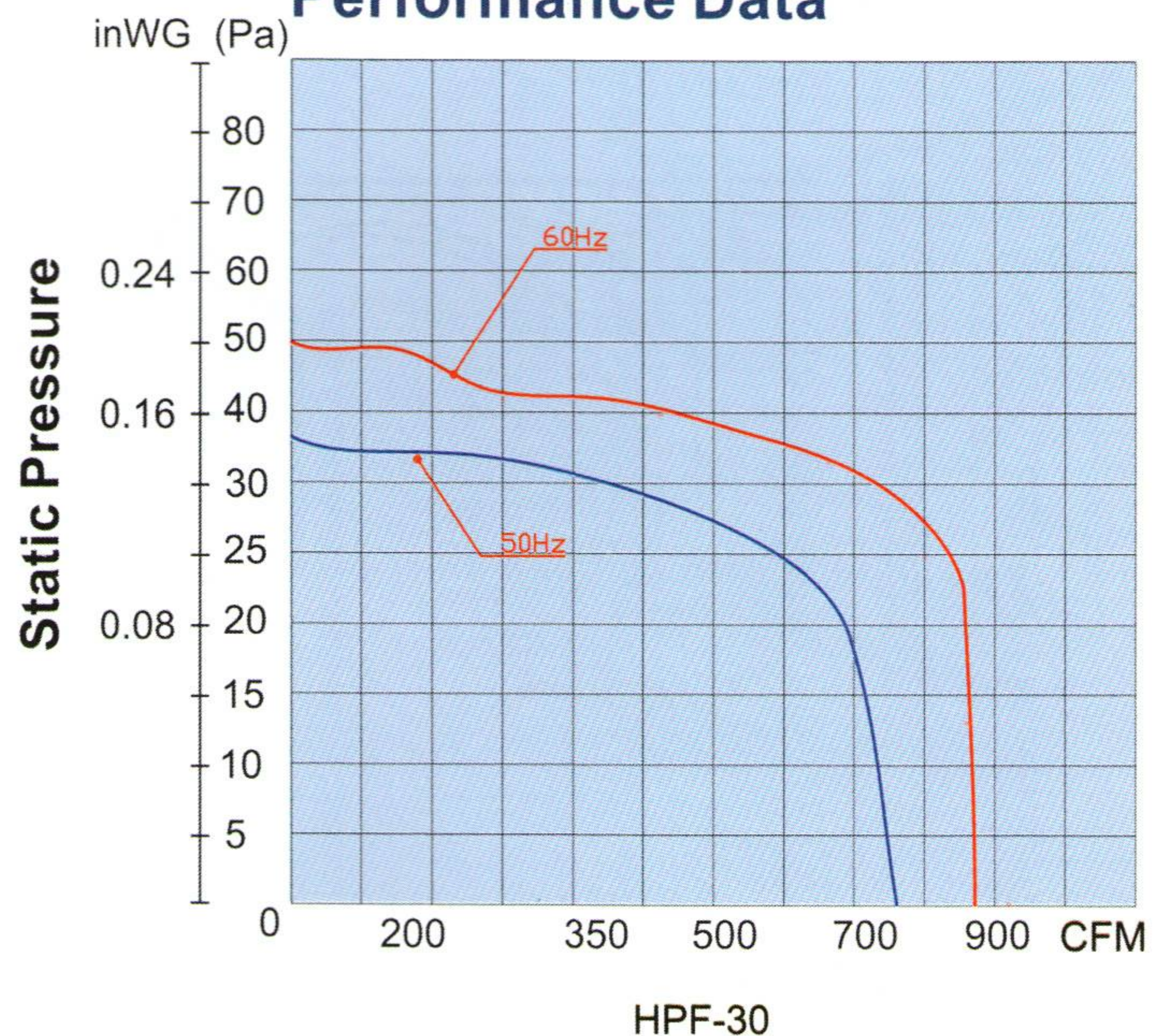
Bell mouth construction with distinctive wave shape blade
 Durable powder coating
 High performance motor with thermal cut-off
 Able to be used over an ambient temperature range from -10°C to +50°C
 Possible to install horizontally or vertically



Dimension



Performance Data



Specification 220~240V 50Hz/60Hz

SIZE (mm)	FREQUENCY (HZ)	CURRENT (A)	POWER INPUT (W)	SPEED (r/min)	NOISE dB(A)	AIR VOLUME (m ³ /min)	AIR VOLUME (CFM)	N.W. (Kgs)
300	50	0.23-0.25	52-60	1390	53	26.73	944	4.7
	60	0.33-0.35	72-85	1566	55	30.74	1085	



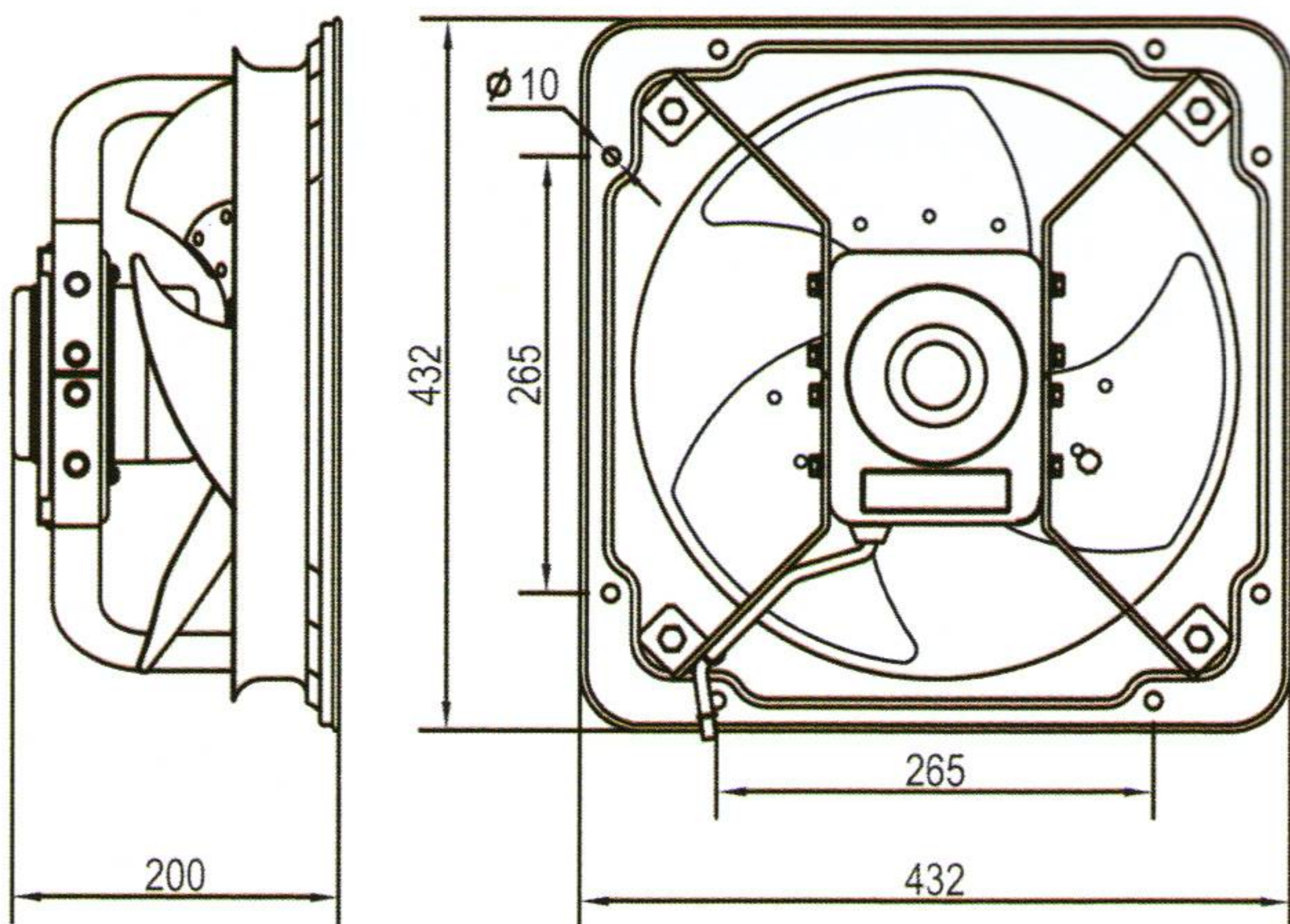
Metal High Pressure Ventilating Fan

HPF-35

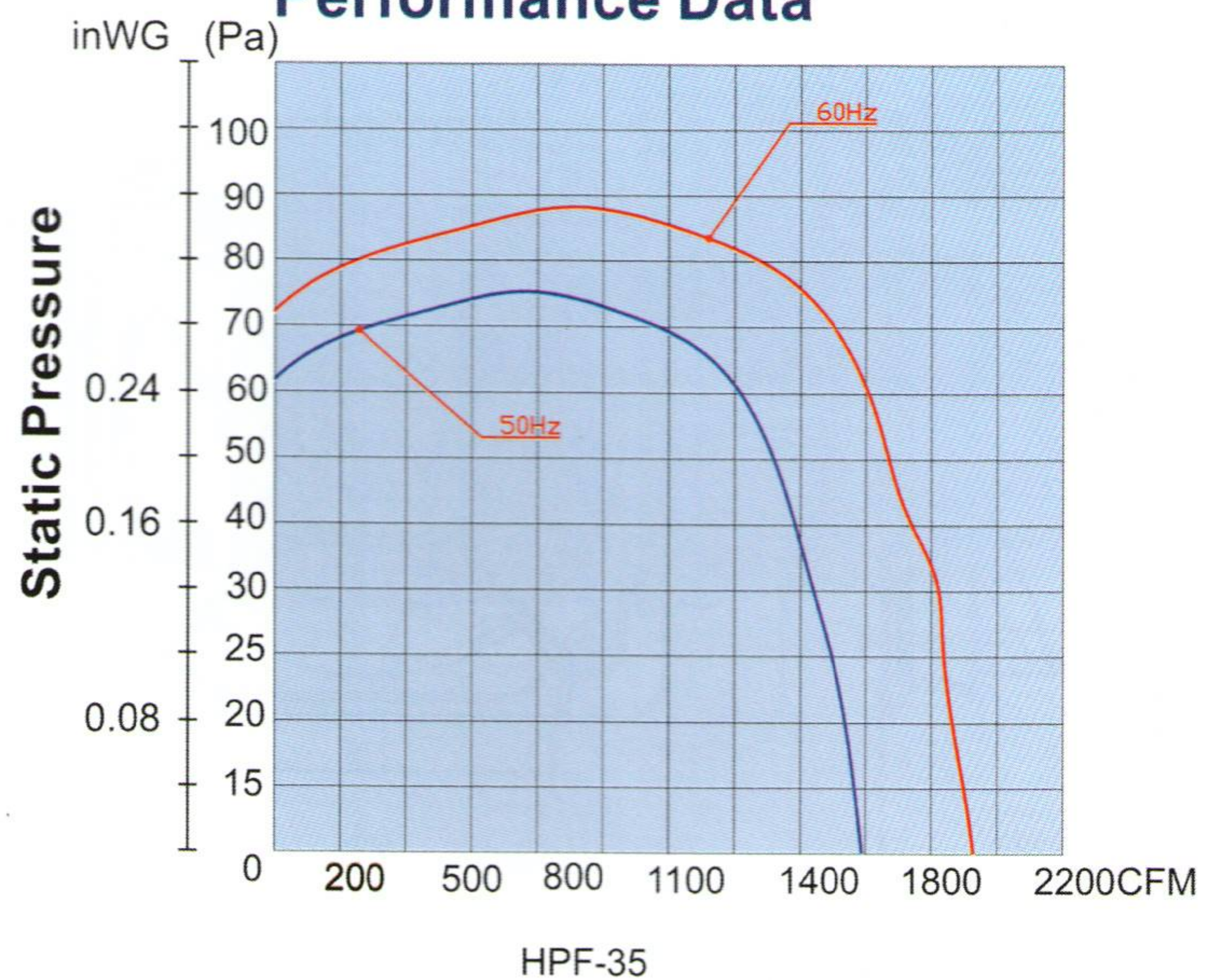
- Bell mouth construction with distinctive wave shape blade
- Durable powder coating
- High performance motor with thermal cut-off
- Able to be used over an ambient temperature range from -10°C to +50°C
- Possible to install horizontally or vertically



Dimension



Performance Data



Specification 220~240V 50Hz/60Hz

SIZE (mm)	FREQUENCY (HZ)	CURRENT (A)	POWER INPUT (W)	SPEED (r/min)	NOISE dB(A)	AIR VOLUME (m ³ /min)	AIR VOLUME (CFM)	N.W. (Kgs)
350	50	0.7-0.76	125-140	1415	61	33	1165	7.2
	60	0.85-0.86	170-190	1630	64	37.9	1340	



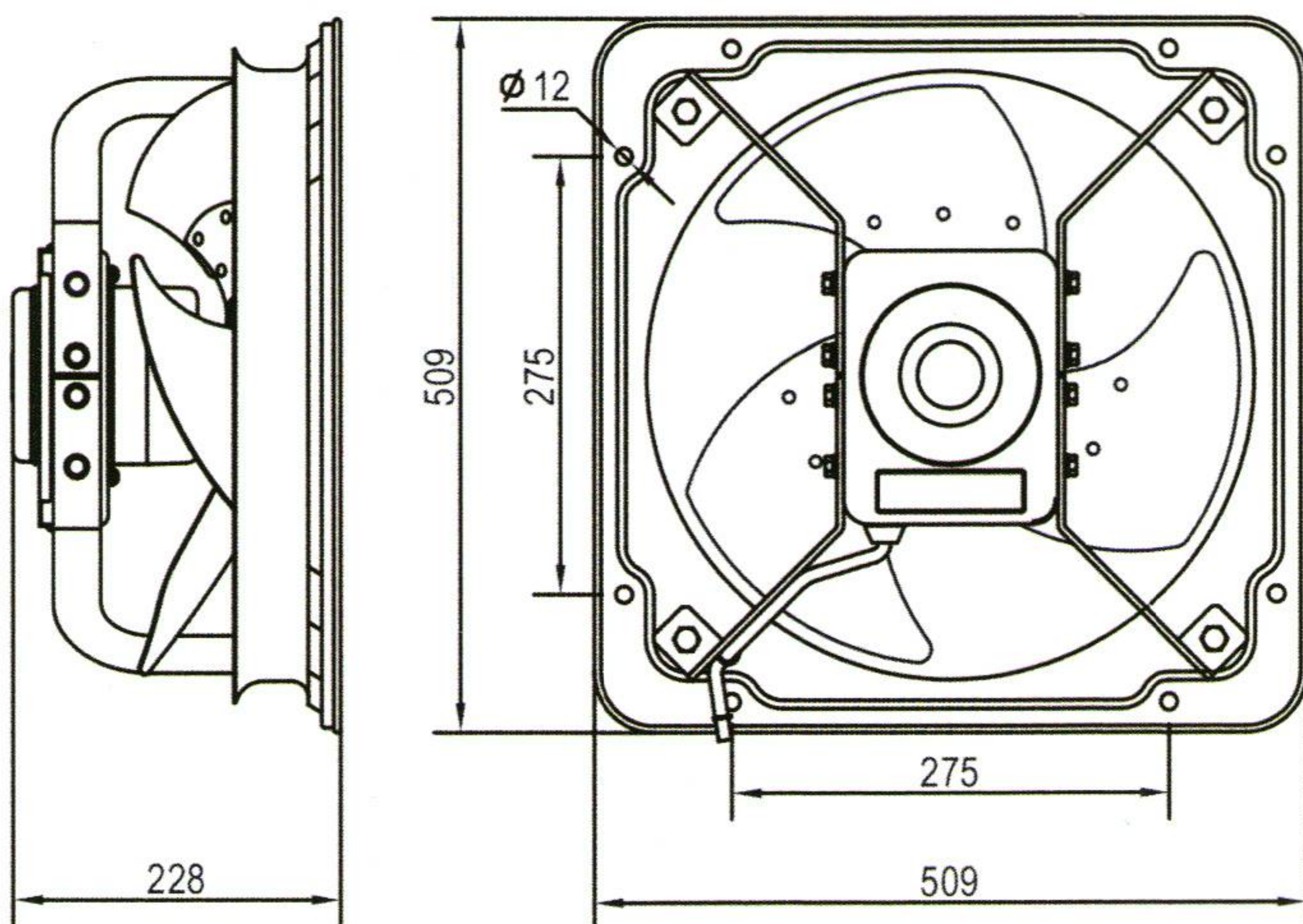
Metal High Pressure Ventilating Fan

HPF-40

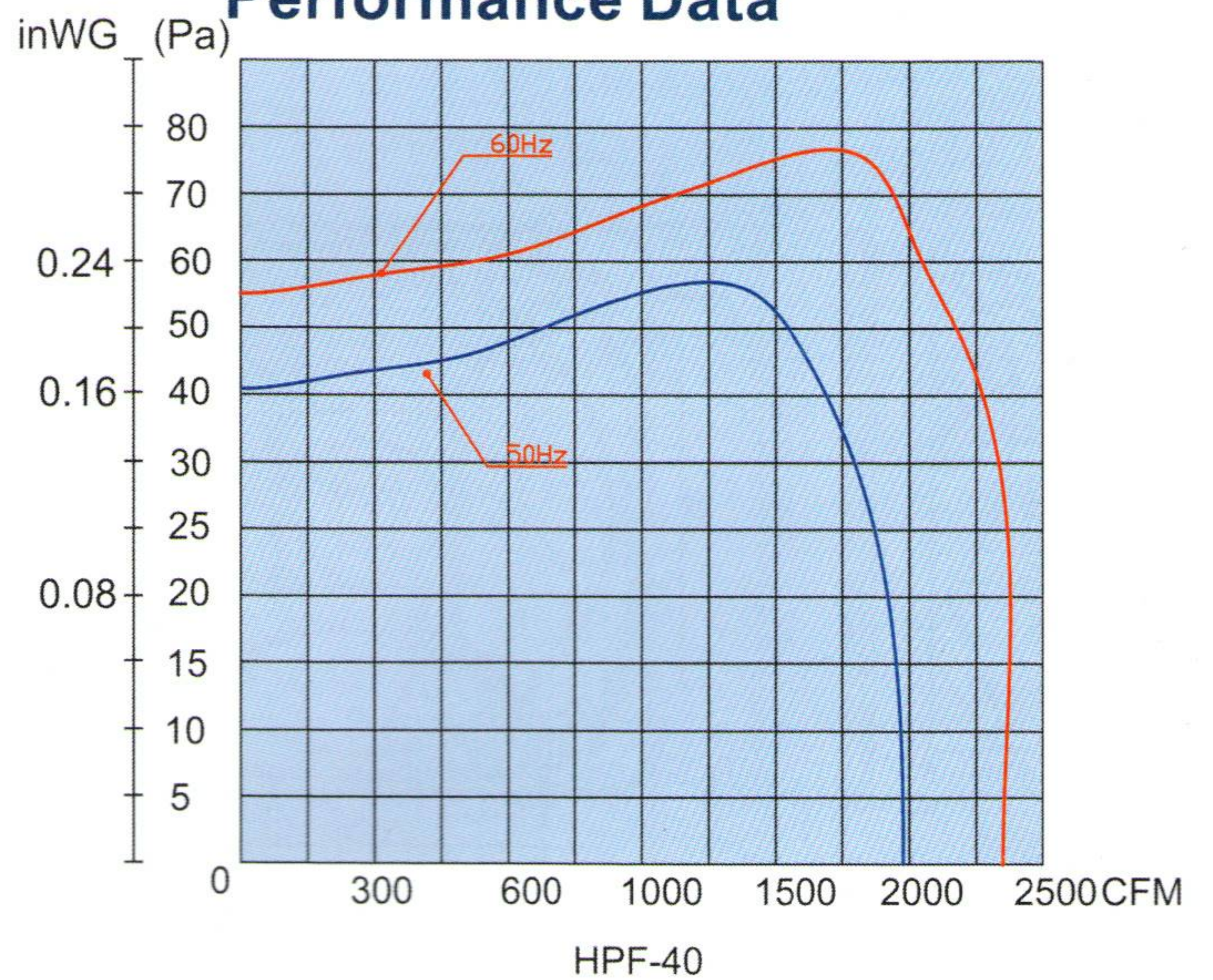
Bell mouth construction with distinctive wave shape blade
 Durable powder coating
 High performance motor with thermal cut-off
 Able to be used over an ambient temperature range from -10°C to +50°C
 Possible to install horizontally or vertically



Dimension



Performance Data



Specification 220~240V 50Hz/60Hz

SIZE (mm)	FREQUENCY (HZ)	CURRENT (A)	POWER INPUT (W)	SPEED (r/min)	NOISE dB(A)	AIR VOLUME (m³/min)	AIR VOLUME (CFM)	N.W. (Kgs)
400	50	1.2-1.5	190-220	1386	63	71	2507	9.0
	60	1.3-1.5	250-290	1500	68	81.6	2881	



GCC



Branch of Bin Mahri Trading Est.

Baladiyah St., Al-Suhaili Commercial Center (1), Jeddah, S.A.

E-mail: hbmvent@hbm-sa.com

Telephone: +966 2842402